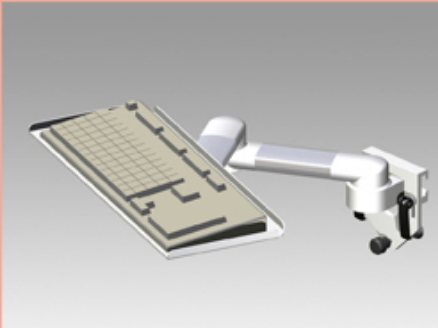
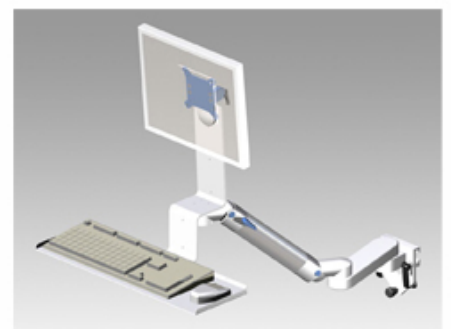
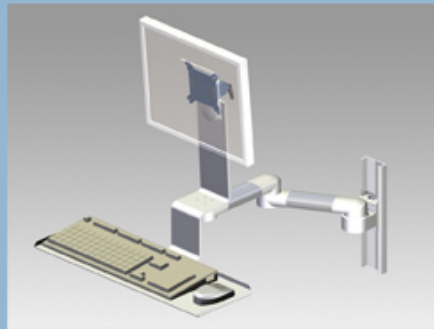
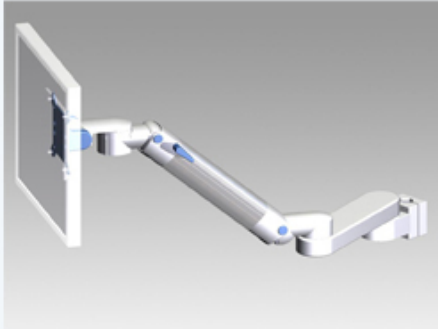


Effortlessly orient and position your medical display or monitoring device

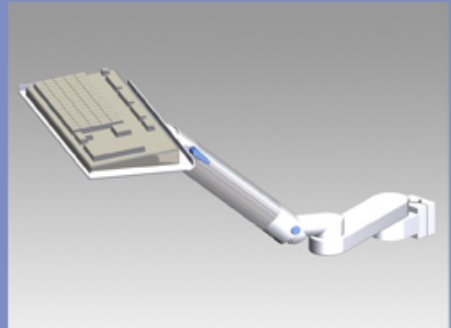
Effortlessly orient and position your medical display or monitoring device



WorkiMed[®]
WORK PLACE TECHNOLOGY

Working with cutting-edge medical technology, we go beyond basic infection control requirements to earn and keep our customers' trust and ensure patient safety.

www.ergonoflex.com



Regarded as the world's best in advanced hygiene control, our mounting systems include cable integration, a 5-year maintenance-free guarantee and medical grade compliance.

