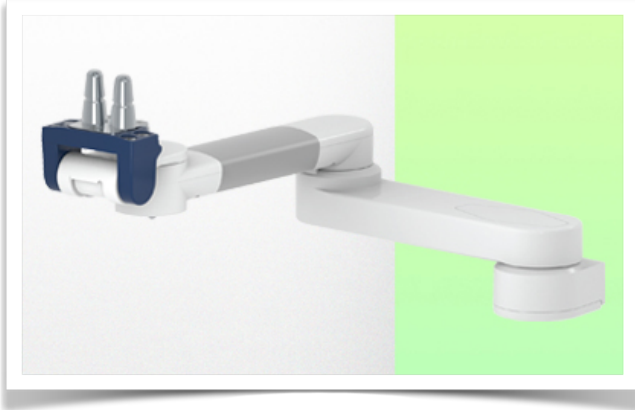


**Presentation**

**Part Number: WM 260.108CT**

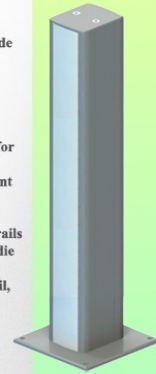
**2 x 300 mm swivelling Horizontal Medical Arm for monitoring Philips Intellivue Séries (Heavy Duty applications up to 18 Kg), Table column mounting.**



Cette colonne possède deux rails de fixation pour les différents éléments qui y seront fixés. (1 rail à l'avant de la colonne, 1 rail à l'arrière)

This column has two fixing rails for the different elements that will be fixed to it (1 rail at the front of the column, 1 rail at the back)

Deze zuil heeft twee bevestigingsrails voor de verschillende elementen die eraan bevestigd zullen worden (1 rail aan de voorkant van de zuil, 1 rail aan de achterkant)



**2 x 300 mm swivelling Horizontal Medical Arm for monitoring Philips Intellivue Séries (Heavy Duty applications up to 18 Kg), Table column mounting.**

This dual 594 mm Horizontal Arm allows the monitor to be fixed, oriented and adjusted perfectly. It is coated with an anti-microbial agent for hygiene and cleaning down to the smallest detail. Its modern design has been specially developed for healthcare environments.

**Technical specifications:**

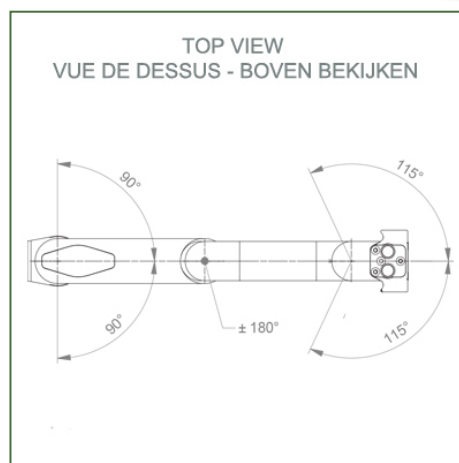
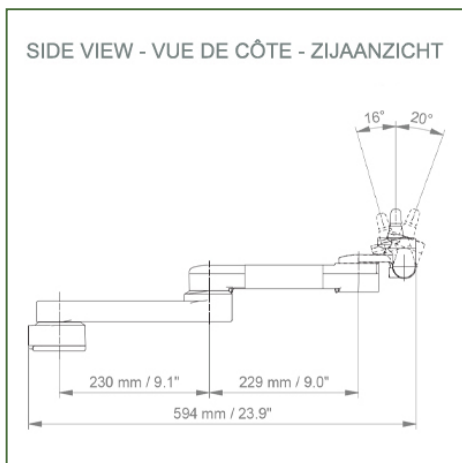
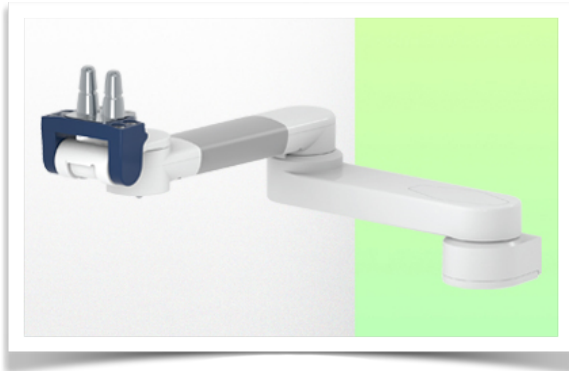
- \* Integral cable management
- \* For heavy-duty applications
- \* Optional table column mounting available in a range of heights (500 - 300 mm). These columns can be easily cut to size. All cables are also routed through the column (see options on following pages)
- \* This 594 mm Double Horizontal Arm simply slides into the column rail, adjusts to the required height and is fixed in place. It has no height adjustment
- \* The head of this arm complies with the mounting standard for Philips Intellivue series monitors weighing up to 18 Kg.
- \* Monitor tilt: 20° down and 12° up
- \* Monitor rotation: 115° right, 115° left.
- \* Arm rotation: 90° right, 90° left.
- \* Total length: 618 mm
- \* Colour: RAL 5013 cobalt blue and RAL 9016 traffic white
- \* Warranty: 5 years



**Technical specifications**

**Part Number: WM 260.108CT**

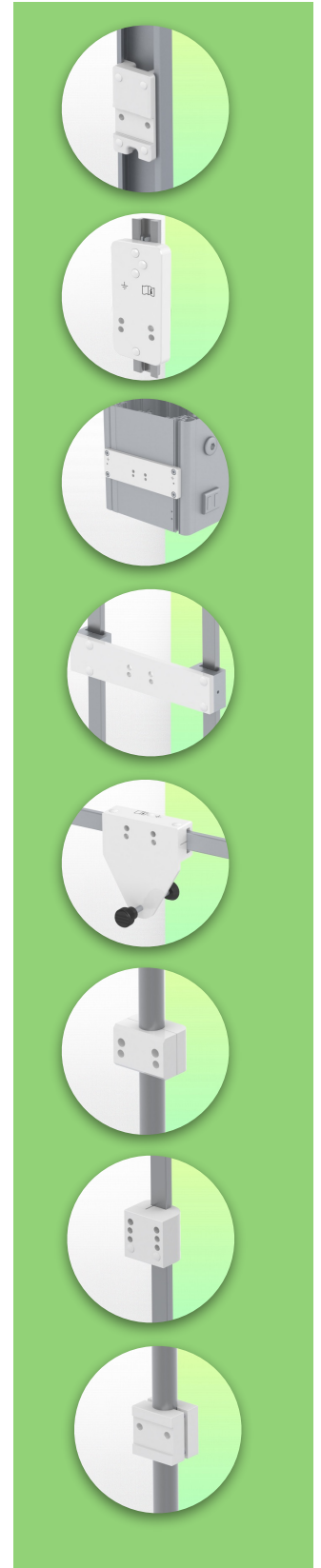
**2 x 300 mm swivelling Horizontal Medical Arm for monitoring Philips Intellivue Séries (Heavy Duty applications up to 18 Kg), Table column mounting.**



- Monitor fitting:** Philips Intellivue series
- Colour:** Decorative parts: RAL 5013 cobalt blue
- Aluminium parts:** RAL 9016 traffic white
- Max. load capacity of support arm:** 18 kg
- Monitor fitting max. load:** 18 Kg
- Product weight:** 3,1 Kg

**Product strengths:**

Non-height-adjustable arm. Swivel arms and extended swivel arms offer full cable integration and easy cleaning for infection control in all critical care areas of the clinical environment. Our 5-year guarantee ensures reliable, trouble-free and maintenance-free operation. The swivel function at the point of attachment and the tilt and swivel function of the monitor adaptation provide optimum positioning of your unit. The extended swivel arm is a two-part arm with a central pivot point between the two arm sections. All bottom-mounted monitors have the safety feature of a 20° tilt stop.



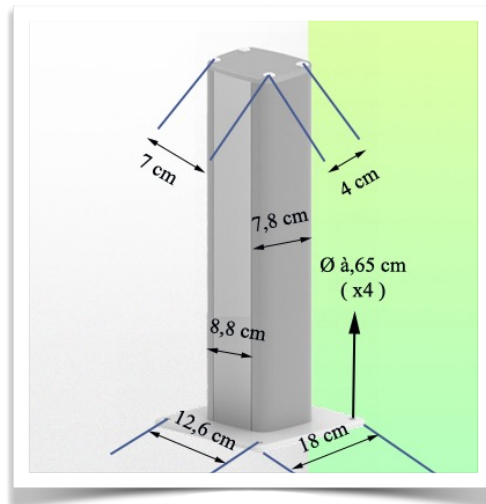
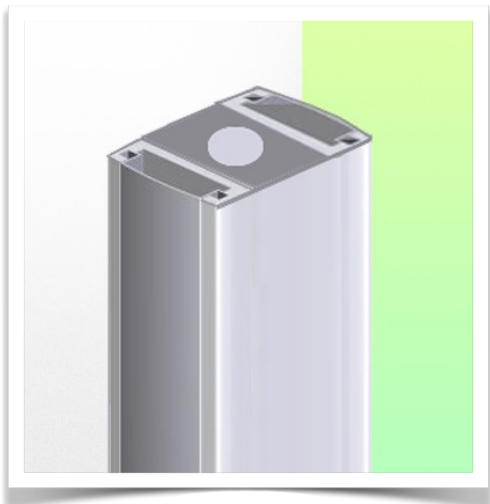
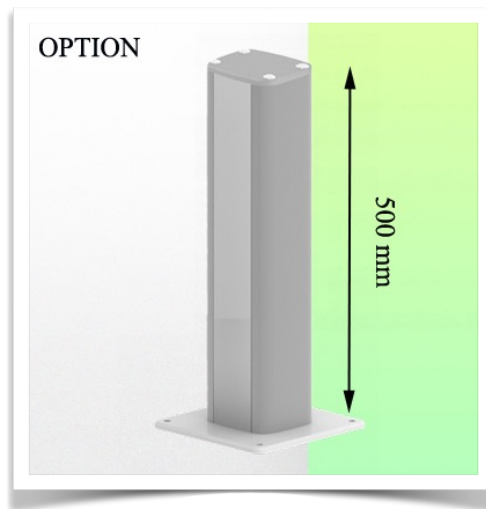
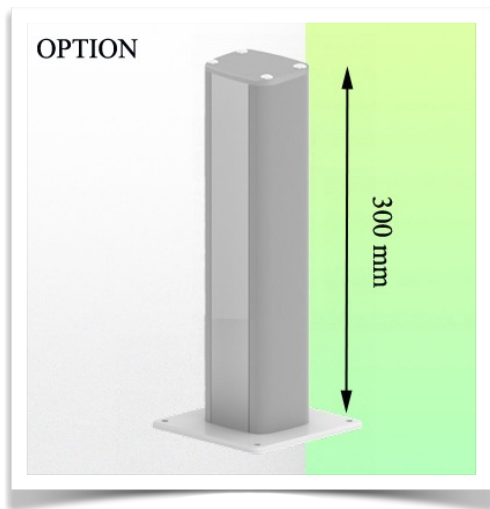
**Installation information - Column slide rail**

**Part Number: WM 260.108CT**

**2 x 300 mm swivelling Horizontal Medical Arm for monitoring Philips Intellivue Séries (Heavy Duty applications up to 18 Kg), Table column mounting.**

**Table column:**

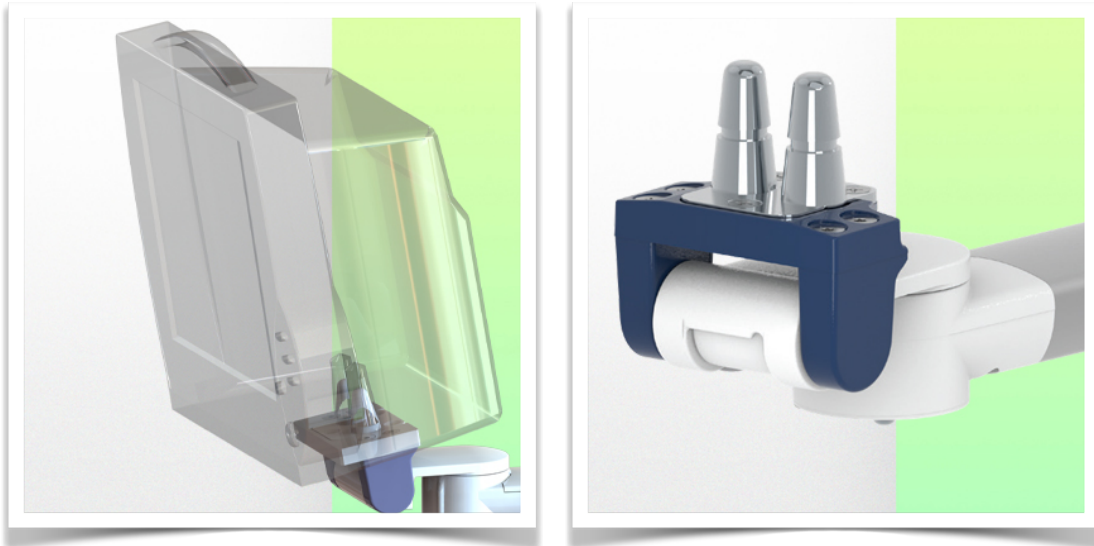
To install this medical arm, you need to use one of our medical columns. These are available in standard heights of 500 mm and 300 mm. Custom heights are available on request. Slide covers and end caps are supplied with every order.



**Presentation**

**Part Number: WM 260.108CT**

**2 x 300 mm swivelling Horizontal Medical Arm for monitoring Philips Intellivue Séries (Heavy Duty applications up to 18 Kg), Table column mounting.**



**Adaptation monitoring Philips Intellivue series**

All our medical arms can be fitted with this adaptation, some illustrations of which can be found here.

