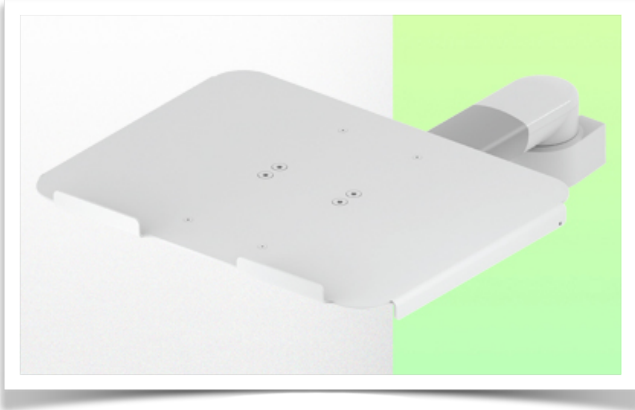


Presentation

Référence: WM 336.109

300 mm Laptop Horizontal Medical Arm, wall-mounted on vertical sliding rail



300 mm Laptop Horizontal Medical Arm, wall-mounted on vertical sliding rail

This 300 mm swivel medical arm allows you to fix, orientate and adjust your laptop perfectly. It is coated with an anti-microbial agent to ensure hygiene and cleanliness down to the smallest detail. Its modern design has been specially developed for healthcare environments.

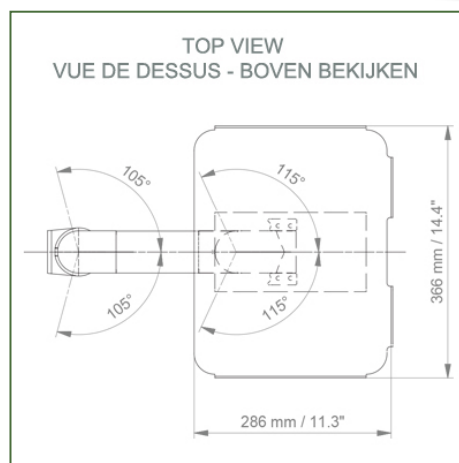
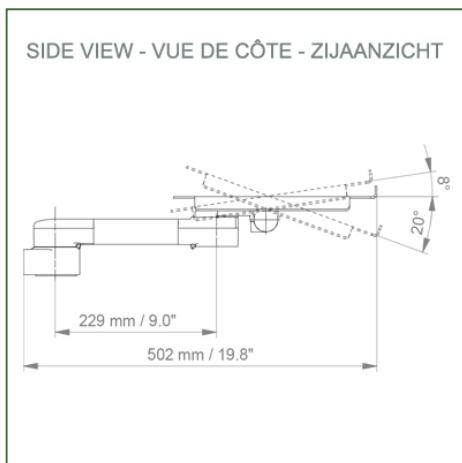
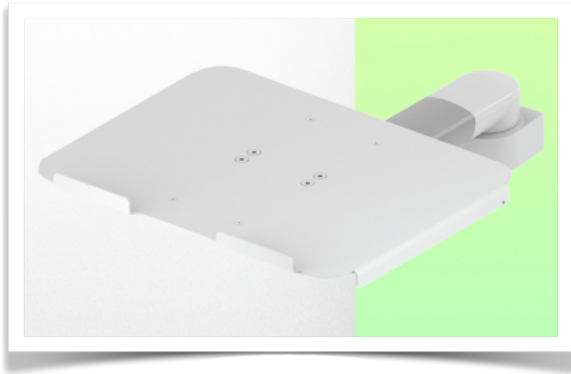
Technical specifications:

- * Integrated cable management
- * Mounting on optional Vertical Wall Slide Rail, available in various lengths available in lengths of 480, 720, 960 and 1200 mm. These wall tracks can easily be cut to the required size. All cables also run through the wall rail. (See Option on following pages)
- * This 300 mm swivel arm simply slides into the wall track and then adjusts to the required height.
- * The laptop stand supplied in this version has the following dimensions dimensions: 360 x 290 mm
- * The weight of the arm is 17 kg and of the tray 10 kg
- * Laptop support rotation: 115° to the right and to the left, 20° tilt
- * Arm rotation: 105° to the right and to the left.
- * Total length 502 mm * Colour RAL 7024 (Graphite Grey) and White
- * All our medical arms are CE, ROHS, Medical Grade, MDD 93/42 ECC compliant.
- * Warranty: 5 years

Technical specifications

Part Number: WM 336.109

300 mm Laptop Horizontal Medical Arm, wall-mounted on vertical sliding rail



Laptop stand dimensions: 360 x 280 mm

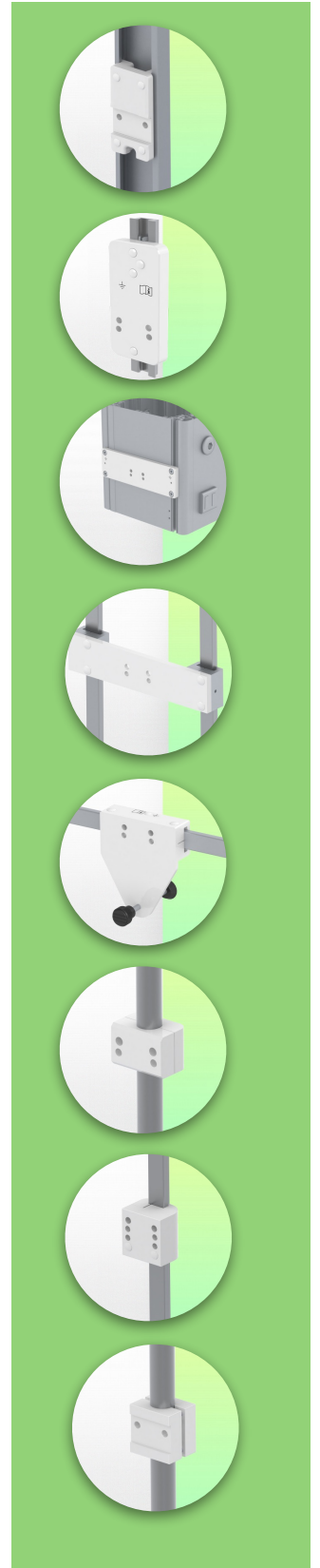
Colour: Decorative parts: RAL 5013 cobalt blue

Aluminium parts: RAL 9016 traffic white

Max. load capacity of support arm: 17 kg

Tray load capacity: 10 Kg

Product weight: 2,6 Kg



Information pour le montage - Rail à Glissière murale

Part Number: WM 336.109

300 mm Laptop Horizontal Medical Arm, wall-mounted on vertical sliding rail

Rail à Glissière murale:

Pour installer ce bras médical à pivot, vous devez utiliser soit un rail existant de votre installation, soit commander un de nos rails à glissière. Ceux-ci sont disponibles en longueurs standards de 480 mm, 720 mm, 960 mm et 1200 mm. Des longueurs sur mesures sont disponibles sur demande. Couvre-cles de glissières et embouts d'extrémités livrés avec chaque commande.

