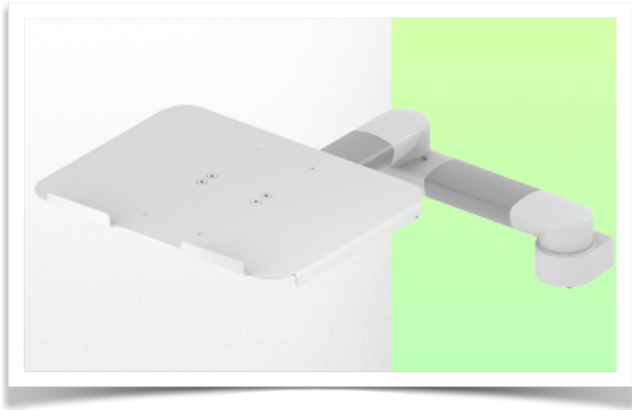


Presentation

Part Number: WM 336.110

Horizontal 2 x 300 mm double medical arm for laptop, wall-mounted on vertical sliding rail



Horizontal 2 x 300 mm double medical arm for laptop, wall-mounted on vertical sliding rail

This 2 x 300 mm double swivel medical arm allows you to fix, orientate and adjust your laptop perfectly. It is coated with an anti-microbial agent to ensure hygiene and cleanliness down to the smallest detail. Its modern design has been specially developed for healthcare environments.

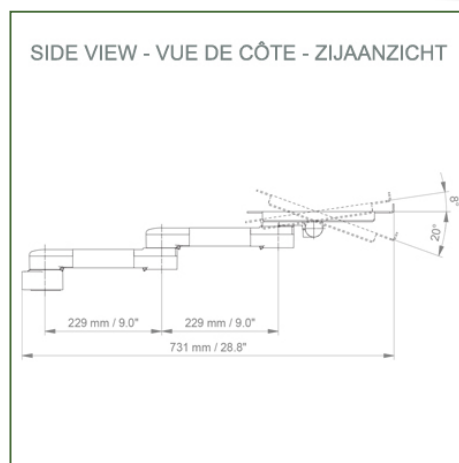
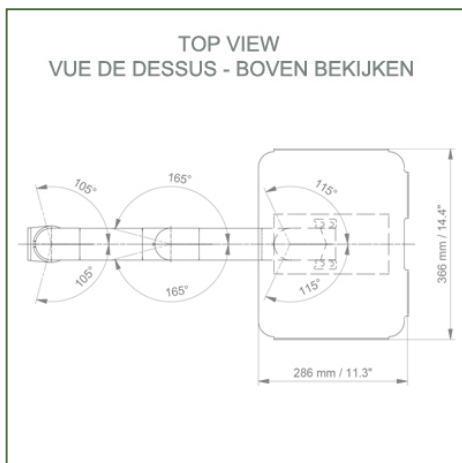
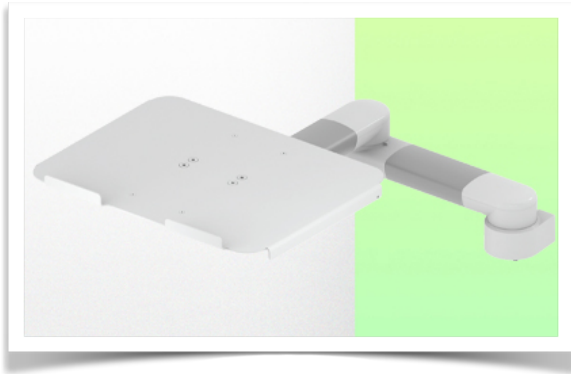
Technical specifications:

- * Integrated cable management
- * Mounting on optional Vertical Wall Slide Rail, available in various lengths available in lengths of 480, 720, 960 and 1200 mm. These wall tracks can easily be cut to the required size. required. All cables also run through the wall rail. (See Option on following pages)
- * This 2 x 300 mm double swivel arm simply slides into the wall rail, then adjusts to the required height and locks in place.
- * The laptop stand supplied in this version has the following dimensions: 360 x 290 mm
- * The weight of the arm is 7 kg and 7 kg for the tray
- * Laptop support rotation: 115° right and left, 20° tilt
- * Arm rotation: 105° right and left from the adaptor
- * Total length 731 mm * Colour RAL 7024 (Graphite Grey) and White
- * All our medical arms are CE, ROHS, Medical Grade, MDD 93/42 ECC compliant.
- * Warranty: 5 years

Technical specifications

Part Number: WM 336.110

Horizontal 2 x 300 mm double medical arm for laptop, wall-mounted on vertical sliding rail



Laptop stand dimensions: 360 x 280 mm

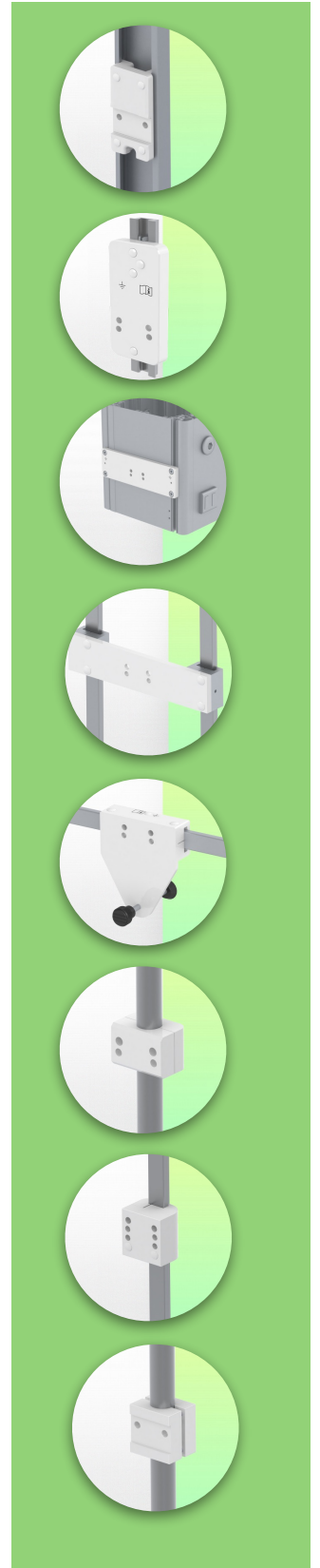
Colour: Decorative parts: RAL 5013 cobalt blue

Aluminium parts: RAL 9016 traffic white

Max. load capacity of support arm: 7 kg

Tray load capacity: 7 Kg

Product weight: 3,6 Kg



Installation information - Wall-mounted slide rail

Part Number: WM 336.110

Horizontal 2 x 300 mm double medical arm for laptop, wall-mounted on vertical sliding rail

Wall-mounted slide rail:

To install this medical pivot arm, you must either use an existing rail from your installation or order one of our sliding rails. These are available in standard lengths of 480 mm, 720 mm, 960 mm and 1200 mm. Custom lengths are available on request. Slide covers and end caps are supplied with every order.

