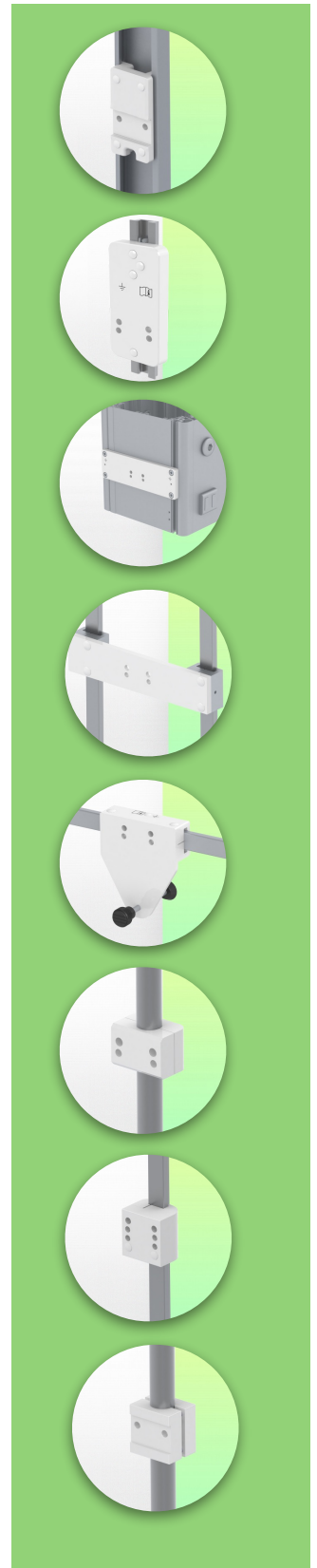
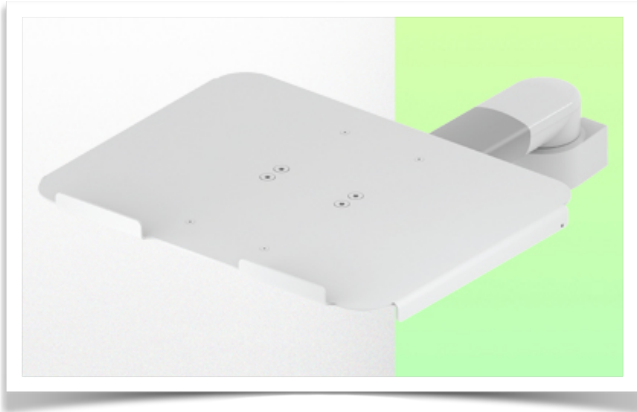


Presentation

Part Number: WM 336.117

Horizontal swivel medical arm 300 mm for Laptop, mounted on fixed pole 25, 35 and 38 mm diameter



Horizontal swivel medical arm 300 mm for Laptop, mounted on fixed pole 25, 35 and 38 mm diameter

This 300 mm swivel medical arm allows you to fix, orientate and adjust your laptop perfectly. It is coated with an anti-microbial agent to ensure hygiene and cleanliness down to the smallest detail.

Its modern design has been specially developed for healthcare environments.

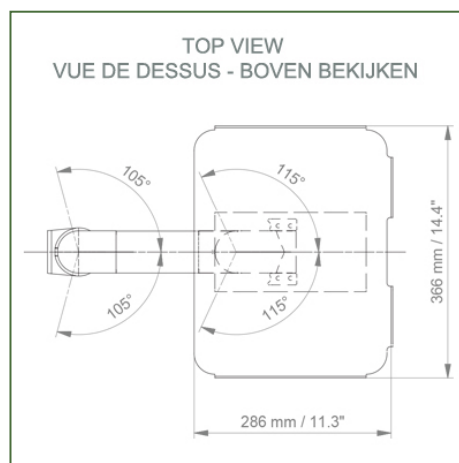
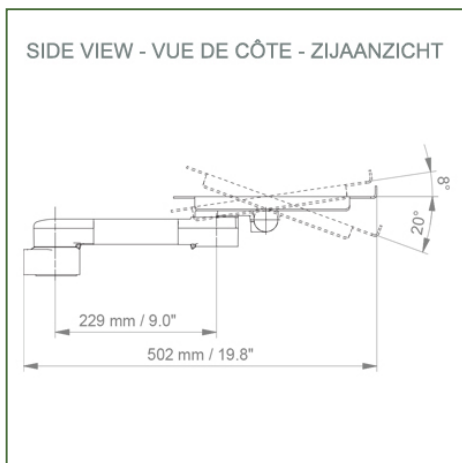
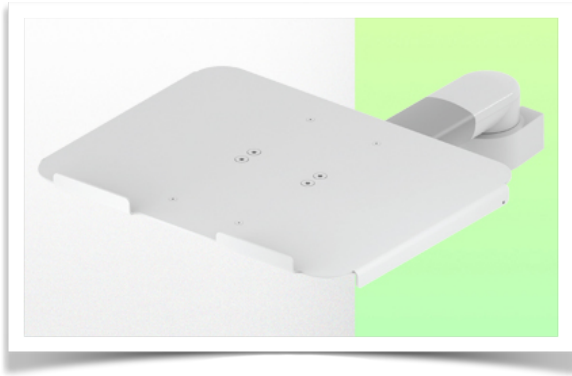
Technical specifications:

- * Fixed to 25,35,38 mm pole
- * This 300 mm swivel arm simply attaches to the pole.
- * The laptop stand supplied in this version has the following dimensions dimensions: 360 x 290 mm
- * The weight of the arm is 17 kg and 10 kg for the tray
- * Laptop support rotation: 115° to the right and left, 20° tilt
- * Arm rotation: 105° to the right and left.
- * Total length 502 mm * Colour RAL 7024 (Graphite Grey) and White
- * All our medical arms are CE, ROHS, Medical Grade, MDD 93/42 ECC compliant.
- * Warranty: 5 years

Technical specifications:

Part Number: WM 336.117

Horizontal swivel medical arm 300 mm for Laptop, mounted on fixed pole 25, 35 and 38 mm diameter



Laptop stand dimensions: 360 x 280 mm

Colour: Decorative parts: RAL 5013 cobalt blue

Aluminium parts: RAL 9016 traffic white

Max. load capacity of support arm: 17 kg

Tray load capacity: 10 Kg

Product weight: 2,6 Kg

Installation information - Fixed Pole

Part Number: WM 336.117

Horizontal swivel medical arm 300 mm for Laptop, mounted on fixed pole 25, 35 and 38 mm diameter

Fixed pole 25, 35, 38 mm:

For mounting round tubes with diameters of 25, 35 and 38 mm

