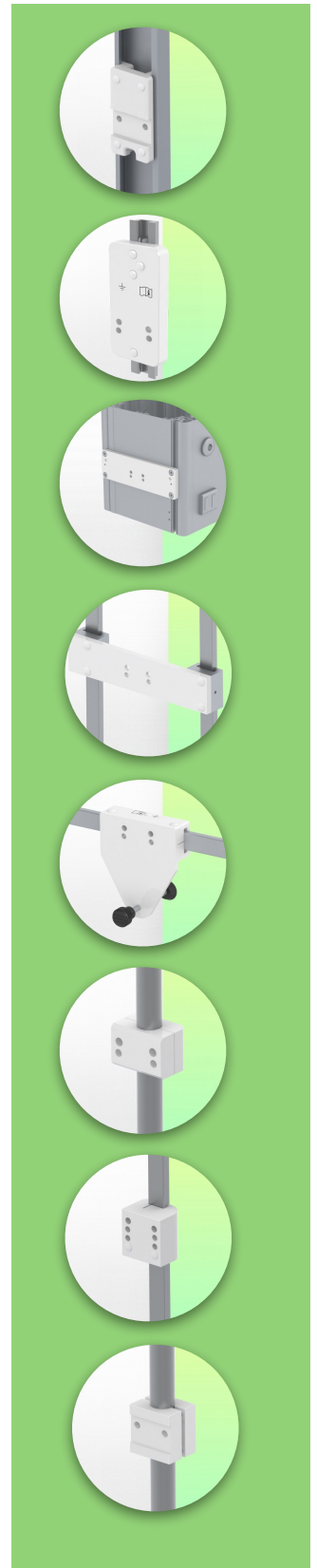
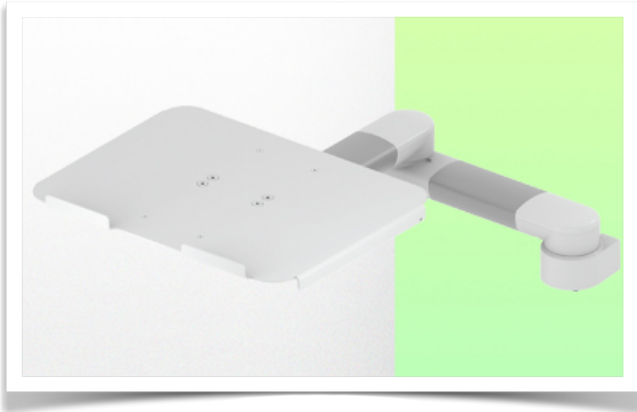


Presentation

Part Number: WM 336.118

2 x 300 mm Horizontal Swivel Medical Arm for Laptop, Mounting on Fixed Pole Diameter 25, 35 and 38 mm



2 x 300 mm Horizontal Swivel Medical Arm for Laptop, Mounting on Fixed Pole Diameter 25, 35 and 38 mm

This 2 x 300 mm double swivel medical arm allows you to perfectly fix, orient and adjust your laptop. It is coated with an anti-microbial agent offering hygiene and cleaning down to the smallest details. Its modern design has been specially designed for healthcare environments.

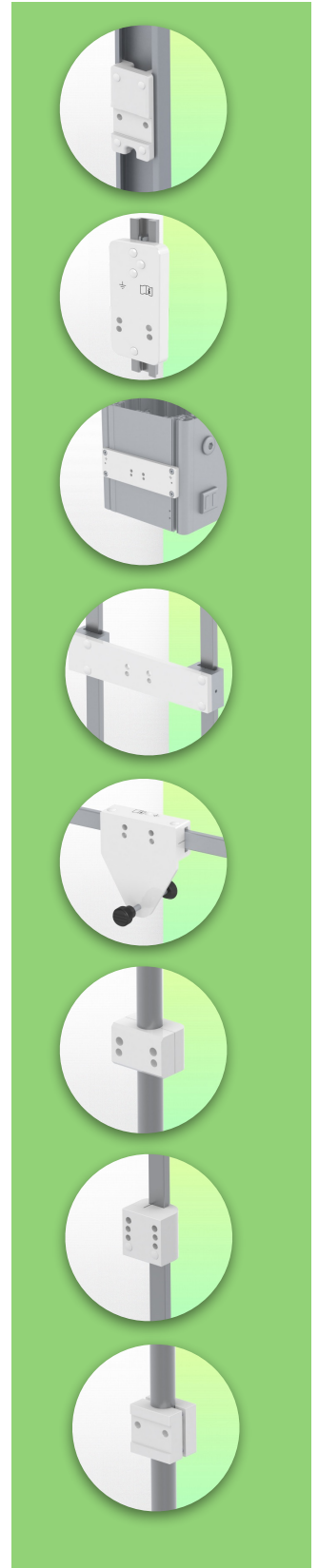
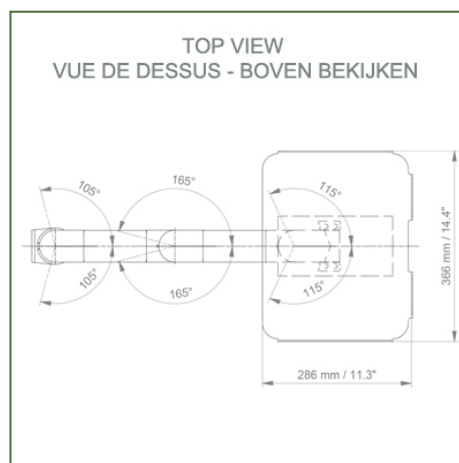
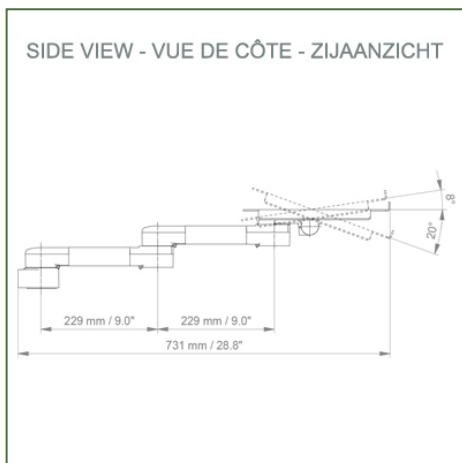
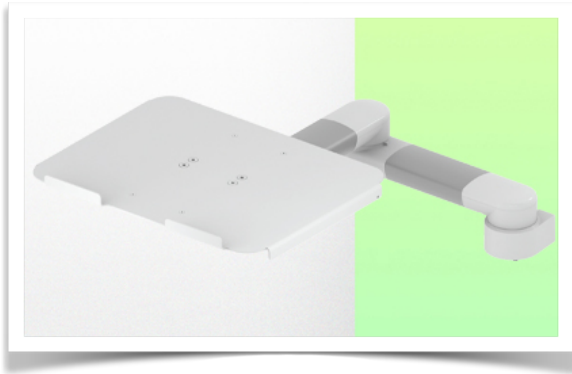
Technical specifications:

- * Integrated cable passage
- * Fixed pole attachment of 25,35,38 mm
- * This 2 x 300 mm swivel arm simply attaches to the pole
- * The laptop support supplied in this version has the dimensions of: 360 x 290 mm
- * The weight supported by the arm is 7 kg and 7 kg for the tray
- * Rotation of the Laptop support: 115° to the right and left, tilt of 20°
- * Rotation of the arm: 105° to the right and left, and 165° at the intersection
- * Total length 731 mm
- * Color RAL 7024 (Graphite gray) and White
- * All our medical arms are compliant with: CE, ROHS, Medical Grade, MDD 93/42 ECC regulations.
- * Warranty: 5 years

Technical specifications:

Part Number: WM 336.118

2 x 300 mm Horizontal Swivel Medical Arm for Laptop, Mounting on Fixed Pole Diameter 25, 35 and 38 mm



Laptop stand dimensions: 360 x 280 mm

Colour: Decorative parts: RAL 5013 cobalt blue

Aluminium parts: RAL 9016 traffic white Max.

load capacity of the support arm: 7 kg

Load capacity of the tray: 7 Kg

Product weight: 3.6 Kg

Mounting Information - Fixed Pole

Part Number: WM 336.118

2 x 300 mm Horizontal Swivel Medical Arm for Laptop, Mounting on Fixed Pole Diameter 25, 35 and 38 mm

Fixed pole 25, 35, 38 mm:

For fixing mounting of round tube with diameters of 25, 35 and 38 mm

