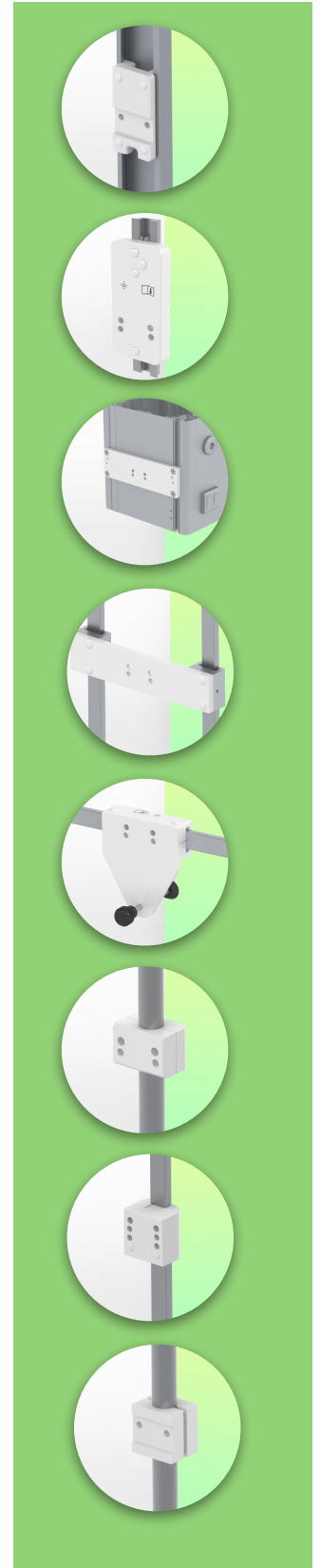
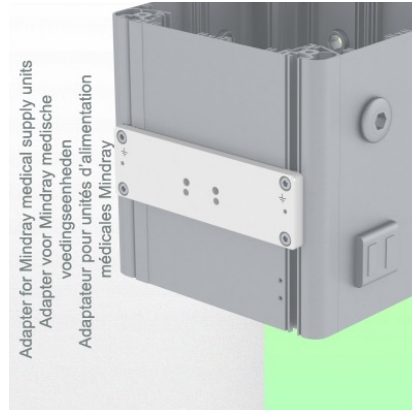
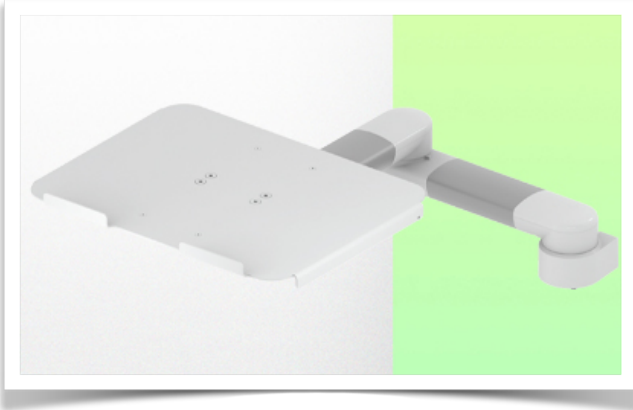


**Presentation**

**Part Number: WM 336.122**

**2 x 300mm Horizontal Swivel Medical Arm for Laptop Mount on Mindray Medical Power Supply Device**



**2 x 300mm Horizontal Swivel Medical Arm for Laptop Mount on Mindray Medical Power Supply Device**

This 2 x 300 mm double swivel medical arm allows you to perfectly fix, orient and adjust your laptop. It is coated with an anti-microbial agent offering hygiene and cleaning down to the smallest details. Its modern design has been specially designed for healthcare environments.

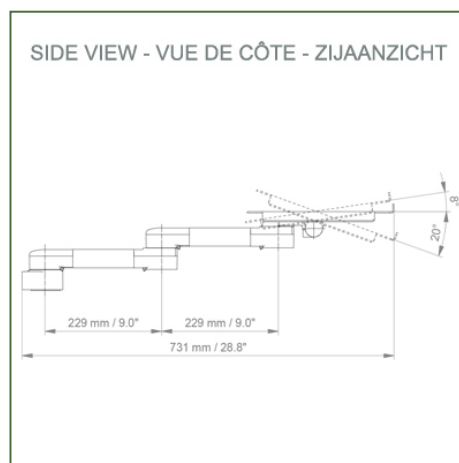
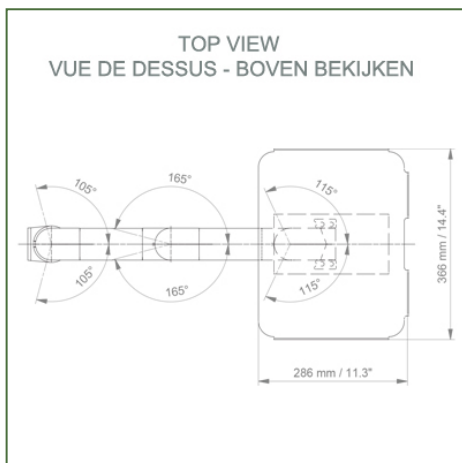
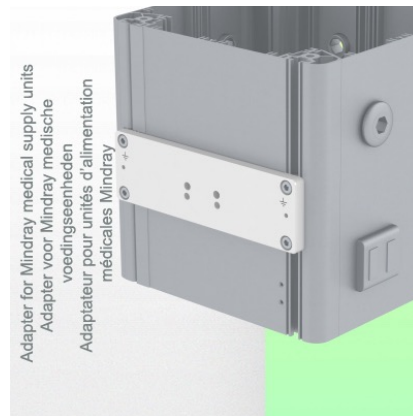
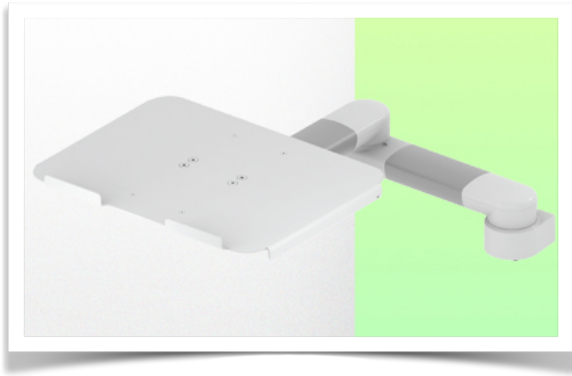
**Technical specifications:**

- \* Integrated cable passage
- \* Mounting on Mindray Medical Power Supply
- \* This 2 x 300 mm swivel arm simply attaches to the adapter
- \* The laptop support supplied in this version has the dimensions of: 360 x 290 mm
- \* The weight supported by the arm is 7 kg and 7 kg for the tray
- \* Rotation of the Laptop support: 115° to the right and left, tilt of 20°
- \* Rotation of the arm: 105° to the right and left, and 165° at the intersection
- \* Total length 731 mm
- \* Color RAL 7024 (Graphite gray) and White
- \* All our medical arms are compliant with: CE, ROHS, Medical Grade, MDD 93/42 ECC regulations.
- \* Warranty: 5 years

Technical specifications:

Part Number: WM 336.122

**2 x 300mm Horizontal Swivel Medical Arm for Laptop Mount on Mindray Medical Power Supply Device**



Laptop stand dimensions: 360 x 280 mm

Colour: Decorative parts: RAL 5013 cobalt blue

Aluminium parts: RAL 9016 traffic white

Max. load capacity of the support arm: 7 kg

Load capacity of the tray: 7 Kg

Product weight: 3.6 Kg

**Assembly Information - Mindray Adapter**

**Part Number: WM 336.122**

**2 x 300mm Horizontal Swivel Medical Arm for Laptop Mount on Mindray Medical Power Supply Device**

**Mindray Adapter:**

**For mounting on Mindray Medical Power Supply Device**

