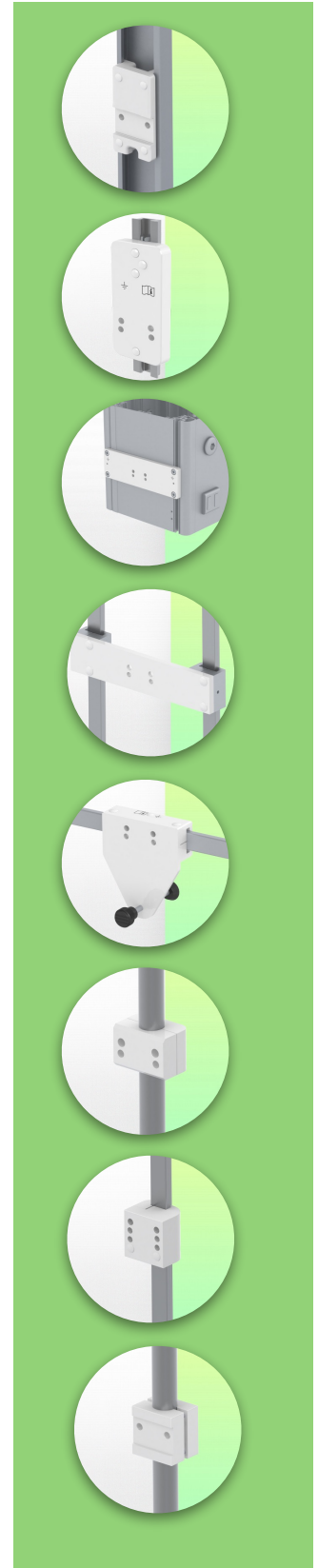
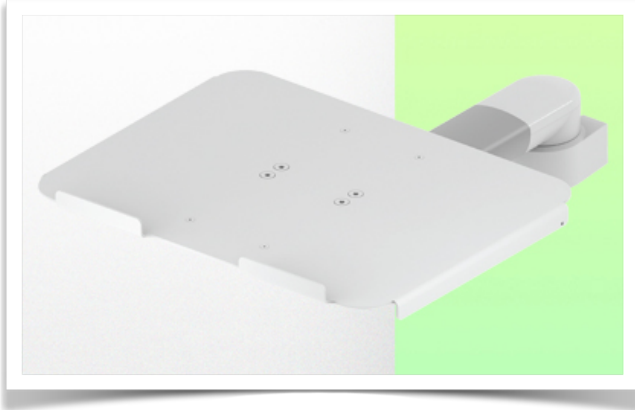


Presentation

Référence: WM 336.123

300 mm Horizontal Laptop Medical Arm for mounting on Amico medical pendants and headwalls



300 mm Horizontal Laptop Medical Arm for mounting on Amico medical pendants and headwalls

This 300 mm swivel medical arm allows you to fix, orientate and adjust your laptop perfectly. It is coated with an anti-microbial agent to ensure hygiene and cleanliness down to the smallest detail. Its modern design has been specially developed for healthcare environments.

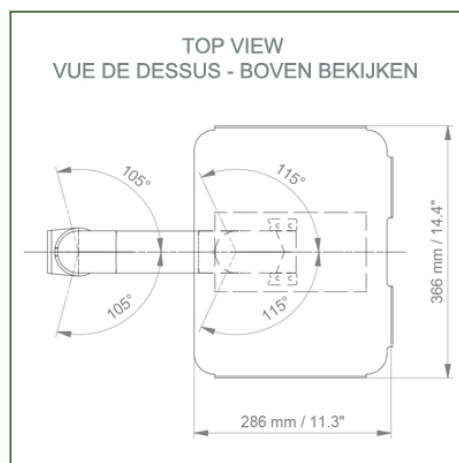
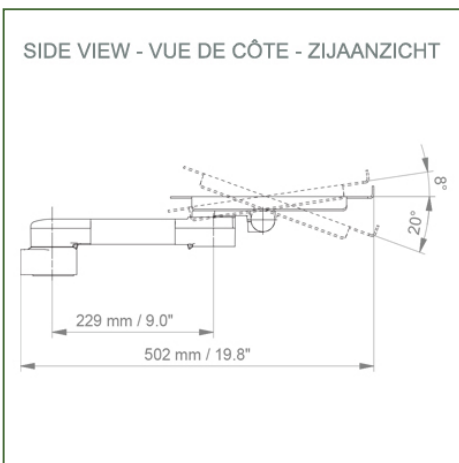
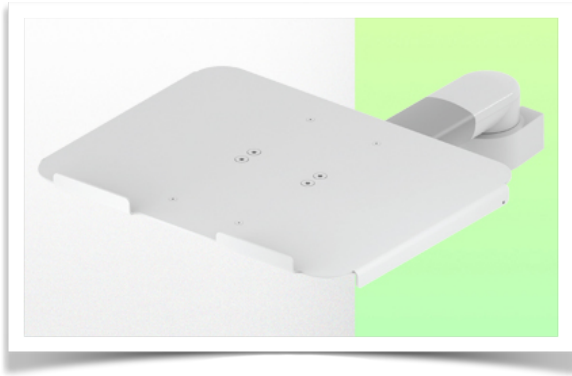
Technical specifications:

- * Integrated cable management
- * Can be fitted to Amico pendants and headwalls
- * This 300 mm swivel arm simply slides into the machine's existing rail.
- * The laptop stand supplied in this version has the following dimensions 360 x 290 mm
- * The weight of the arm is 17 kg and of the tray 10 kg
- * Laptop support rotation: 115° right and left, tilt 20° * Arm rotation: 105° right and left.
- * Total length 502 mm
- * Colour RAL 7024 (Graphite Grey) and White
- * All our medical arms are CE, ROHS, Medical Grade, MDD 93/42 ECC compliant.
- * Warranty: 5 years

Technical specifications

Part Number: WM 336.123

300 mm Horizontal Laptop Medical Arm for mounting on Amico medical pendants and headwalls



Laptop stand dimensions: 360 x 280 mm

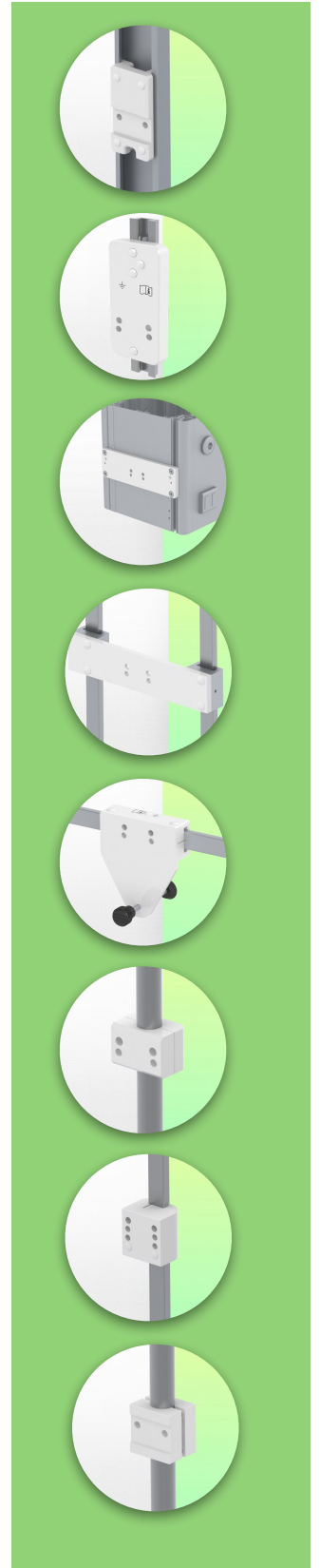
Colour: Decorative parts: RAL 5013 cobalt blue

Aluminium parts: RAL 9016 traffic white

Max. load capacity of support arm: 17 kg

Tray load capacity: 10 Kg

Product weight: 2,6 Kg



Installation information - Amico adapter

Part Number: WM 336.123

300 mm Horizontal Laptop Medical Arm for mounting on Amico medical pendants and headwalls

Amico adapter:

Mounting on Amico pendants and headwalls

