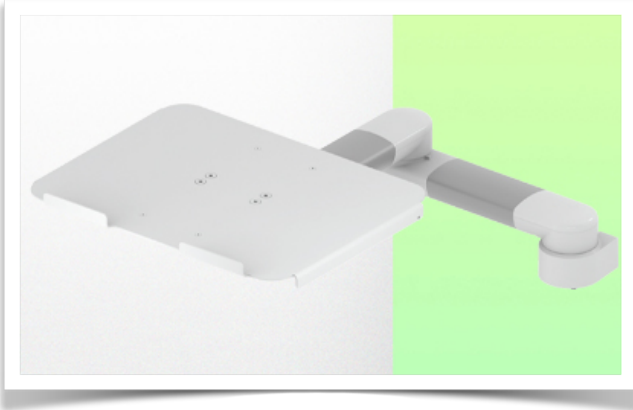


Presentation

Part Number: WM 336.124

Double Horizontal Medical Arm 2 x 300 mm for Laptop, attachment to Amico medical pendants and headwalls



Double Horizontal Medical Arm 2 x 300 mm for Laptop, attachment to Amico medical pendants and headwalls

This 2 x 300 mm double swivel medical arm allows you to fix, orientate and adjust your laptop perfectly. It is coated with an anti-microbial agent to ensure hygiene and cleanliness down to the smallest detail. Its modern design has been specially developed for healthcare environments.

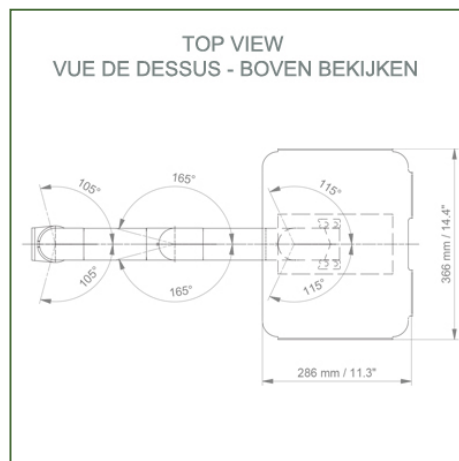
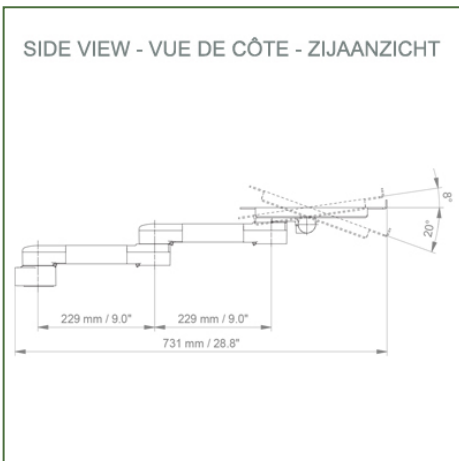
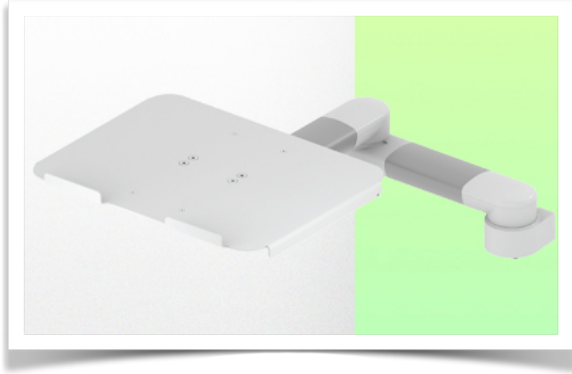
Technical specifications:

- * Integrated cable management
- * Fixing on Amico pendants and headwalls
- * This 2 x 300 mm double swivel arm simply slides into the machine's existing rail
- * The laptop stand supplied in this version has the following dimensions 360 x 290 mm
- * The weight supported by the arm is 7 Kg and 7 Kg for the tray
- * Laptop support rotation: 115° to the right and left, 20° tilt
- * Arm rotation: 105° to the right and left, and 165° at the intersection
- * Total length 731 mm
- * Colour RAL 7024 (Graphite Grey) and White
- * All our medical arms are CE, ROHS, Medical Grade, MDD 93/42 ECC compliant.
- * Warranty: 5 years

Technical specifications:

Part Number: WM 336.124

Double Horizontal Medical Arm 2 x 300 mm for Laptop, attachment to Amico medical pendants and headwalls



Laptop stand dimensions: 360 x 280 mm

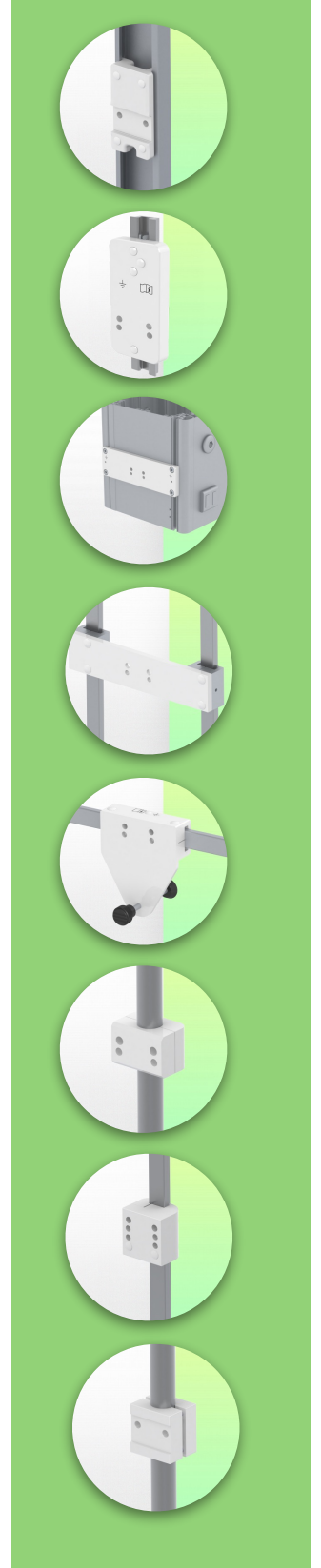
Colour: Decorative parts: RAL 5013 cobalt blue

Aluminium parts: RAL 9016 traffic white

Max. load capacity of support arm: 7 kg

Tray load capacity: 7 Kg

Product weight: 3,6 Kg



Installation information - Amico adapter

Part Number: WM 336.124

Double Horizontal Medical Arm 2 x 300 mm for Laptop, attachment to Amico medical pendants and headwalls

Amico adapter

Mounting on Amico pendants and headwalls

