

**Presentation**

**Part Number: WM 337.109**

**450mm Height Adjustable Horizontal Medical Laptop Arm, Wall Mount on Vertical Slide Rail**



**450mm Height Adjustable Horizontal Medical Laptop Arm, Wall Mount on Vertical Slide Rail**

This 450 mm height-adjustable medical arm allows you to perfectly fix, orient and adjust your laptop. It is coated with an anti-microbial agent offering hygiene and cleaning in every detail. Its modern design has been specially designed for healthcare environments.

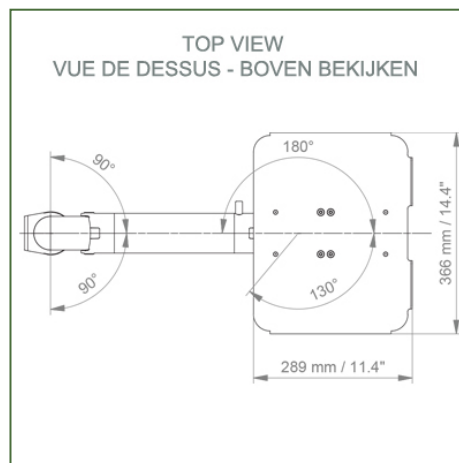
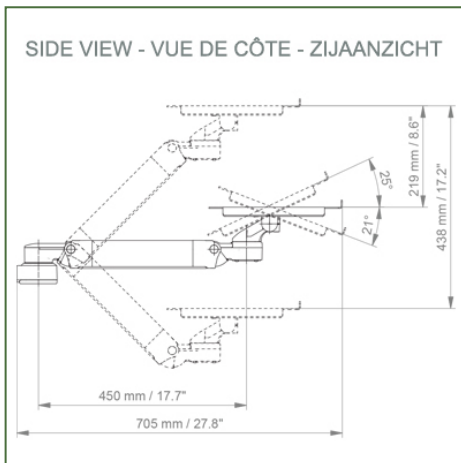
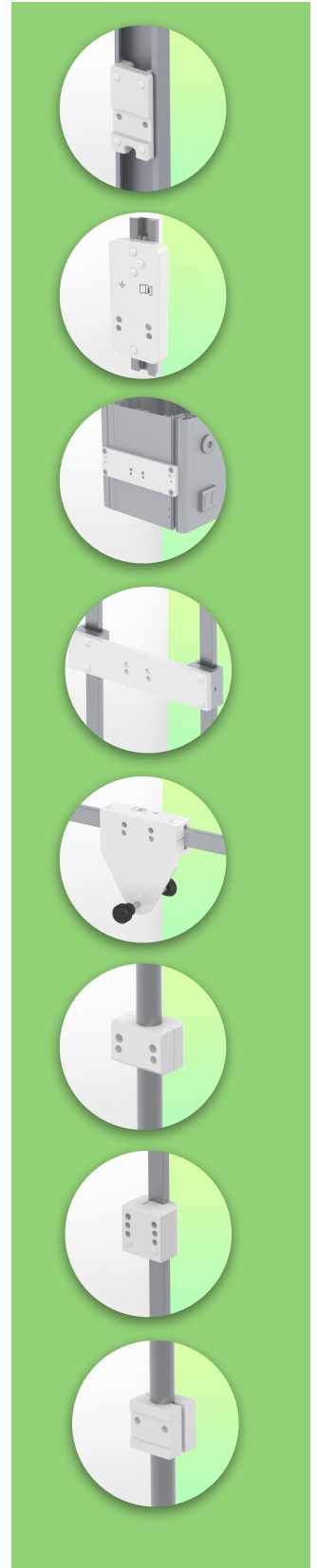
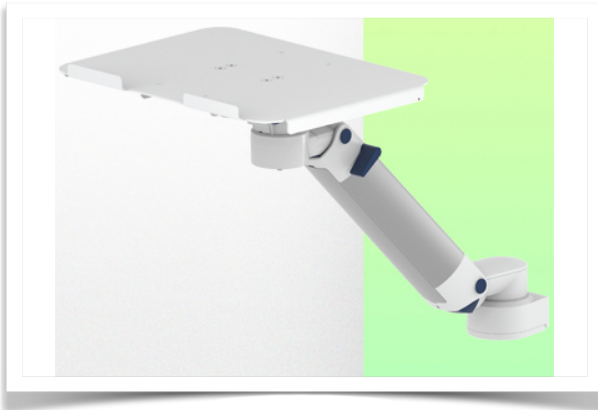
**Technical specifications:**

- \* Integrated cable passage
- \* Optional Vertical Wall Slide Rail mounting, several lengths of which are available 480, 720, 960,1200 mm These wall rails can be easily cut to the desired dimension. All cables also pass through the wall rail. (See Option on the following pages)
- \* This 450 mm height-adjustable arm simply slides into the wall rail and then adjusts to the desired height and is fixed.
- \* The laptop stand supplied in this version has the dimensions of: 360 x 290 mm
- \* The weight supported by the arm is 21 kg and 10 kg for the tray
- \* Rotation of the Laptop stand: 130° to the right and 180° to the left, tilt of 21° downwards and 25° upwards\* Rotation of the arm: 90° to the right and left.
- \* Total length 705 mm
- \* Color RAL 7024 (Graphite Grey) and White
- \* All our medical arms are compliant with: CE, ROHS, Medical Grade, MDD 93/42 ECC regulations.
- \* Warranty: 5 years

Technical specifications:

Part Number: WM 337.109

450mm Height Adjustable Horizontal Medical Laptop Arm, Wall Mount on Vertical Slide Rail



Laptop stand dimensions: 360 x 280 mm

Colour: Decorative parts: RAL 5013 cobalt blue

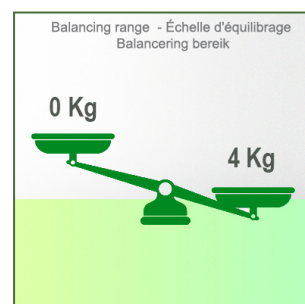
Aluminium parts: RAL 9016 traffic white

Max. load capacity of the support arm: 21 kg

Load capacity of the tray: 10 Kg

Balancing range: 1-4 Kg

Product weight: 4.6 Kg



**Mounting Information - Wall Slide Rail**

**Part Number: WM 337.109**

**450mm Height Adjustable Horizontal Medical Laptop Arm, Wall Mount on Vertical Slide Rail**

**Wall Slide Rail:**

To install this medical pivot arm, you must either use an existing rail from your facility or order one of our slide rails. These are available in standard lengths of 480mm, 720mm, 960mm and 1200mm. Custom lengths are available upon request. Slide covers and end caps are supplied with every order.

