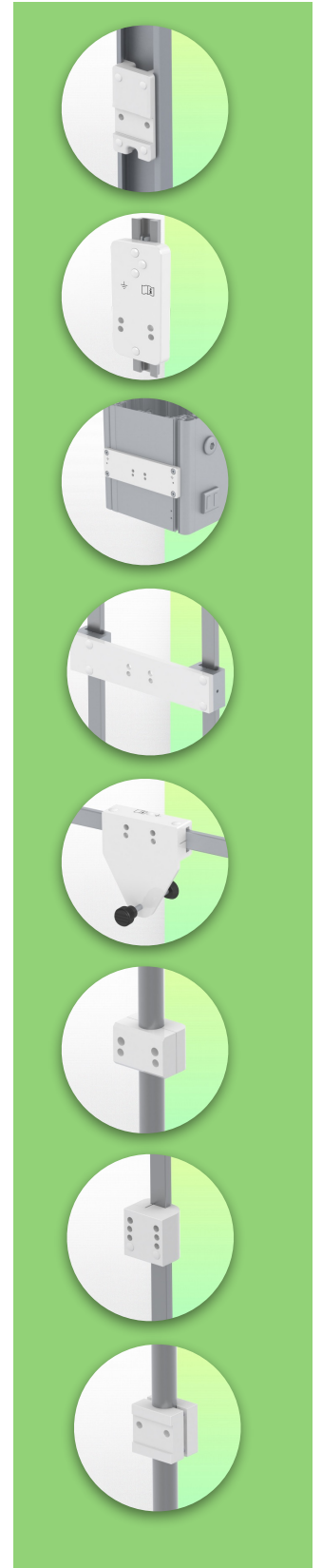


Presentation

Part Number: WM 337.110

450+230mm Height Adjustable Double Horizontal Medical Arm for Laptop, Wall Mount on Vertical Slide Rail



450+230mm Height Adjustable Double Horizontal Medical Arm for Laptop, Wall Mount on Vertical Slide Rail

This 450+230 mm height-adjustable double medical arm allows you to fix, orient and adjust your laptop perfectly. It is coated with an anti-microbial agent offering hygiene and cleaning down to the smallest details. Its modern design has been specially designed for healthcare environments.

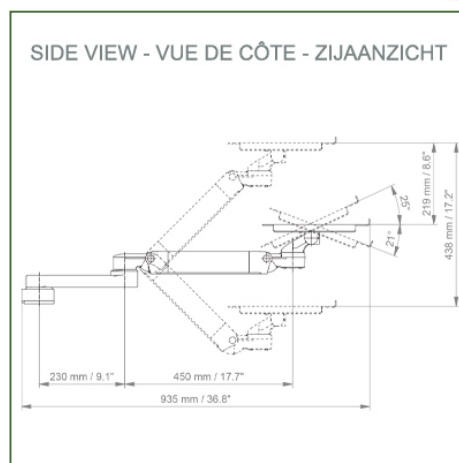
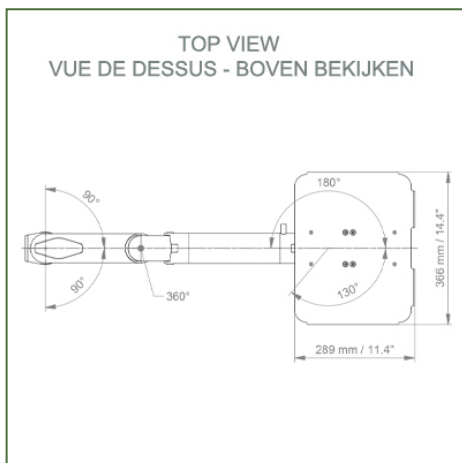
Technical specifications:

- * Integrated cable passage
- * Optional Vertical Wall Slide Rail Fixing, several lengths are available 480, 720, 960, 1200 mm These wall rails can be easily cut to the desired dimension. All cables also pass through the wall rail. (See Option on the following pages)
- * This double height-adjustable arm of 450+230 mm simply slides into the wall rail and then adjusts to the desired height and is fixed.
- * The laptop stand supplied in this version has the dimensions of: 360 x 290 mm * The weight supported by the arm is 21 kg and 10 kg for the tray
- * Rotation of the Laptop stand: 130° to the right and 180° to the left, tilt 21° down and 25° up* Rotation of the arm: 90° to the right and left from the adapter and 360° at the intersection
- * Total length 935 mm* Color RAL 7024 (Graphite gray) and White
- * All our medical arms are compliant with: CE, ROHS, Medical Grade, MDD 93/42 ECC regulations.
- * Warranty: 5 years

Technical specifications:

Part Number: WM 337.110

450+230mm Height Adjustable Double Horizontal Medical Arm for Laptop, Wall Mount on Vertical Slide Rail



Laptop stand dimensions: 360 x 280 mm

Colour: Decorative parts: RAL 5013 cobalt blue

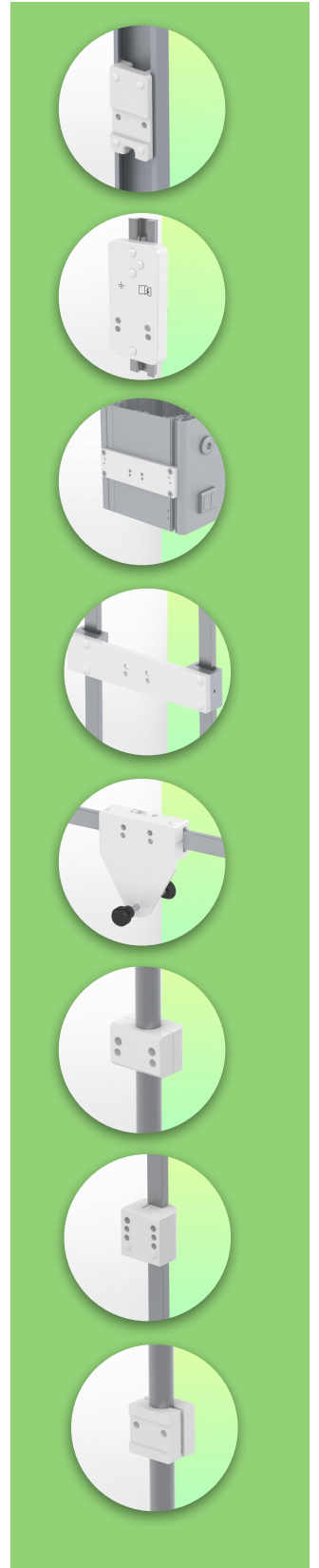
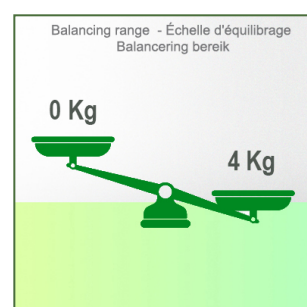
Aluminium parts: RAL 9016 traffic white

Max. load capacity of the support arm: 21 kg

Load capacity of the tray: 10 Kg

Balancing range: 1-4 Kg

Product weight: 5.6 Kg



Information pour le montage - Rail à Glissière murale

Part Number: WM 337.110

450+230mm Height Adjustable Double Horizontal Medical Arm for Laptop, Wall Mount on Vertical Slide Rail

Rail à Glissière murale:

Pour installer ce bras médical à pivot, vous devez utiliser soit un rail existant de votre installation, soit commander un de nos rails à glissière. Ceux-ci sont disponibles en longueurs standards de 480 mm, 720 mm, 960 mm et 1200 mm. Des longueurs sur mesures sont disponibles sur demande. Couvre-cles de glissières et embouts d'extrémités livrés avec chaque commande.

