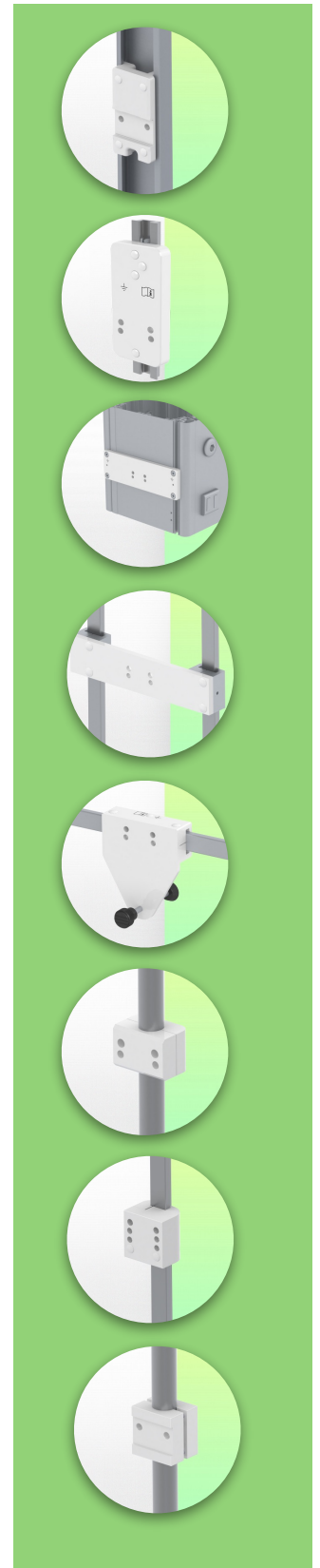
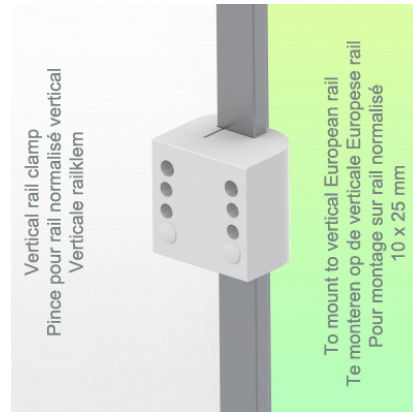
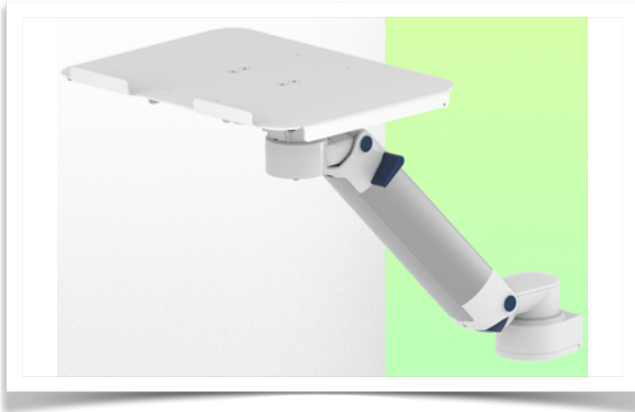


Presentation

Part Number: WM 337.115

450mm Height Adjustable Horizontal Medical Arm for Laptop, Vertical Din Rail Mount



450mm Height Adjustable Horizontal Medical Arm for Laptop, Vertical Din Rail Mount

This 450 mm height-adjustable medical arm allows you to fix, orient and adjust your laptop perfectly. It is coated with an anti-microbial agent offering hygiene and cleaning in every detail. Its modern design has been specially designed for healthcare environments.

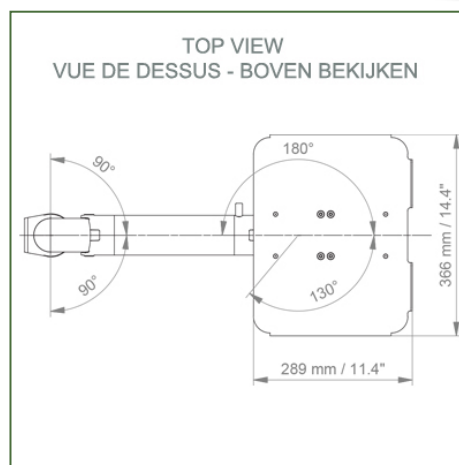
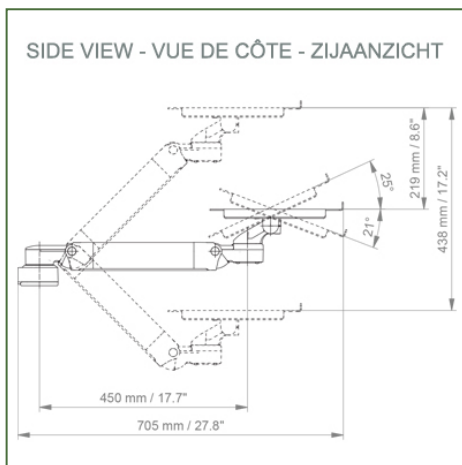
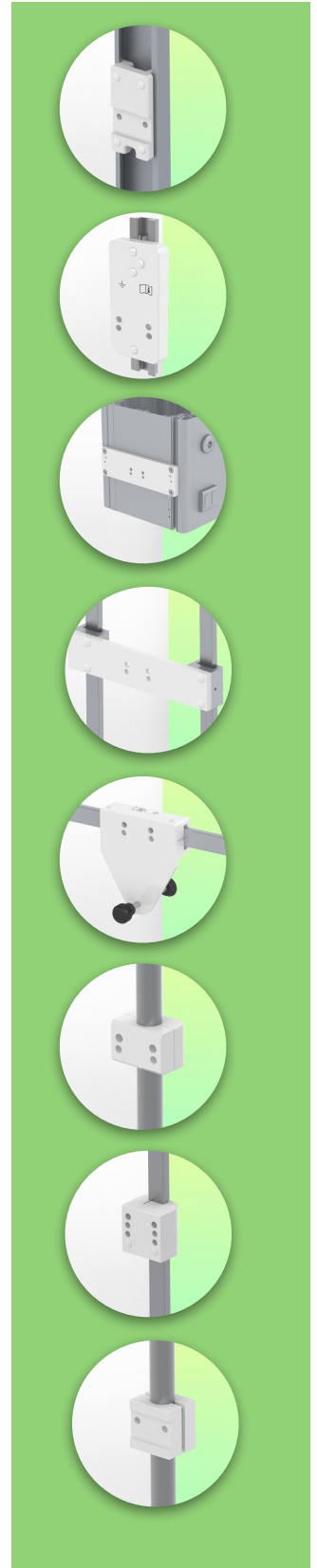
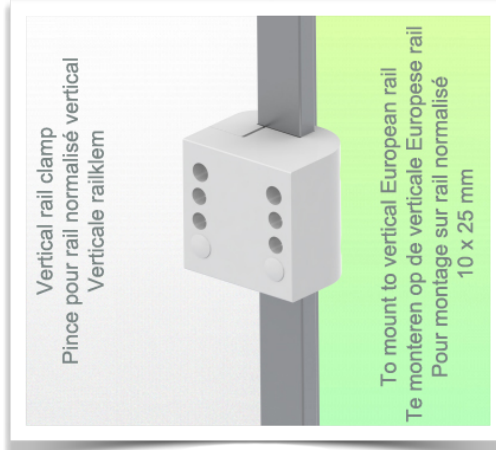
Technical specifications:

- * Vertical DIN rail mounting
- * This 450 mm height-adjustable arm simply attaches to the pole
- * The laptop stand supplied in this version has the dimensions of: 360 x 290 mm
- * The weight supported by the arm is 21 kg and 10 kg for the tray
- * Laptop support rotation: 130° right and 180° left, tilt 21° down and 25° up
- * Arm rotation: 90° right and left.
- * Total length 705 mm
- * RAL 7024 (Graphite Grey) and White colour
- * All our medical arms comply with: CE, ROHS, Medical Grade, MDD 93/42 ECC regulations.
- * Warranty: 5 years

Technical specifications:

Part Number: WM 337.115

450mm Height Adjustable Horizontal Medical Arm for Laptop, Vertical Din Rail Mount



Laptop stand dimensions: 360 x 280 mm

Colour: Decorative parts: RAL 5013 cobalt blue

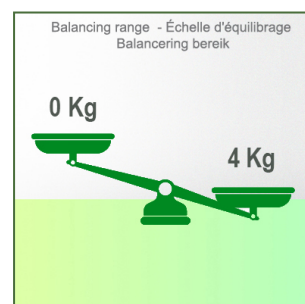
Aluminium parts: RAL 9016 traffic white

Max. load capacity of the support arm: 21 kg

Load capacity of the tray: 10 Kg

Balancing range: 1-4 Kg

Product weight: 4.6 Kg



Mounting Information - Din Rail Vertical

Part Number: WM 337.115

450mm Height Adjustable Horizontal Medical Arm for Laptop, Vertical Din Rail Mount

Din Rail Vertical:

Fixed clamp for standard rail For fixing on a standard rail Vertical 10 x 25, 8 x 35, 10 x 30, 10 x 50 mm

