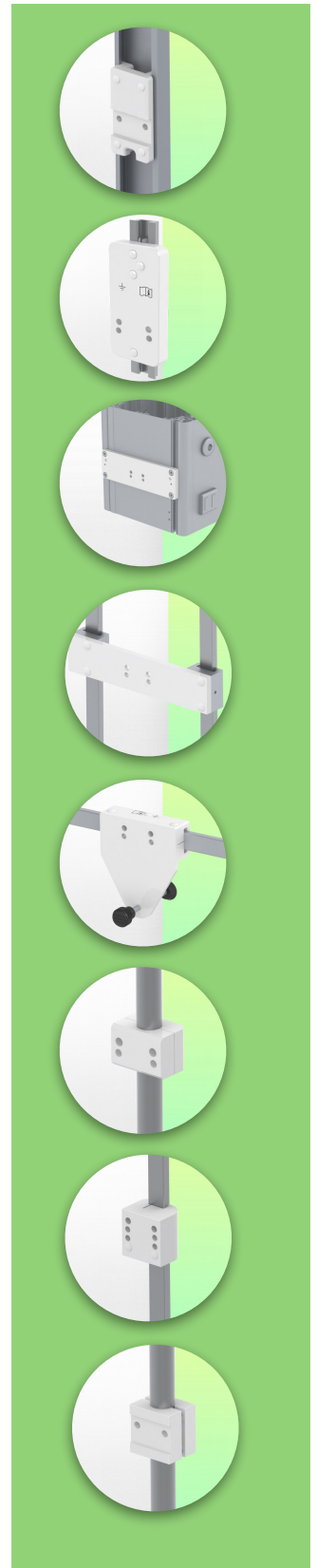


**Presentation**

**Part Number: WM 337.117**

**450mm Height Adjustable Horizontal Medical Arm for Laptop, Mounting on Fixed Pole Diameter 25, 35 and 38mm**



**450mm Height Adjustable Horizontal Medical Arm for Laptop, Mounting on Fixed Pole Diameter 25, 35 and 38mm**

This 450 mm height-adjustable medical arm allows you to fix, orient and adjust your laptop perfectly. It is coated with an anti-microbial agent offering hygiene and cleaning in every detail. Its modern design has been specially designed for healthcare environments.

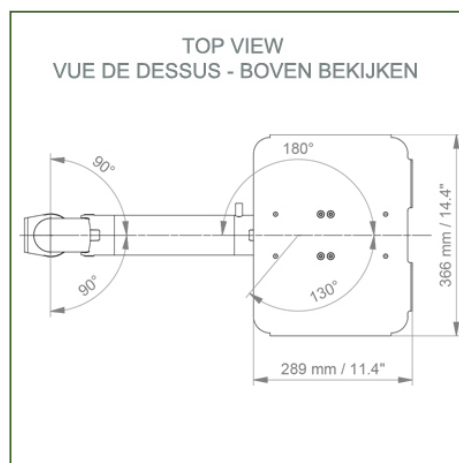
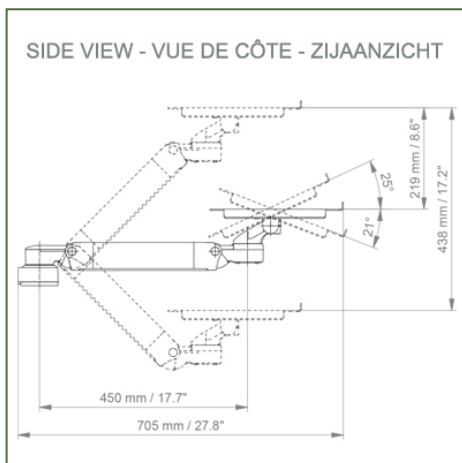
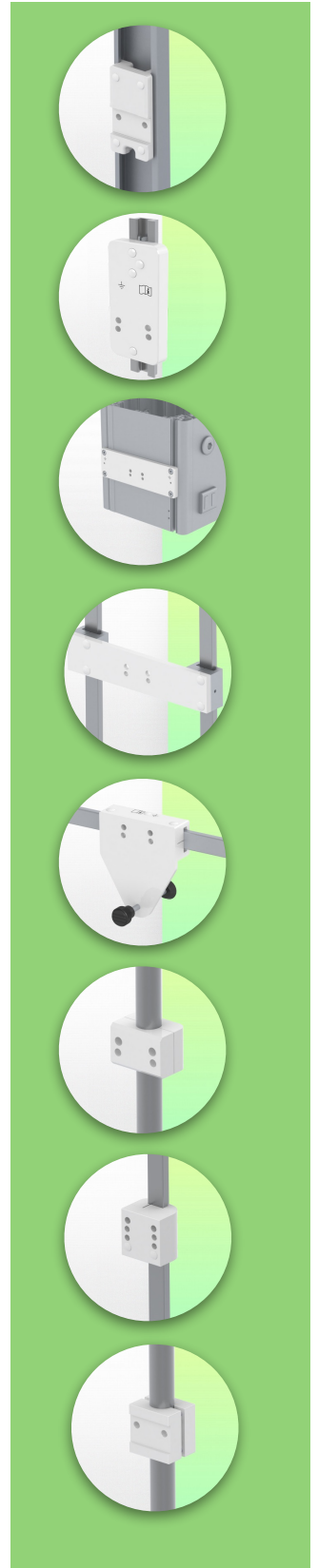
**Technical specifications:**

- \* Fixed pole attachment of 25,35,38 mm
- \* This height-adjustable arm of 450 mm simply attaches to the pole
- \* The laptop support delivered in this version has the dimensions of: 360 x 290 mm
- \* The weight supported by the arm is 21 kg and 10 kg for the tray
- \* Rotation of the Laptop support: 130 ° to the right and 180 ° left, tilt of 21 ° downwards and 25 ° upwards
- \* Rotation of the arm: 90 ° to the right and to the left.
- \* Total length 705 mm
- \* Color RAL 7024 (Graphite gray) and White
- \* All our medical arms are in compliance with: CE, ROHS, Medical Grade, MDD 93/42 ECC regulations.
- \* Warranty: 5 years

Technical specifications:

Part Number: WM 337.117

**450mm Height Adjustable Horizontal Medical Arm for Laptop, Mounting on Fixed Pole Diameter 25, 35 and 38mm**



Laptop stand dimensions: 360 x 280 mm

Colour: Decorative parts: RAL 5013 cobalt blue

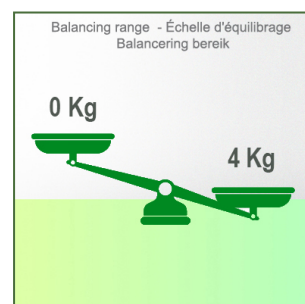
Aluminium parts: RAL 9016 traffic white

Max. load capacity of the support arm: 21 kg

Load capacity of the tray: 10 Kg

Balancing range: 1-4 Kg

Product weight: 4.6 Kg



**Mounting Information - Fixed Pole**

**Part Number: WM 337.117**

**450mm Height Adjustable Horizontal Medical Arm for Laptop, Mounting on Fixed Pole  
Diameter 25, 35 and 38mm**

Fixed pole 25, 35, 38 mm:

For fixing and mounting round tubes with diameters of 25, 35 and 38 mm

