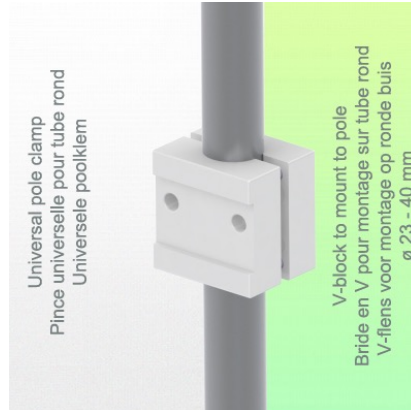


Presentation

Part Number: WM 337.119

**450mm Height Adjustable Horizontal Medical Arm for Laptop,
Variable Pole Mount 23 - 40mm**



**450mm Height Adjustable Horizontal Medical Arm for Laptop,
Variable Pole Mount 23 - 40mm**

This 450 mm height-adjustable medical arm allows you to fix, orient and adjust your laptop perfectly. It is coated with an anti-microbial agent offering hygiene and cleaning in every detail. Its modern design has been specially designed for healthcare environments.

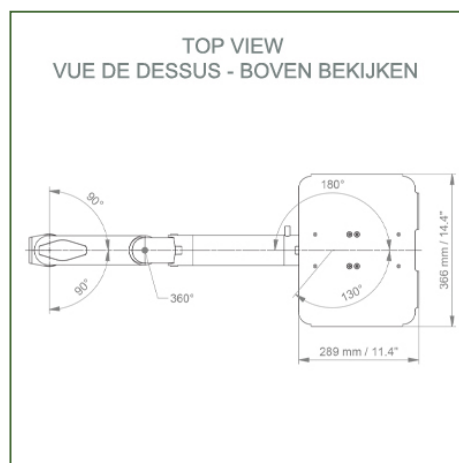
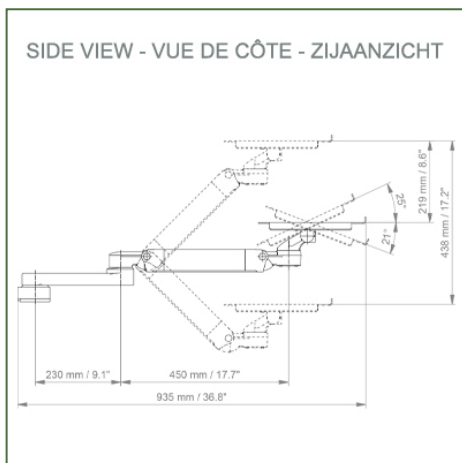
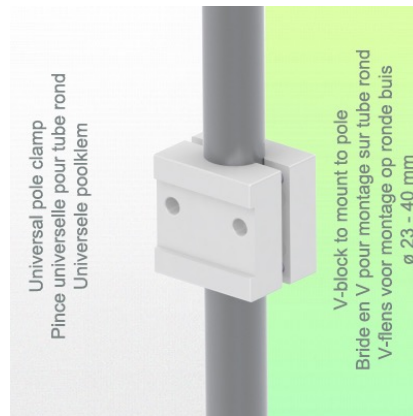
Technical specifications:

- * Variable pole attachment from 23 to 40 mm
- * This 450 mm height-adjustable arm simply attaches to the pole
- * The laptop stand supplied in this version has the dimensions of: 360 x 290 mm
- * The weight supported by the arm is 21 kg and 10 kg for the tray
- * Rotation of the Laptop stand: 130° to the right and 180° left, tilt 21° down and 25° up
- * Rotation of the arm: 90° to the right and left.
- * Total length 705 mm
- * Color RAL 7024 (Graphite gray) and White
- * All our medical arms are compliant with: CE, ROHS, Medical Grade, MDD 93/42 ECC regulations.
- * Warranty: 5 years

Technical specifications:

Part Number: WM 337.119

**450mm Height Adjustable Horizontal Medical Arm for Laptop,
Variable Pole Mount 23 - 40mm**



Laptop stand dimensions: 360 x 280 mm

Colour: Decorative parts: RAL 5013 cobalt blue

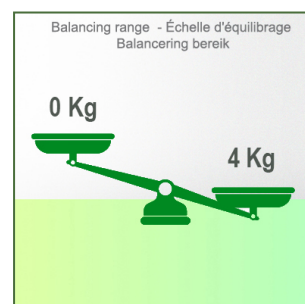
Aluminium parts: RAL 9016 traffic white

Max. load capacity of the support arm: 21 kg

Load capacity of the tray: 10 Kg

Balancing range: 1-4 Kg

Product weight: 4.6 Kg



Assembly Information - Pole Variable

Part Number: WM 337.119

**450mm Height Adjustable Horizontal Medical Arm for Laptop,
Variable Pole Mount 23 - 40mm**

Variable pole:

For fixing and mounting round tubes with diameters from 23 to 40 mm.

