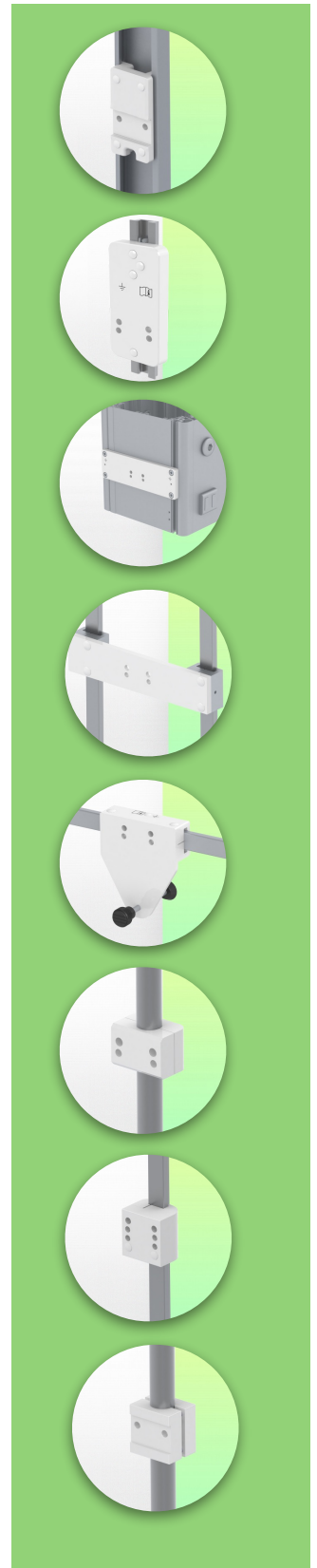
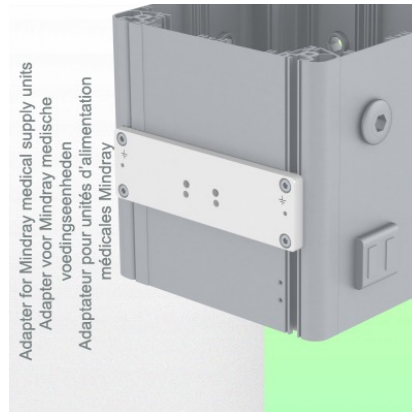


Presentation

Part Number: WM 337.122

450+230mm Height Adjustable Horizontal Medical Double Arm for Laptop, Mount on Mindray Medical Power Supply Device



450+230mm Height Adjustable Horizontal Medical Double Arm for Laptop, Mount on Mindray Medical Power Supply Device

This 450+230 mm height-adjustable double medical arm allows you to fix, orient and adjust your laptop perfectly. It is coated with an anti-microbial agent offering hygiene and cleaning down to the smallest details. Its modern design has been specially designed for healthcare environments.

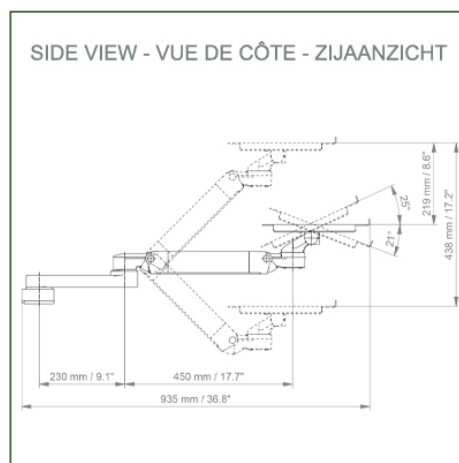
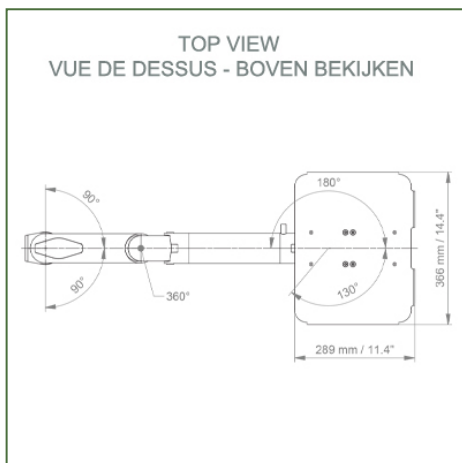
Technical specifications:

- * Integrated cable passage
- * Fixing on Mindray power supply device
- * This height-adjustable arm of 450 + 230 mm simply attaches to the pole
- * The laptop support delivered in this version has the dimensions of: 360 x 290 mm
- * The weight supported by the arm is 21 kg and 10 kg for the tray
- * Rotation of the Laptop support: 130 ° to the right and 180 ° left, tilt of 21 ° down and 25 ° up* Rotation of the arm: 90 ° to the right and left, and 360 ° at the intersection
- * Total length 935 mm
- * Color RAL 7024 (Graphite gray) and White
- * All our medical arms are compliant with: CE, ROHS, Medical Grade, MDD 93/42 ECC regulations.
- * Warranty: 5 years

Technical specifications:

Part Number: WM 337.122

450+230mm Height Adjustable Horizontal Medical Double Arm for Laptop, Mount on Mindray Medical Power Supply Device



Laptop stand dimensions: 360 x 280 mm

Colour: Decorative parts: RAL 5013 cobalt blue

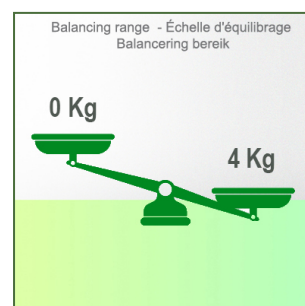
Aluminium parts: RAL 9016 traffic white

Max. load capacity of the support arm: 21 kg

Load capacity of the tray: 10 Kg

Balancing range: 1-4 Kg

Product weight: 5.6 Kg



Assembly Information - Mindray Adapter

Part Number: WM 337.122

450+230mm Height Adjustable Horizontal Medical Double Arm for Laptop, Mount on Mindray Medical Power Supply Device

Mindray Adapter:

For mounting on Mindray Medical Power Supply Device

