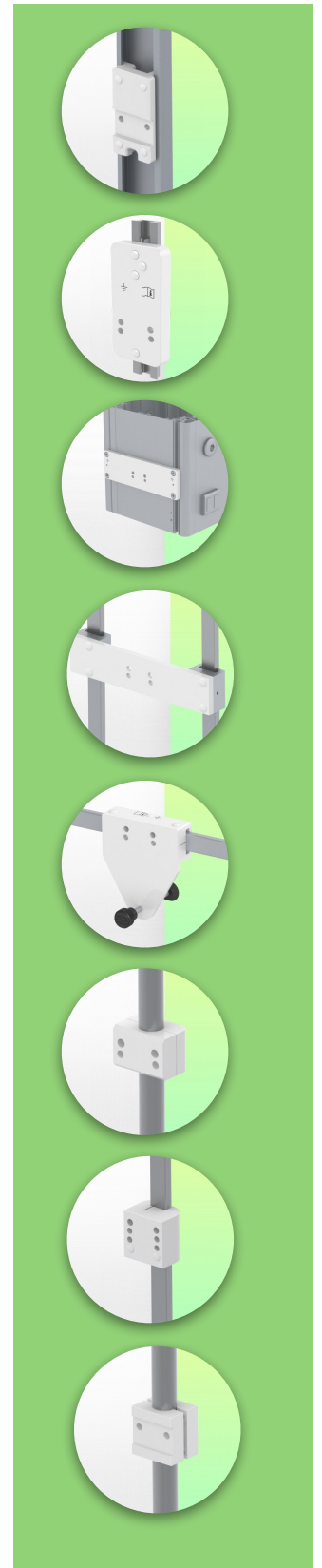


**Presentation**

**Part Number: WM 337.123**

**450mm Height Adjustable Horizontal Medical Arm for Laptop, Attachment to Amico Medical Device Pendants and Headwalls**



**450mm Height Adjustable Horizontal Medical Arm for Laptop, Attachment to Amico Medical Device Pendants and Headwalls**

This 450 mm height-adjustable medical arm allows you to fix, orient and adjust your laptop perfectly. It is coated with an anti-microbial agent offering hygiene and cleaning in every detail. Its modern design has been specially designed for healthcare environments.

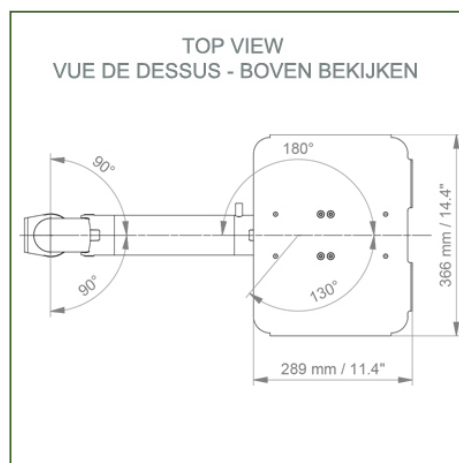
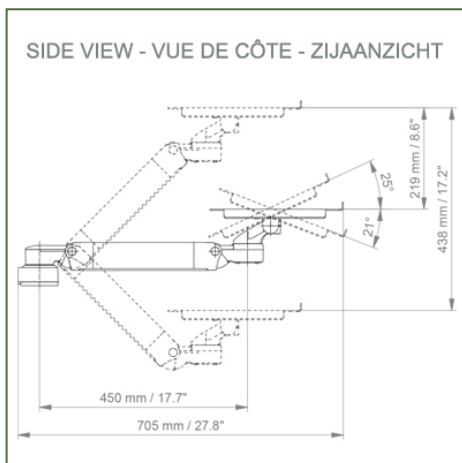
**Technical specifications:**

- \* Integrated cable passage
- \* Fixing on Amico pendants and headwalls
- \* This 450 mm height-adjustable arm simply slides into the existing rail of the machine
- \* The laptop support supplied in this version has the dimensions of: 360 x 290 mm
- \* The weight supported by the arm is 21 kg and 10 kg for the tray
- \* Rotation of the Laptop support: 130 ° to the right and 180 ° to the left, tilt 21 ° down and 25 ° up
- \* Rotation of the arm: 90 ° to the right and left.
- \* Total length 705 mm
- \* Color RAL 7024 (Graphite gray) and White
- \* All our medical arms are compliant with: CE, ROHS, Medical Grade, MDD 93/42 ECC regulations.
- \* Warranty: 5 years

**Technical specifications:**

**Part Number: WM 337.123**

**450mm Height Adjustable Horizontal Medical Arm for Laptop, Attachment to Amico Medical Device Pendants and Headwalls**



**Laptop stand dimensions: 360 x 280 mm**

**Colour: Decorative parts: RAL 5013 cobalt blue**

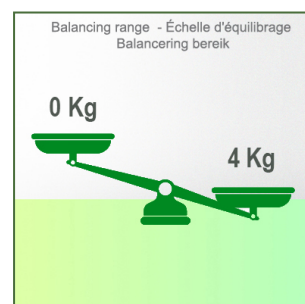
**Aluminium parts: RAL 9016 traffic white**

**Max. load capacity of the support arm: 21 kg**

**Load capacity of the tray: 10 Kg**

**Balancing range: 1-4 Kg**

**Product weight: 4.6 Kg**



Installation information - Amico adapter

Part Number: WM 337.123

450mm Height Adjustable Horizontal Medical Arm for Laptop, Attachment to Amico Medical Device Pendants and Headwalls

Amico Adapter:

Mounting on Amico medical device pendants and headwalls

