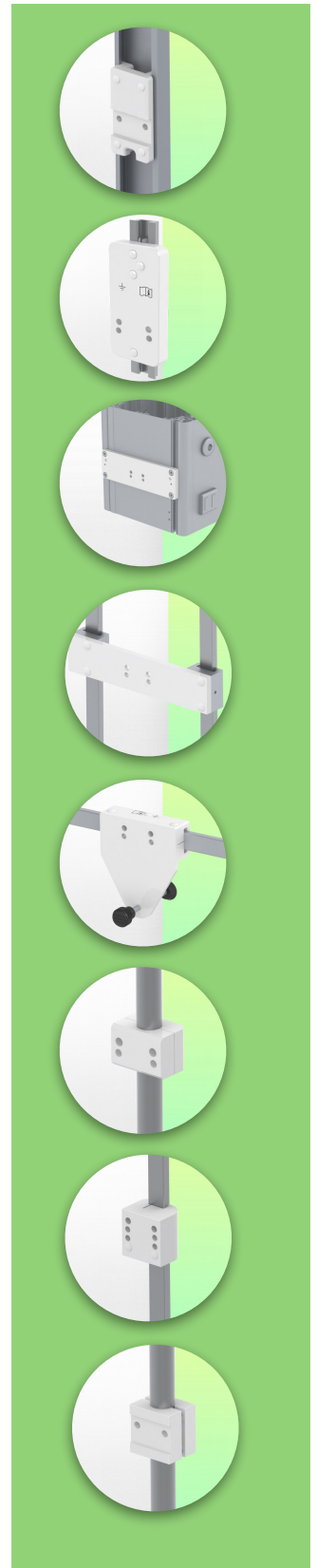
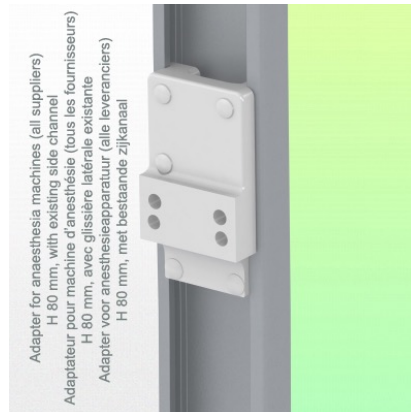


Presentation

Part Number: WM 337.125

450mm Height Adjustable Horizontal Medical Arm for Laptop, Mounting on Anesthesia Machines (All Manufacturers)



450mm Height Adjustable Horizontal Medical Arm for Laptop, Mounting on Anesthesia Machines (All Manufacturers)

This 450 mm height-adjustable medical arm allows you to fix, orient and adjust your laptop perfectly. It is coated with an anti-microbial agent offering hygiene and cleaning in every detail. Its modern design has been specially designed for healthcare environments.

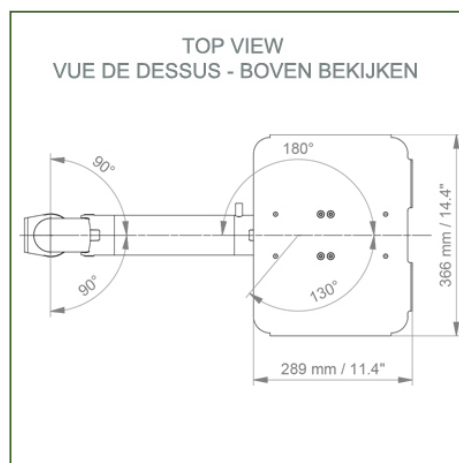
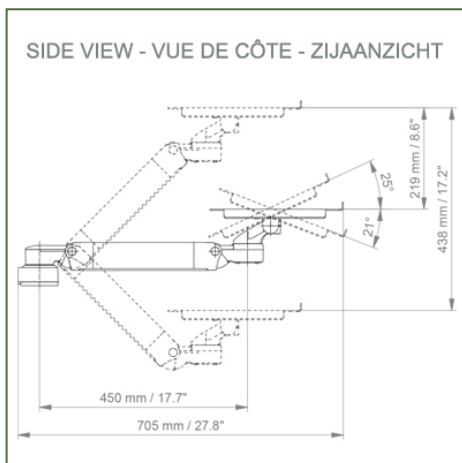
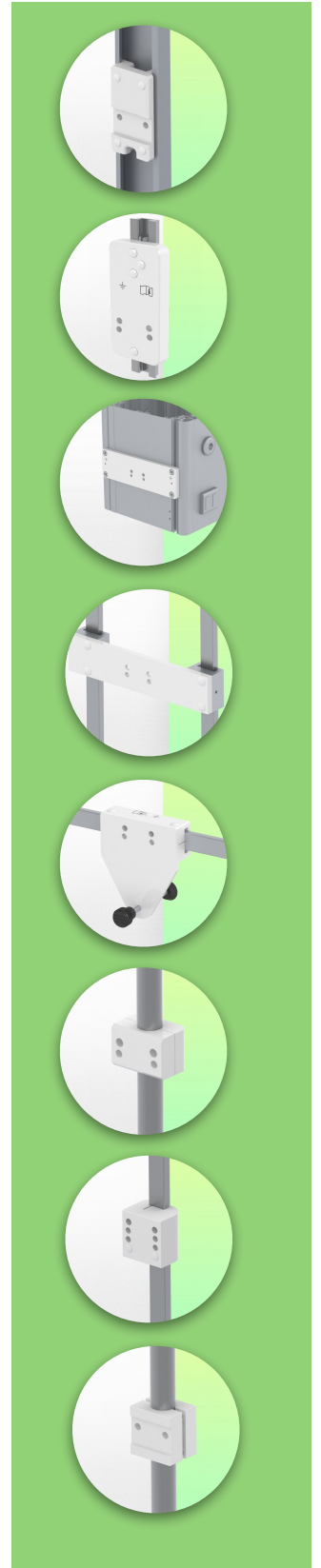
Technical specifications:

- * Integrated cable passage
- * Fixing on Anesthesia Machine (All manufacturers)
- * This 450 mm height-adjustable arm simply slides into the existing rail of the machine
- * The laptop support supplied in this version has the dimensions of: 360 x 290 mm * The weight supported by the arm is 21 kg and 10 kg for the tray
- * Rotation of the Laptop support: 130 ° to the right and 180 ° to the left, tilt 21 ° down and 25 ° up* Rotation of the arm: 90 ° to the right and left.
- * Total length 705 mm
- * Color RAL 7024 (Graphite gray) and White
- * All our medical arms are compliant with: CE, ROHS, Medical Grade, MDD 93/42 ECC regulations.
- * Warranty: 5 years

Technical specifications:

Part Number: WM 337.125

450mm Height Adjustable Horizontal Medical Arm for Laptop, Mounting on Anesthesia Machines (All Manufacturers)



Laptop stand dimensions: 360 x 280 mm

Colour: Decorative parts: RAL 5013 cobalt blue

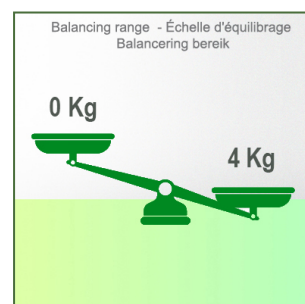
Aluminium parts: RAL 9016 traffic white

Max. load capacity of the support arm: 21 kg

Load capacity of the tray: 10 Kg

Balancing range: 1-4 Kg

Product weight: 4.6 Kg



Mounting Information - Anesthesia Rail Adapter

Part Number: WM 337.125

450mm Height Adjustable Horizontal Medical Arm for Laptop, Mounting on Anesthesia Machines (All Manufacturers)

**Anesthesia Rail Adapter:
Mounting on Anesthesia Machines (All Manufacturers)**

Mounting on the existing rail of the anesthesia machine with this adapter

