

Presentation

Part Number: WM 337.127

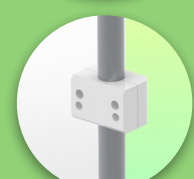
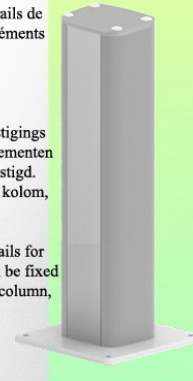
450mm Height Adjustable Horizontal Medical Arm for Laptop, Table Column Mount



Cette colonne possède deux rails de fixation pour les différents éléments qui y seront fixés.
1 rail à l'avant de la colonne,
1 rail à l'arrière

Deze kolom heeft twee bevestigings rails voor de verschillende elementen die eraan zullen worden bevestigd.
1 rail aan de voorkant van de kolom,
1 rail aan de achterkant

This column has two fixing rails for the various elements that will be fixed to it. 1 rail at the front of the column, 1 rail at the back)



450mm Height Adjustable Horizontal Medical Arm for Laptop, Table Column Mount

This 450 mm height-adjustable medical arm allows you to fix, orient and adjust your laptop perfectly. It is coated with an anti-microbial agent offering hygiene and cleaning in every detail. Its modern design has been specially designed for healthcare environments.

Technical specifications:

- * Fixing on table column
- * This 450 mm height-adjustable arm simply attaches to the column
- * The laptop support delivered in this version has the dimensions of: 360 x 290 mm
- * The weight supported by the arm is 21 kg and 10 kg for the tray
- * Rotation of the Laptop support: 130 ° to the right and 180 ° left, tilt 21 ° down and 25 ° up
- * Rotation of the arm: 90 ° to the right and left.
- * Total length 705 mm
- * Color RAL 7024 (Graphite gray) and White
- * All our medical arms are compliant with: CE, ROHS, Medical Grade, MDD 93/42 ECC regulations.
- * Warranty: 5 years

Technical specifications:

Part Number: WM 337.127

450mm Height Adjustable Horizontal Medical Arm for Laptop, Table Column Mount



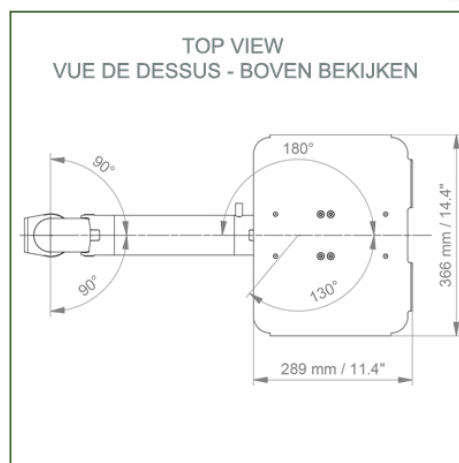
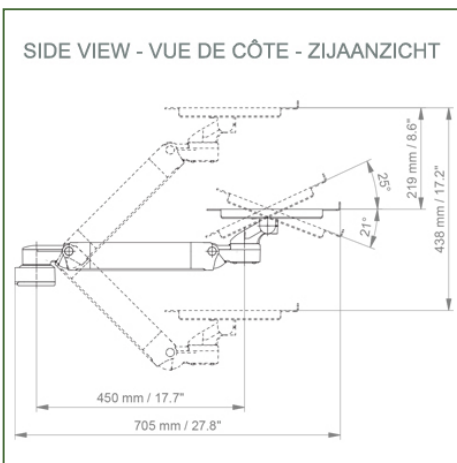
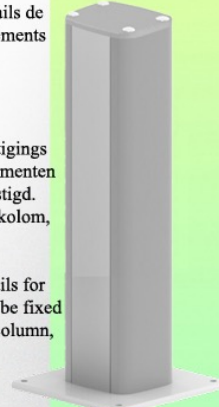
Cette colonne possède deux rails de fixation pour les différents éléments qui y seront fixés.

1 rail à l'avant de la colonne,
1 rail à l'arrière

Deze kolom heeft twee bevestigings rails voor de verschillende elementen die eraan zullen worden bevestigd.

1 rail aan de voorkant van de kolom,
1 rail aan de achterkant

This column has two fixing rails for the various elements that will be fixed to it. 1 rail at the front of the column, 1 rail at the back)



Laptop stand dimensions: 360 x 280 mm C

Colour: Decorative parts: RAL 5013 cobalt blue

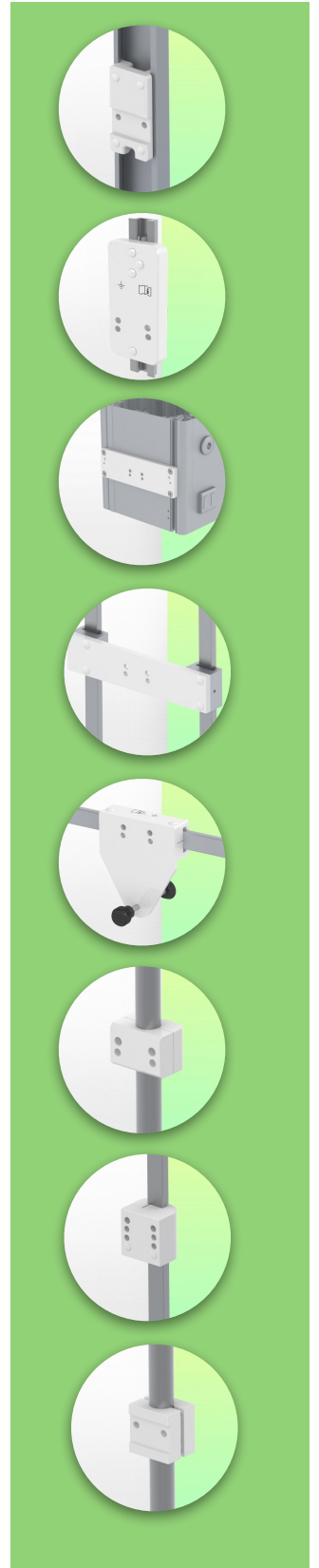
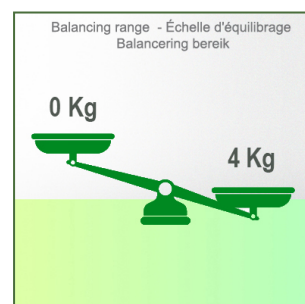
Aluminium parts: RAL 9016 traffic white

Max. load capacity of the support arm: 21 kg

Load capacity of the tray: 10 Kg

Balancing range: 1-4 Kg

Product weight: 4.6 Kg



Mounting Information - Column Slide Rail

Part Number: WM 337.127

450mm Height Adjustable Horizontal Medical Arm for Laptop, Table Column Mount

Table Column:

To install this medical arm you must use one of our medical columns. These are available in standard heights of 500 and 300 mm. Custom heights are available on request. Slide covers and end caps are supplied with each order.

