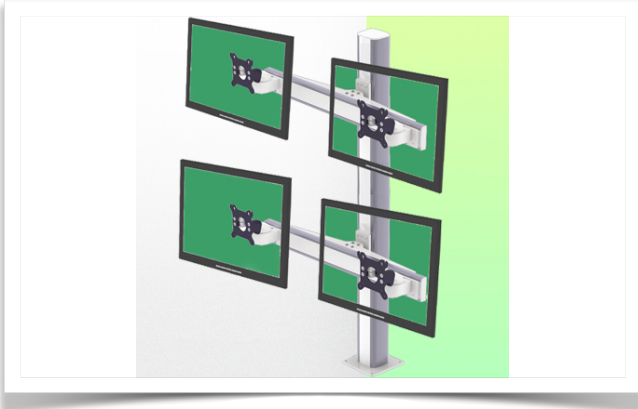


**Presentation**

**Part Number: WM 996.120**

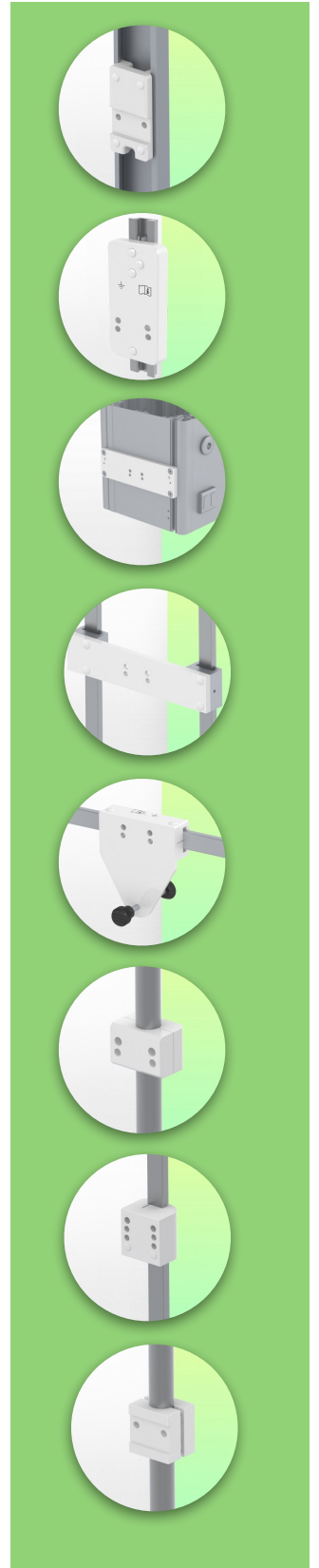
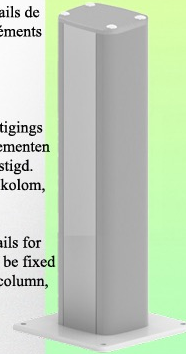
**700 mm medical column with two horizontal arms for four screens**



Cette colonne possède deux rails de fixation pour les différents éléments qui y seront fixés.  
1 rail à l'avant de la colonne,  
1 rail à l'arrière

Deze kolom heeft twee bevestigings rails voor de verschillende elementen die eraan zullen worden bevestigd.  
1 rail aan de voorkant van de kolom,  
1 rail aan de achterkant

This column has two fixing rails for the various elements that will be fixed to it. 1 rail at the front of the column,  
1 rail at the back)



**700 mm medical column with two horizontal arms for four screens**

This 700 mm medical column allows four screens to be perfectly fixed, oriented and adjusted horizontally.

The entire unit is coated with an anti-microbial agent to ensure hygiene and cleaning in every detail.

Its modern design has been specially developed for healthcare environments.

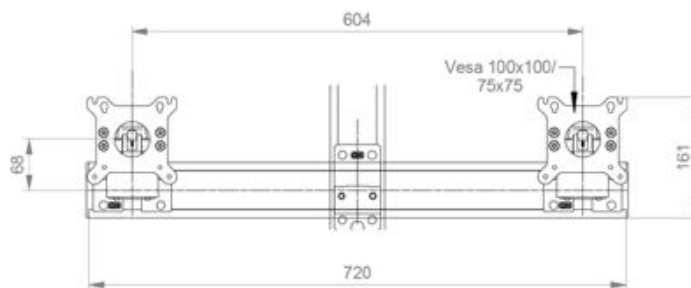
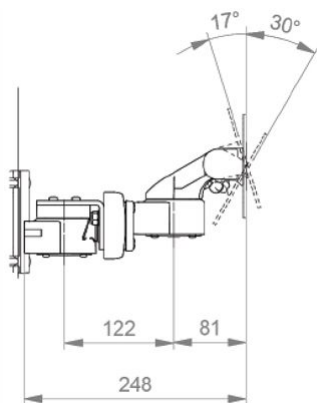
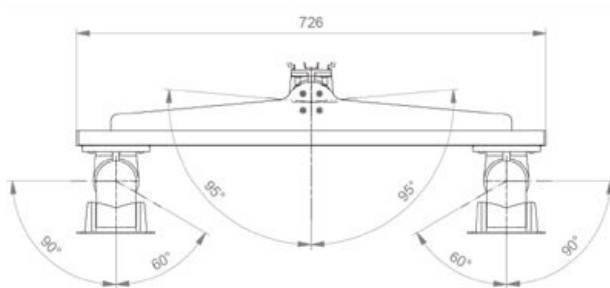
These technical features:

- \* Integrated cable management
- \* This column can be easily cut to size.
- \* All cables are routed through the column, the horizontal rail and the mini arms. No cables are visible. Two cable covers are supplied with this configuration.
- \* The column has a front and a back panel to allow the addition of other elements, these simply slide into the column simply slide into the column and then adjust to the desired height and and fixed.  
(see our medical accessories)
- \* The heads of the 4 mini arms, are in accordance with the standard of mounting of the VESA MIS-D 75 mm and 100 mm. Rotating tilt head.
- \* Compatible with screens weighing up to 16 kg.
- \* Stability of the touch screen.
- \* Screen tilt: 30° down and 17° up
- \* Screen rotation: 60°/90° right, 90°/60° left.
- \* Horizontal arm rotation: 95° right, 95° left.
- \* Horizontal arm length: 728 mm (Please check the dimensions of your screens)
- \* Column height: 700 mm
- \* Compatible with Multimedia Terminals (TMM)
- \* Colour RAL 7024 (Graphite Grey) and White
- \* All our medical arms are in compliance with :  
CE, ROHS, Medical Grade, Regulations MDD 93/42 ECC.
- \* Warranty: 5 years

**Technical Specifications**

**Part Number: WM 996.120**

**700 mm medical column with two horizontal arms for four screens**



**Monitor adaptation: VESA 75/100 mm Colour: Decorative parts: RAL 5013 cobalt blue**

**Aluminium parts: RAL 9016 traffic white Max. load capacity of the support arm: 18 kg Max. load monitor adaptation: 18 Kg Product weight: 14 Kg**

**Mounting Information - Wall Slide Rail**

**Part Number: WM 996.120**

**700 mm medical column with two horizontal arms for four screens**

**Table column 700 mm:**

To install this medical arm, you need to use one of our medical columns. These are available in standard heights of 700, 500 and 300 mm. Custom heights are available on request. Slide covers and end caps are supplied with every order.

