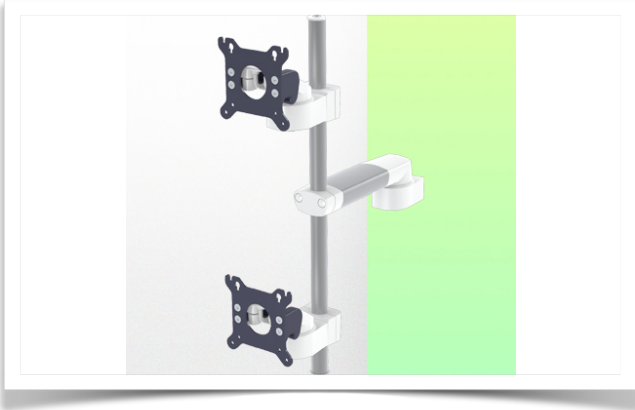


Presentation

Part Number: WM 998.845

Horizontal Medical Arm 240 mm with pole for two screens Vertical Wall Rail mounting with optional cable management



Horizontal Medical Arm 240 mm with pole for two screens Vertical Wall Rail mounting with optional cable management

This 240mm Horizontal Medical Arm with pole allows two LCD screens to be fixed, oriented and adjusted perfectly. It is coated with an anti-microbial agent to ensure hygiene and cleaning in every detail. Its modern design has been specially developed for healthcare environments.

Its technical features:

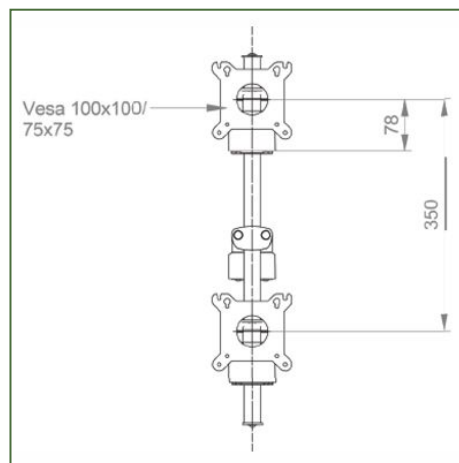
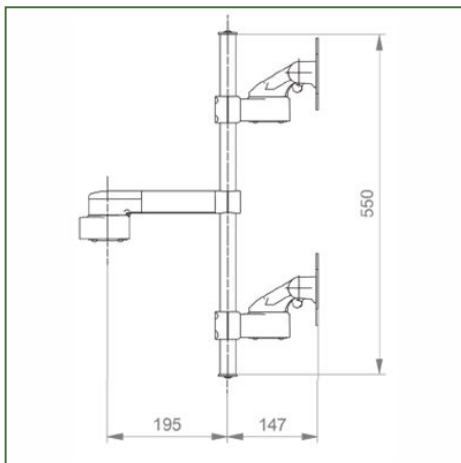
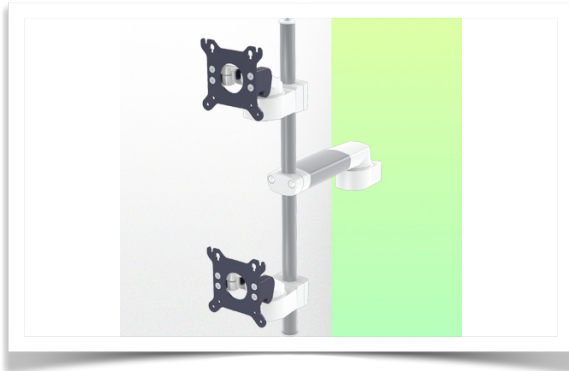
- * Integrated cable management * Optional Vertical Wall Rail mounting, of which several lengths are available available (480 mm - 720 mm - 960 mm - 1200 mm).
- * These wall rails can be easily cut to size. required. All cables are also routed through the wall rail. (See Option below) * This 240mm Horizontal Arm with Pole simply slides into the wall rail and simply slides into the wall rail and then adjusts to the required height and secures. Rotating Head. * The ball joints conform to the screen mounting standard: VESA MIS-D 75mm and 100mm.
- * Compatible with screens weighing up to 10 kg, i.e. 20 kg in total.
- * Stability of the touch screen. * Screen tilt: 20° down and 20° up
- * Screen rotation: 45° to the right, 45° to the left. * Arm rotation: 45° right, 45° left. Total length 387 mm * Compatible with multimedia terminals (TMM)
- * Colour RAL 7024 (Graphite grey) and White * All our medical arms are in conformity with : CE, ROHS, Medical Grade, Regulations MDD 93/42 ECC.
- * Warranty: 5 years

Please note: This arm can also be installed on one of our columns or medical carts

Technical Specifications

Part Number: WM 998.845

Horizontal Medical Arm 240 mm with pole for two screens Vertical Wall Rail mounting with optional cable management



Monitor adaptation: VESA 75/100 mm

Colour: Decorative parts: RAL 5013 cobalt blue Aluminium parts: RAL 9016 traffic white

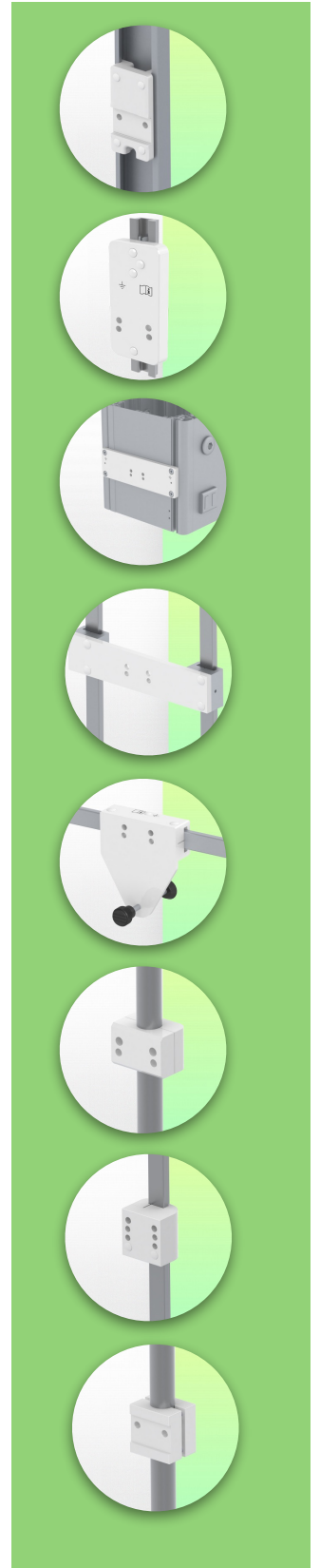
Max. load capacity of the support arm: 2 x 10 kg

Monitor adaptation Max. load capacity: 2 x 10 Kg

Product weight: 6,4 Kg

Points forts du produit:

Non-height adjustable arm. The extended swivel arms and swivel arms provide full cable integration and easy cleaning for infection control in all ICU areas of the clinical environment. Our 5-year warranty guarantees reliable, trouble-free and maintenance-free operation. The swivel function at the attachment point as well as the tilt and swivel function of the monitor adapter provide optimal positioning of your device. The extended swing arm is a two-part arm with a central pivot point between the two sections of the arm. All bottom-mounted monitors have the safety function of a 20° tilt stop.



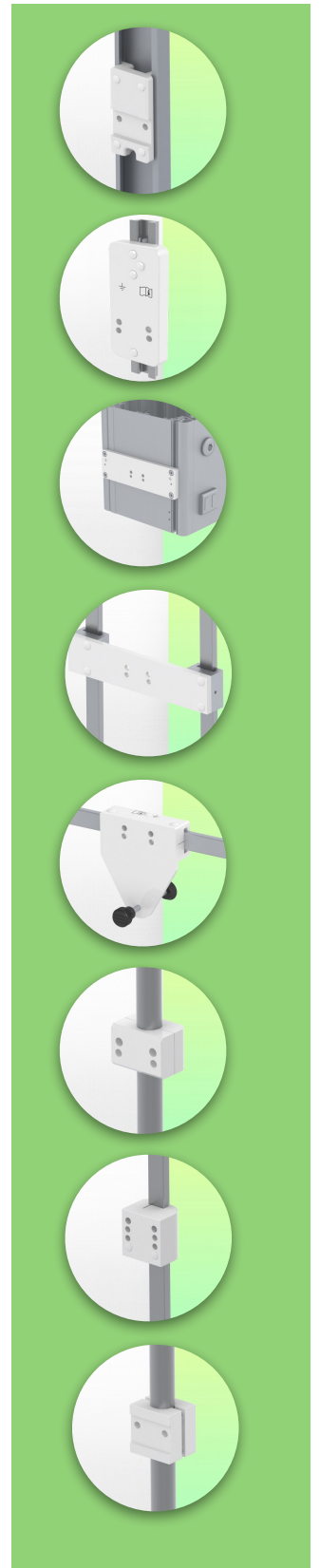
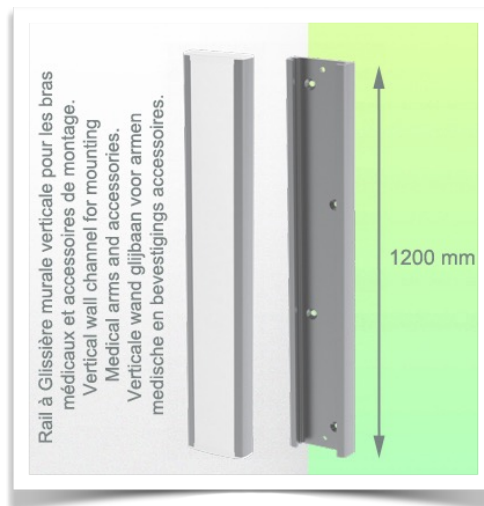
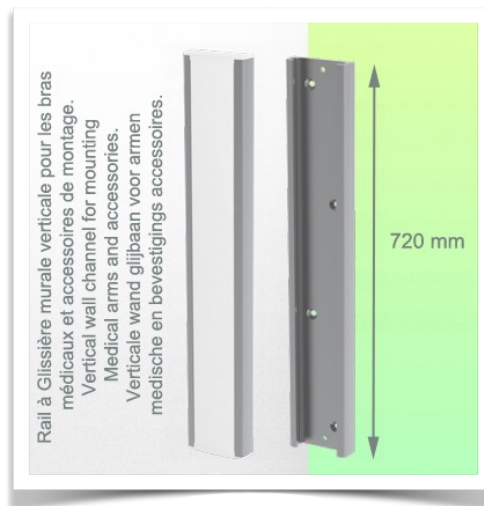
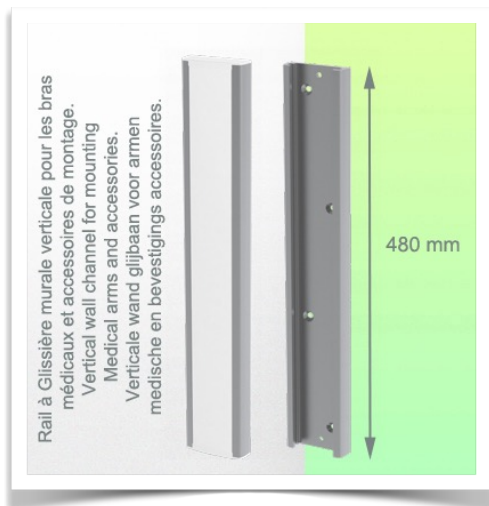
Mounting Information - Wall Slide Rail

Part Number: WM 998.845

Horizontal Medical Arm 240 mm with pole for two screens Vertical Wall Rail mounting with optional cable management

Wall Slide Rail:

To install this short pivot medical arm, you must either use an existing rail from your facility or order one of our slide rails. These are available in standard lengths of 480 mm, 720 mm, 960 mm and 1200 mm. Custom lengths are available on request. Slide covers and end caps supplied with each order.



Mounting information - Mounting options

Part Number: WM 998.845

Horizontal Medical Arm 240 mm with pole for two screens Vertical Wall Rail mounting with optional cable management

Where do you want to mount the support arm?

At the hospital, there are different ways to fix our brackets: round tube, standard rail, wall rail or on an anaesthesia machine. We will always provide you with the adapter you need.



Adapter for vertical wall slide
For wall slide mounting



Adapter for Amico remote controls and wall panels



Adapter for Mindray medical power supply units



Double clamp for vertical standard rail
For mounting on two parallel vertical standard rails 10 x 25 mm



Fixed clamp for a standard rail
For mounting on a horizontal standard rail 10 x 25, 8 x 35, 10 x 30, 10 x 50 mm



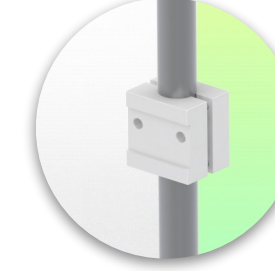
Fixed clamp for round tube
For mounting on round tube \varnothing 25, 35, 38 mm



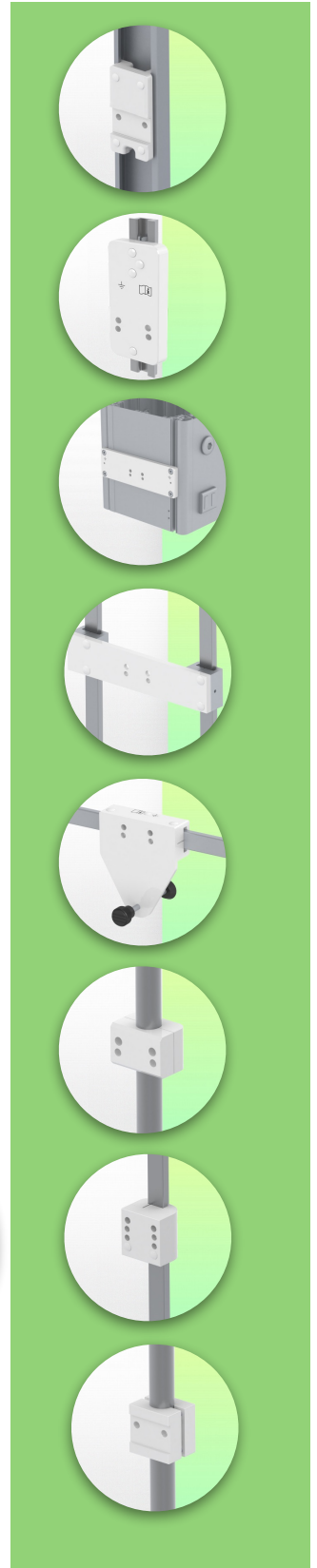
Adapter for Maquet anaesthesia machines
Cone Adapter for Model FLOW i



Adapter for Löwenstein anaesthesia machines
Medical Adapter for Leon / Leon plus



Universal round tube clamp
V-clamp for mounting on round tube \varnothing 23 - 40 mm



Mounting information - Mounting options

Part Number: WM 998.845

Horizontal Medical Arm 240 mm with pole for two screens Vertical Wall Rail mounting with optional cable management

Where do you want to mount the support arm?

At the hospital, there are different ways to fix our brackets: round tube, standard rail, wall rail or on an anaesthesia machine. We will always provide you with the adapter you need.



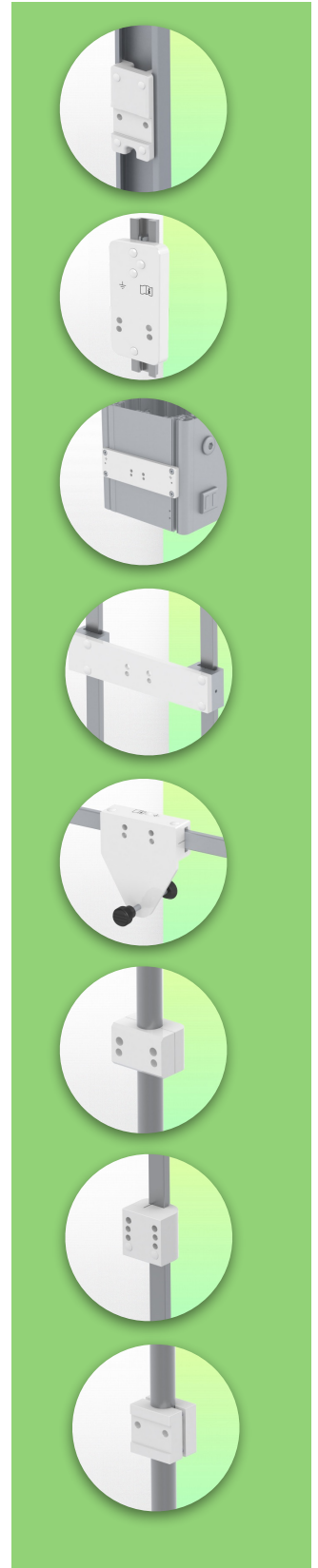
Adapter for anaesthesia machine (all suppliers)

H 80 mm, with existing side rail



Clamp for a vertical standard rail

For mounting on standard rail 10 x 25 mm



Compatible accessories for this mount

Part Number: WM 998.845

Horizontal Medical Arm 240 mm with pole for two screens Vertical Wall Rail mounting with optional cable management

Compatible accessories for this short pivot arm

You can complete your installation with these additional accessories:



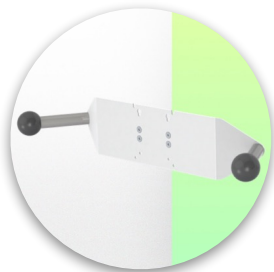
Triple hook for cable For mounting on support arm



Double hook for cable For mounting on support arm



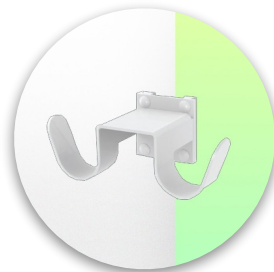
Downward pole with cable hook For mounting on support arm



Double handle with VESA mounting For VESA monitors



Handle for VESA monitor support For VESA monitors



Double hook for cable For mounting on a wall or column rail



Triple hook for cable For wall or column rail mounting



Considered to be the world's best in advanced hygiene control, our medical mounting systems include cable integration, a 5-year maintenance-free warranty and medical grade compliance. We're simply the best in the world at what we do.

