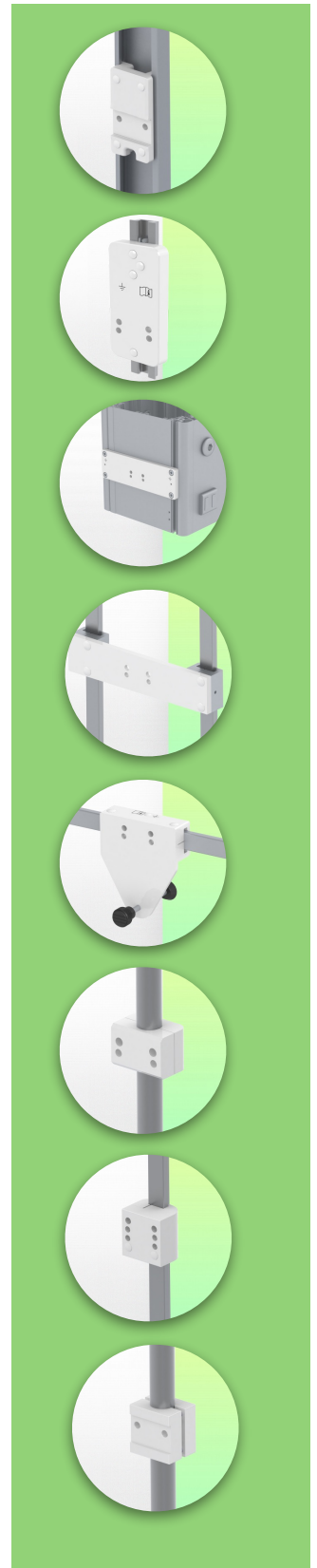
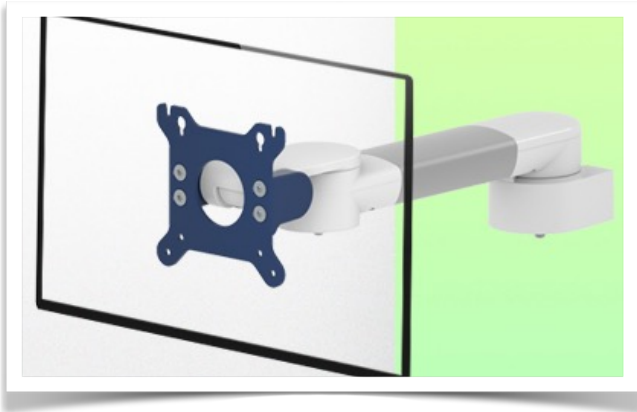


**Presentation**

**Part Number: WM 222.114**

**300 mm Horizontal Medical Arm for VESA display, Mounting on Fixed pole clamp  
ø 25, 35, 38 mm**



**300 mm Horizontal Medical Arm for VESA display, Mounting on Fixed pole clamp ø 25, 35, 38 mm**

This 300mm Horizontal Arm allows the VESA screen to be perfectly fixed, oriented and adjusted. It is coated with an anti-microbial agent for hygiene and cleaning down to the last detail. Its modern design has been specially designed for healthcare environments.

**Technical specifications:**

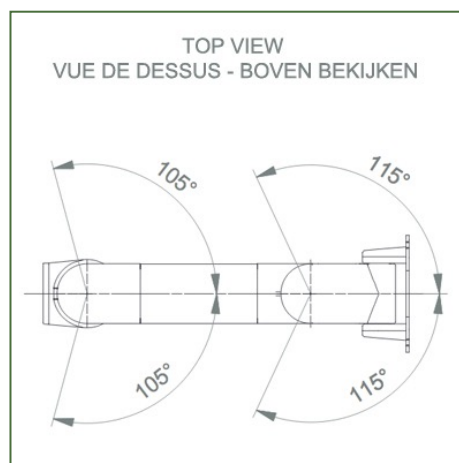
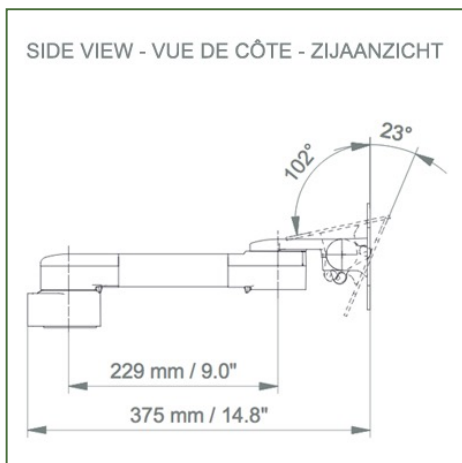
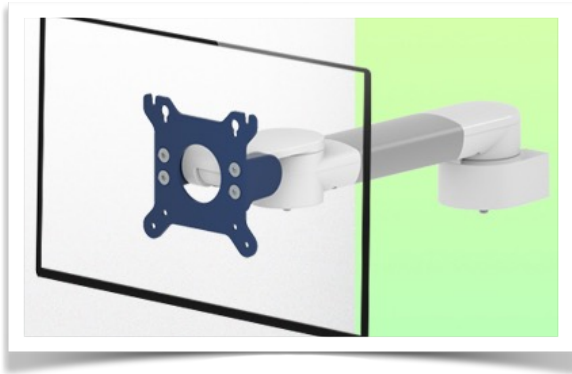
- \* Integrated cable management
- \* Mounting on Fixed pole clamp ø 25, 35, 38 mm
- \* This medical arm simply attaches to the pole and then adjusts to the pole and clamped with the two clamps. It has no height adjustment.
- \* The head of this arm complies with the VESA MIS-D 75 mm and 100 mm screen mounting standard. Rotary head.
- \* Compatible with screens weighing up to 18 Kg.
- \* Touch screen stability.
- \* Screen tilt: 50° down and 100° up. Screen rotation: 110° right, 110° left.
- \* Arm rotation: 105° right, 105° left.
- \* All our medical arms are CE, ROHS, Medical Grade, Regulations MDD 93/42 ECC compliant.
- \* Colour RAL 5013 cobalt blue and RAL 9016 traffic white
- \* Warranty: 5 years

\* Please specify the diameter of the Pole when ordering.

**Technical Specifications**

**Part Number: WM 222.114**

**300 mm Horizontal Medical Arm for VESA display, Mounting on Fixed pole clamp  
ø 25, 35, 38 mm**



**Monitor adaptation:** VESA 75/100 mm

**Colour:** Decorative parts: RAL 5013 cobalt blue Aluminium parts: RAL 9016 traffic white

**Max. load capacity of the support arm:** 18 kg

**Monitor adaptation Max. load capacity:** 18 Kg

**Product weight:** 1,9 Kg

**Points forts du produit:**

Non-height adjustable arm. The extended swivel arms and swivel arms provide full cable integration and easy cleaning for infection control in all ICU areas of the clinical environment. Our 5-year warranty guarantees reliable, trouble-free and maintenance-free operation. The swivel function at the attachment point as well as the tilt and swivel function of the monitor adapter provide optimal positioning of your device. The extended swing arm is a two-part arm with a central pivot point between the two sections of the arm. All bottom-mounted monitors have the safety function of a 20° tilt stop.

**Mounting Information - Fixed pole clamp**

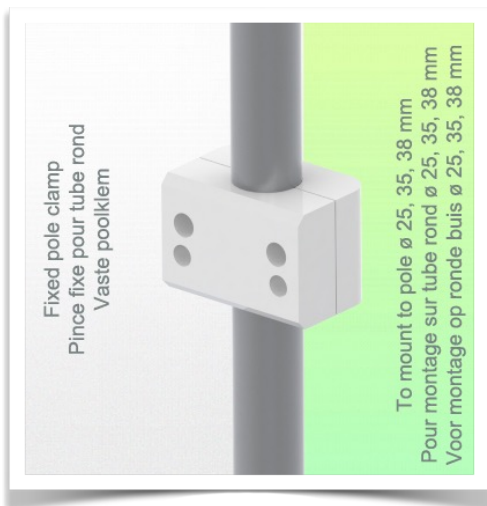
**Part Number: WM 222.114**

**300 mm Horizontal Medical Arm for VESA display, Mounting on Fixed pole clamp  
ø 25, 35, 38 mm**

**Fixed pole clamp:**

To mount to pole ø 25, 35, 38 mm

\* Please specify the diameter of the Pole when ordering.



**Mounting information - Mounting options**

**Part Number: WM 222.114**

**300 mm Horizontal Medical Arm for VESA display, Mounting on Fixed pole clamp  
ø 25, 35, 38 mm**

**Where do you want to mount the support arm?**

At the hospital, there are different ways to fix our brackets: round tube, standard rail, wall rail or on an anaesthesia machine. We will always provide you with the adapter you need.



**Adapter for vertical wall slide**  
For wall slide mounting



**Adapter for Amico remote controls and wall panels**



**Adapter for Mindray medical power supply units**



**Double clamp for vertical standard rail**  
For mounting on two parallel vertical standard rails 10 x 25 mm



**Fixed clamp for a standard rail**  
For mounting on a horizontal standard rail 10 x 25, 8 x 35, 10 x 30, 10 x 50 mm



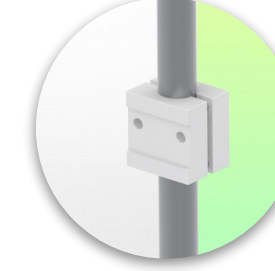
**Fixed clamp for round tube**  
For mounting on round tube ø 25, 35, 38 mm



**Adapter for Maquet anaesthesia machines**  
Cone Adapter for Model FLOW i



**Adapter for Löwenstein anaesthesia machines**  
Medical Adapter for Leon / Leon plus



**Universal round tube clamp**  
V-clamp for mounting on round tube ø 23 - 40 mm



**Mounting information - Mounting options**

**Part Number: WM 222.114**

**300 mm Horizontal Medical Arm for VESA display, Mounting on Fixed pole clamp  
ø 25, 35, 38 mm**

**Where do you want to mount the support arm?**

At the hospital, there are different ways to fix our brackets: round tube, standard rail, wall rail or on an anaesthesia machine. We will always provide you with the adapter you need.



**Adapter for anaesthesia machine (all suppliers)**

H 80 mm, with existing side rail



**Clamp for a vertical standard rail**

For mounting on standard rail 10 x 25 mm



Considered to be the world's best in advanced hygiene control, our medical mounting systems include cable integration, a 5-year maintenance-free warranty and medical grade compliance. We're simply the best in the world at what we do.





**Compatible accessories for this mount**

**Part Number: WM 222.114**

**300 mm Horizontal Medical Arm for VESA display, Mounting on Fixed pole clamp  
ø 25, 35, 38 mm**

**Compatible accessories for this 300 mm Horizontal Arm**

You can complete your installation with these additional accessories:



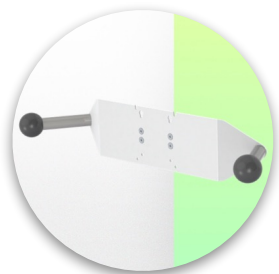
**Triple hook for cable**  
For mounting on support arm



**Double hook for cable**  
For mounting on support arm



**Downward pole with cable hook**  
For mounting on support arm



**Double handle with VESA mounting**  
For VESA monitors



**Handle for VESA monitor support**  
For VESA monitors



**Double hook for cable**  
For wall or column rail mounting



**Triple hook for cable**  
For wall or column rail mounting



**Basket**  
For wall or column rail mounting



**Downward Pole**  
For wall or column rail mounting

