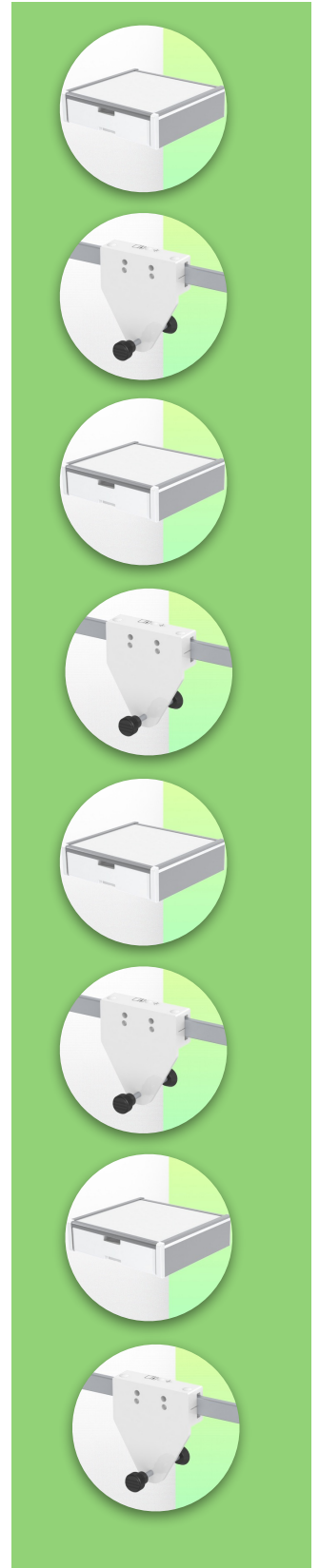
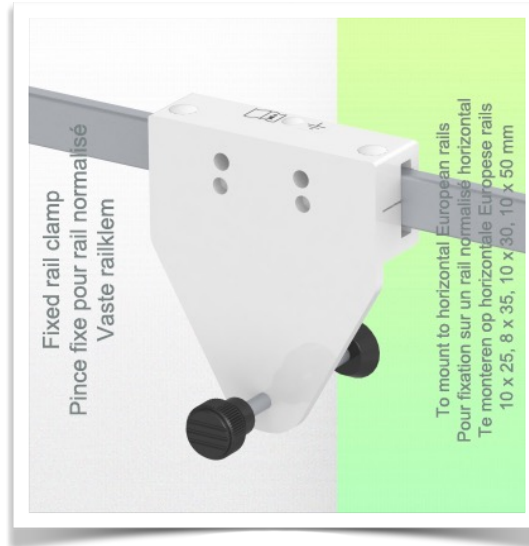


Présentation

Part Number: WM 227.118

Medical Drawer with (2) side rails 25 x 10 x 350 mm Internal dimensions 375 x 335 x 85 mm For mounting on horizontal standard rails 10 x 25, 8 x 35, 10 x 30, 10 x 50 mm



Medical drawer for mounting on horizontal standard rails

This storage drawer with an internal dimension of 375 x 335 x 85 mm is the ideal space for storing all medical accessories. Its anodised, HPL and ABS surface is scratch, shock and disinfectant resistant.

The materials used are aluminium and HPL (high pressure laminate).

Technical specifications:

External dimensions: 440 x 413 x 120 mm (W x D x H)

Internal dimensions of drawer: 375 x 335 x 85 mm (W x D x H)

Material: Aluminium, (high pressure laminate), ABS

Surface: Anodised, HPL and ABS (= scratch, impact and disinfectant resistant)

(2) side rails 25 x 10 x 350 mm

Max. worktop load capacity: 25 kg

Drawer load capacity max: 5 Kg

Fixed clamp for horizontal standard rail included in this configuration

Color: Aluminium and White

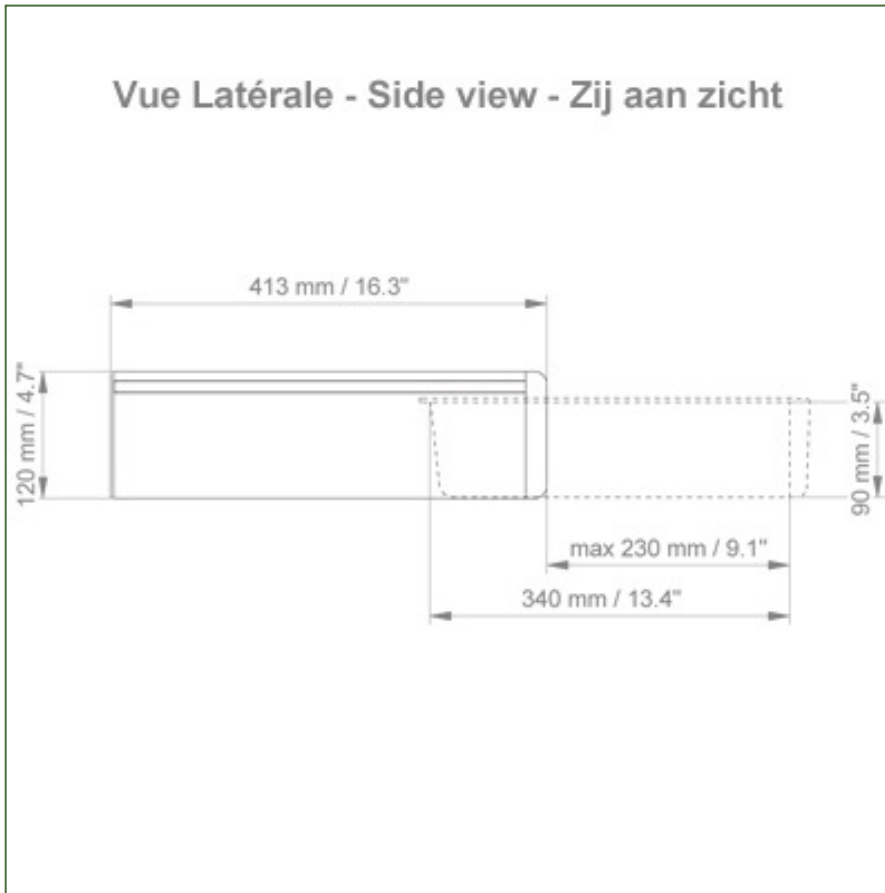
Warranty: 5 Years

*

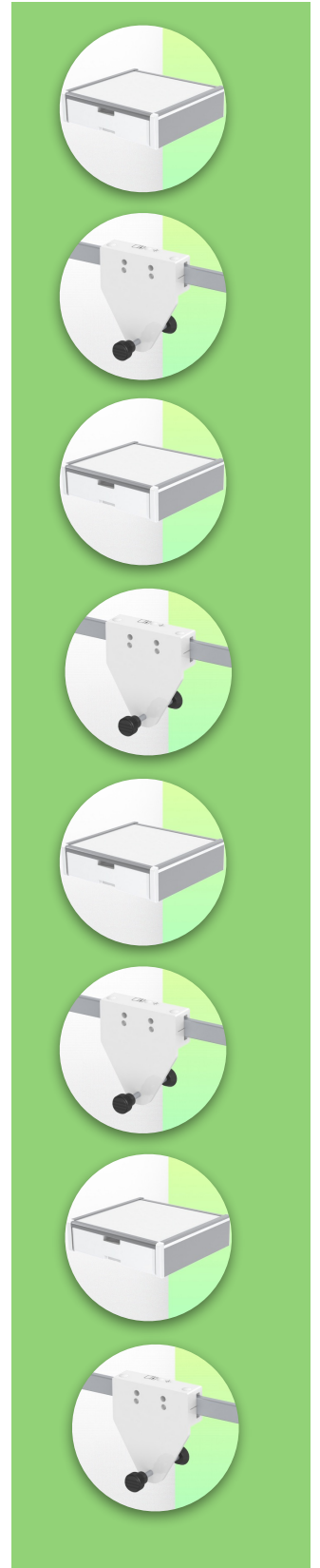
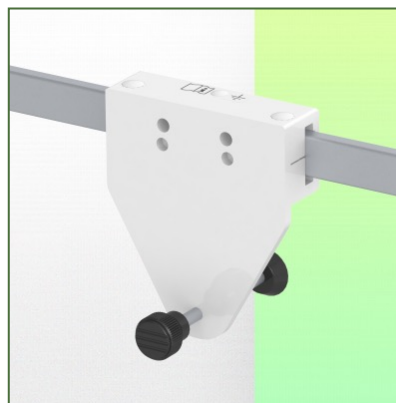
Technical specifications

Part Number: WM 227.118

Medical Drawer with (2) side rails 25 x 10 x 350 mm Internal dimensions 375 x 335 x 85 mm For mounting on horizontal standard rails 10 x 25, 8 x 35, 10 x 30, 10 x 50 mm



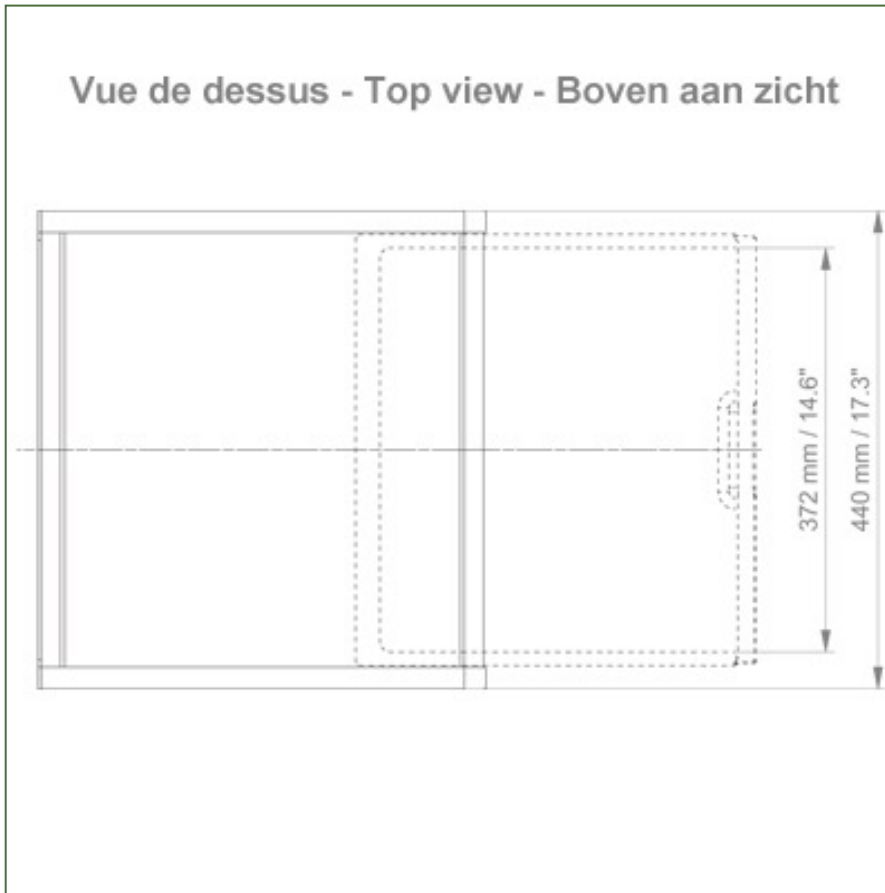
+



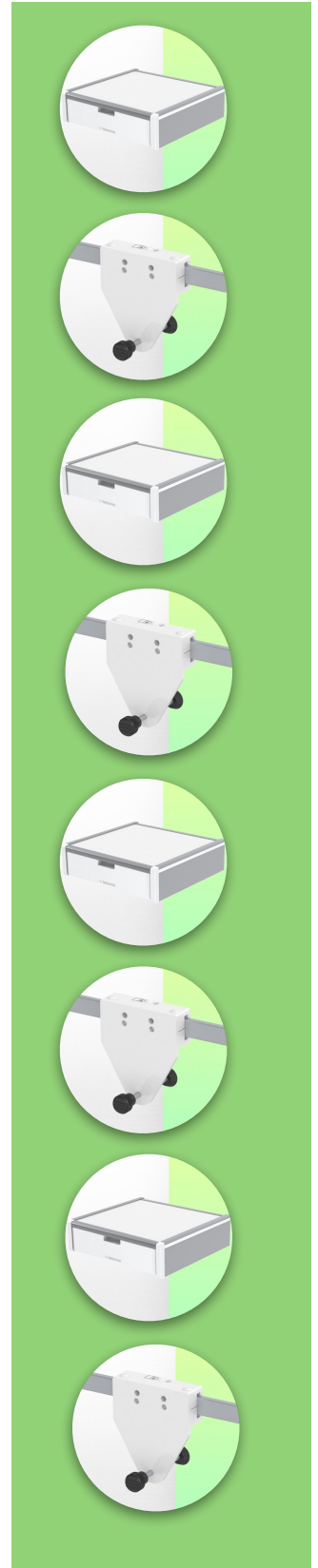
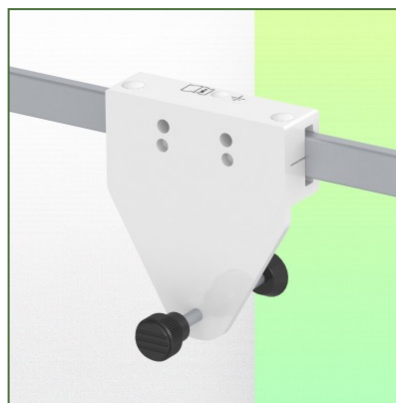
Technical specifications

Part Number: WM 227.118

Medical Drawer with (2) side rails 25 x 10 x 350 mm Internal dimensions 375 x 335 x 85 mm For mounting on horizontal standard rails 10 x 25, 8 x 35, 10 x 30, 10 x 50 mm



+



Technical specifications

Part Number: WM 227.118

Medical Drawer with (2) side rails 25 x 10 x 350 mm Internal dimensions 375 x 335 x 85 mm For mounting on horizontal standard rails 10 x 25, 8 x 35, 10 x 30, 10 x 50 mm

