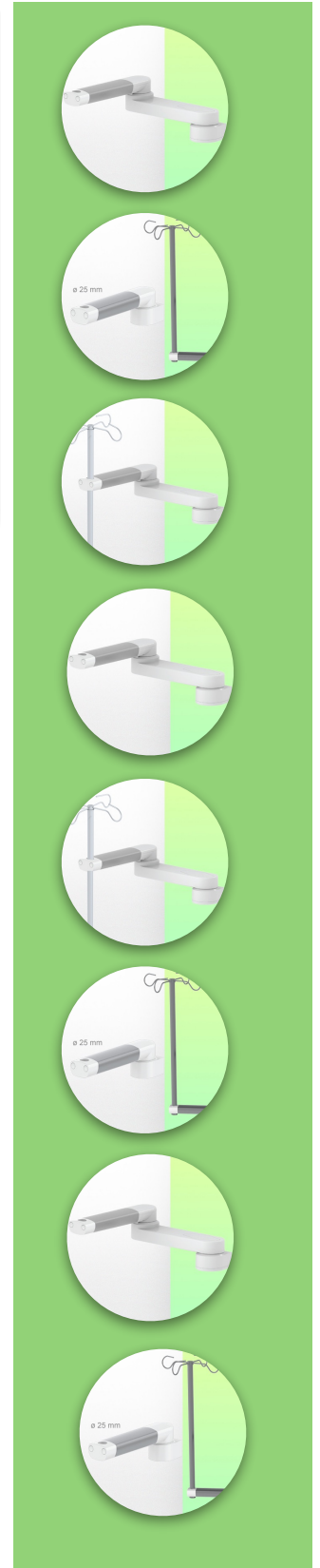
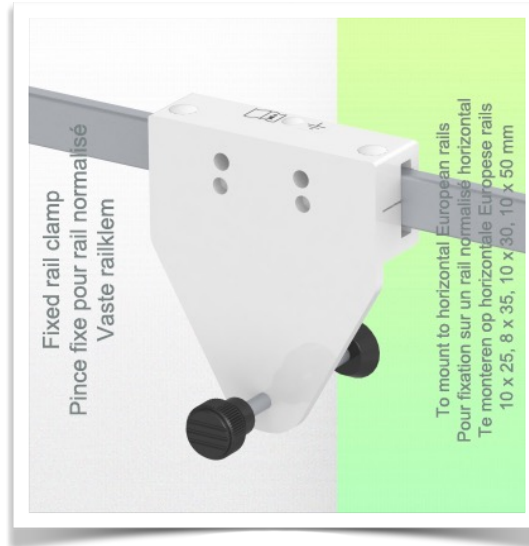


Presentation

Part Number: WM 227.135

Double Medical swivel arm for infusion pump stand 554 mm, For mounting on vertical standard rail 10 x 25 mm



This double swivel arm for infusion pump stands is standard with a length of 554 mm and allows a 25 mm diameter infusion pole or a pole with the same diameter to be fixed, oriented and adjusted perfectly. Rotation axis from the fixing: 90° to the right and 90° to the left. Central axis between the two arms 180° rotation

Maximum supported weight 23 kg including infusion pump.

Technical data:

- * Rotation of the arm from the fixation: 90° to the right, 90° to the left.
- * Central axis between the two arms 180° rotation
- * Length of the double arm 554 mm
- * Weight supported by the arm: 23 Kg
- * Color RAL 9002 grey-white
- * All our medical arms are in conformity: CE, ROHS, Medical Grade, Regulations MDD 93/42 ECC.
- * Fixed clamp for vertical standard rail included in this configuration
- * Fixing head for 25 mm diameter tube * Warranty: 5 years

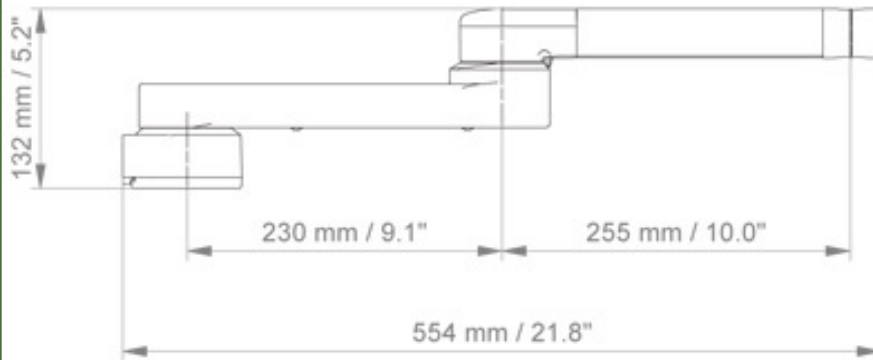
(See options for infusion pump stand in the accessories section)

Technical specifications

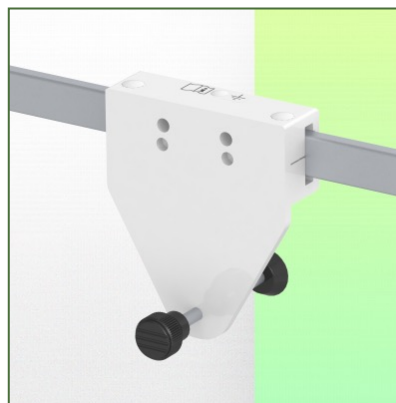
Part Number: WM 227.135

Double Medical swivel arm for infusion pump stand 554 mm, For mounting on vertical standard rail 10 x 25 mm

Vue Latérale - Side view - Zij aan zicht



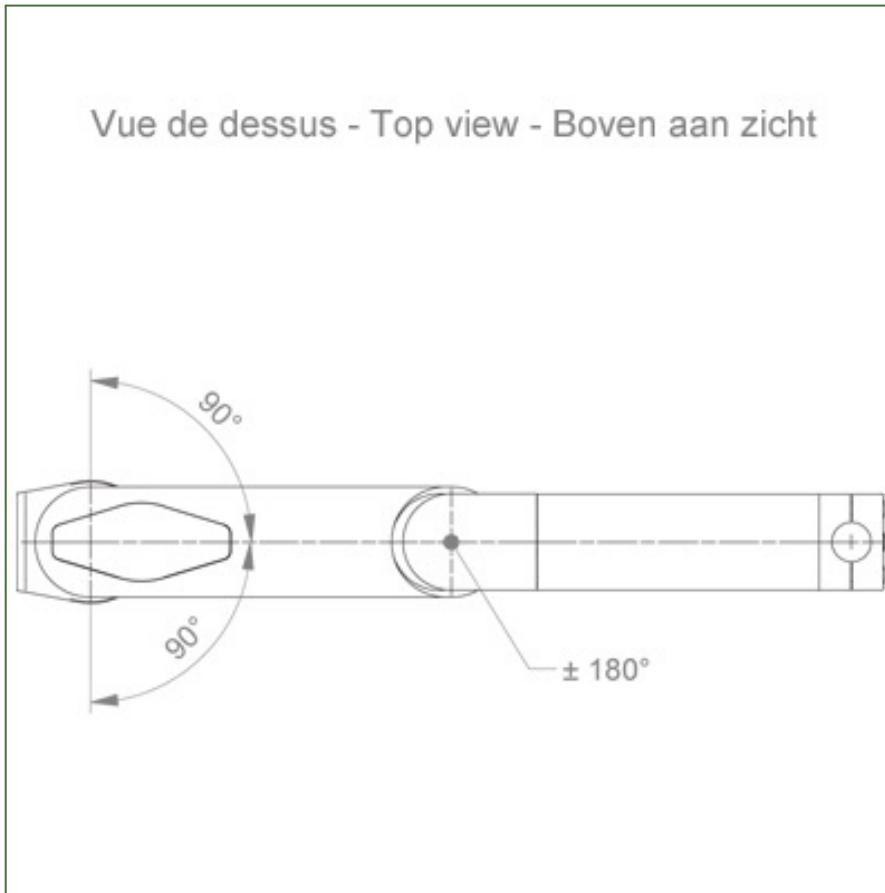
+



Technical specifications

Part Number: WM 227.135

Double Medical swivel arm for infusion pump stand 554 mm, For mounting on vertical standard rail 10 x 25 mm



+

