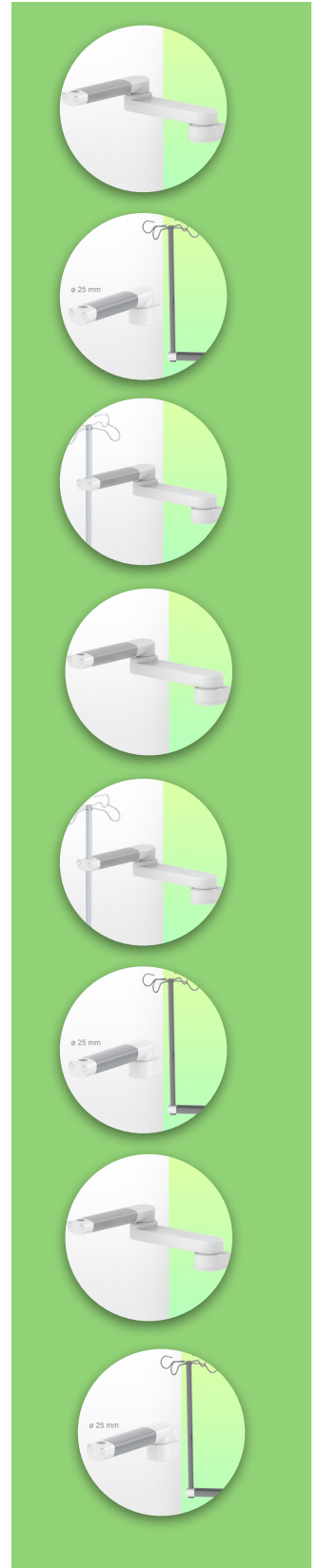


Presentation

Part Number: WM 227.136

Double Medical swivel arm for infusion pump stand 554 mm, for mounting on wall track



This double swivel arm for infusion pump stands is standard with a length of 554 mm and allows a 25 mm diameter infusion pole or a pole with the same diameter to be fixed, oriented and adjusted perfectly. Rotation axis from the fixing: 90° to the right and 90° to the left. Central axis between the two arms 180° rotation

Maximum supported weight 30 kg including infusion pump.

Technical data:

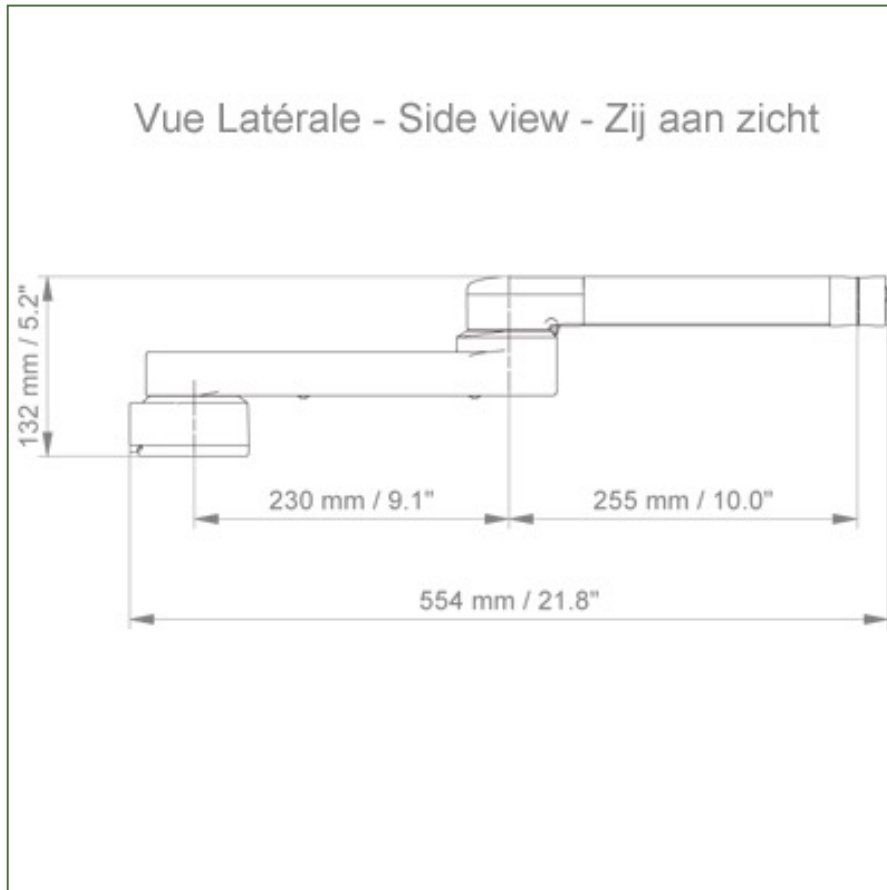
- * Rotation of the arm from the fixation: 90° to the right, 90° to the left.
- * Central axis between the two arms 180° rotation
- * Length of the double arm 554 mm
- * Weight supported by the arm: 23 Kg
- * Color RAL 9002 grey-white
- * All our medical arms are in conformity: CE, ROHS, Medical Grade, Regulations MDD 93/42 ECC.
- * Slide rail adapter included in this configuration
- * Fixing head for 25 mm diameter tube * Warranty: 5 years

(See options for infusion pump stand in the accessories section)

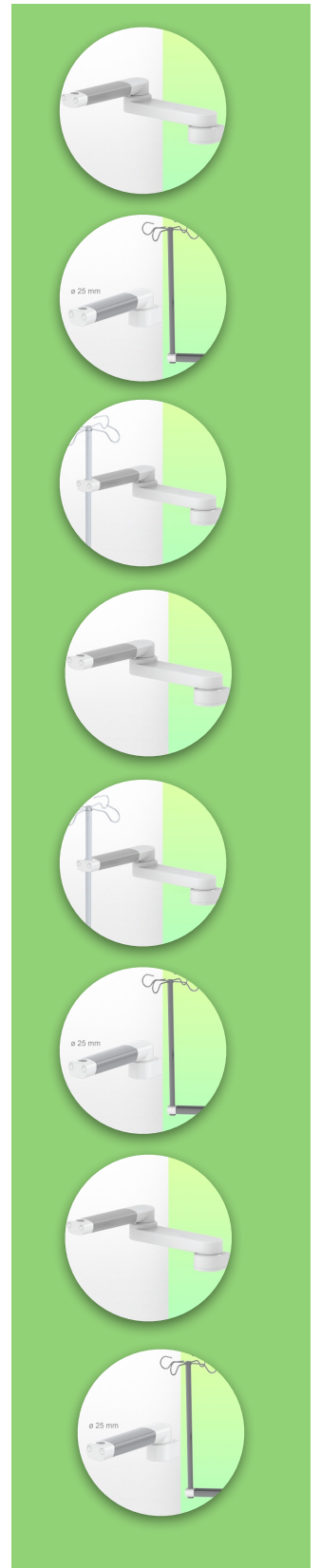
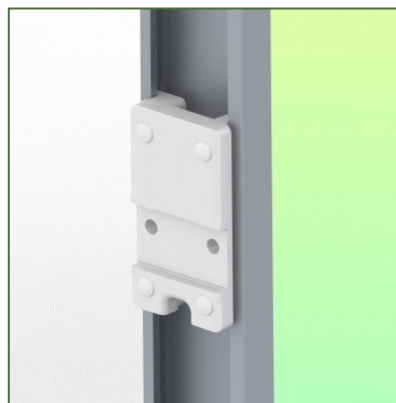
Technical specifications

Part Number: WM 227.136

Double Medical swivel arm for infusion pump stand 554 mm, for mounting on wall track



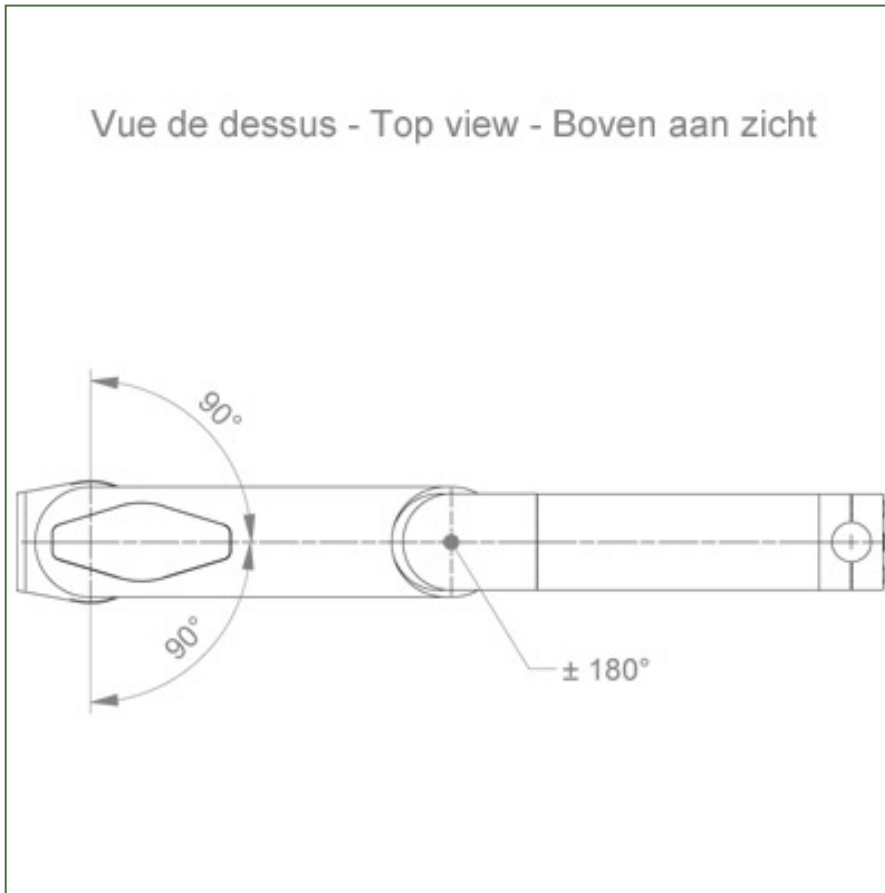
+



Technical specifications

Part Number: WM 227.136

Double Medical swivel arm for infusion pump stand 554 mm, for mounting on wall track



+

