

**Presentation**

**Part Number: WM 227.140**

**Double Medical swivel arm for infusion pump stand 554 mm, For mounting to fixed tube  
ø 35 mm**



This standard 554 mm long infusion pump stand double swivel arm allows a 25mm diameter infusion pole or a pole of the same diameter to be fixed, oriented and adjusted perfectly.

Axis of rotation from mounting: 90° right and 90° left

Central axis between the two arms 180° rotation

Maximum supported weight 23 kg including infusion pump.

**Technical data:**

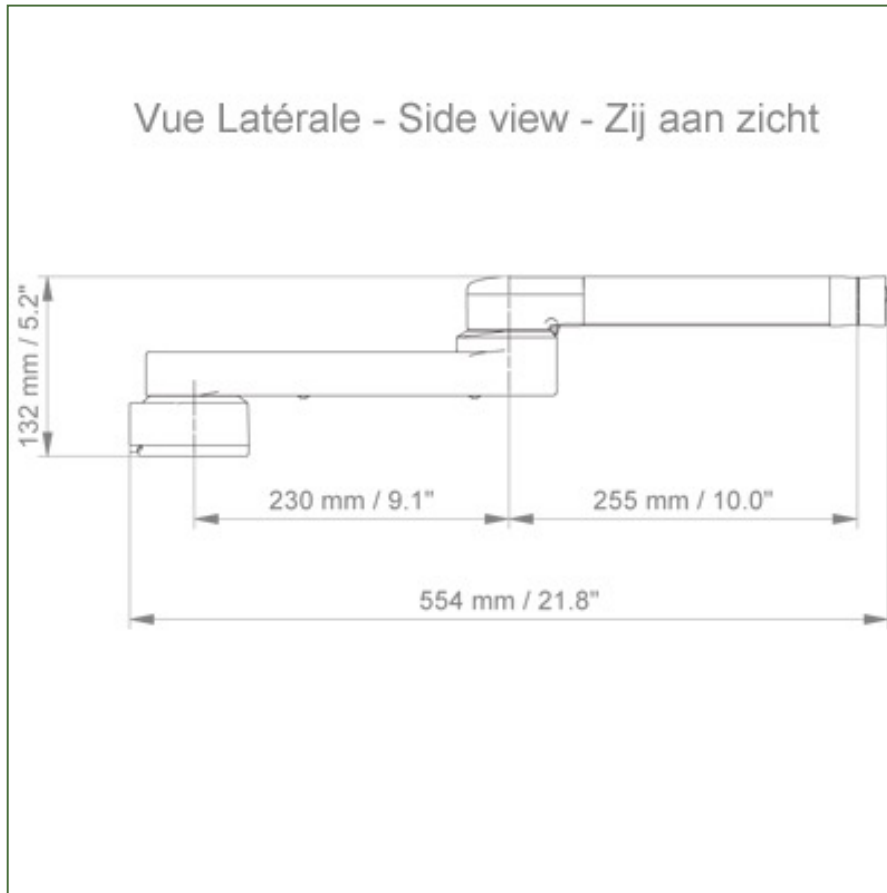
- \* Arm rotation: 90° right, 90° left.
- \* Central axis between the two arms 180° rotation
- \* Length of the arm 554 mm
- \* Weight supported by the arm: 23 Kg
- \* Color RAL RAL 9002 grey-white
- \* All our medical arms are in conformity: CE, ROHS, Medical Grade, Regulations MDD 93/42 ECC.
- \* Fixed tube adapter ø 35 mm included in this configuration
- \* Fixing head for 25 mm diameter tube \* Warranty: 5 years

( See options for infusion pump stand in the accessories section)

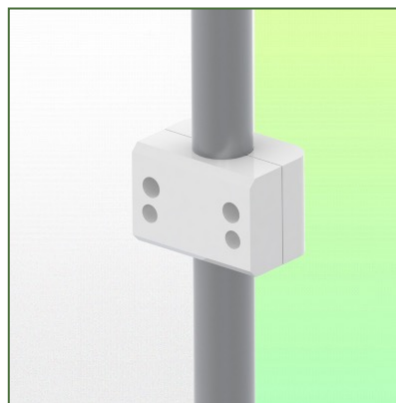
Technical specifications

Part Number: WM 227.140

Double Medical swivel arm for infusion pump stand 554 mm, For mounting to fixed tube  
ø 35 mm



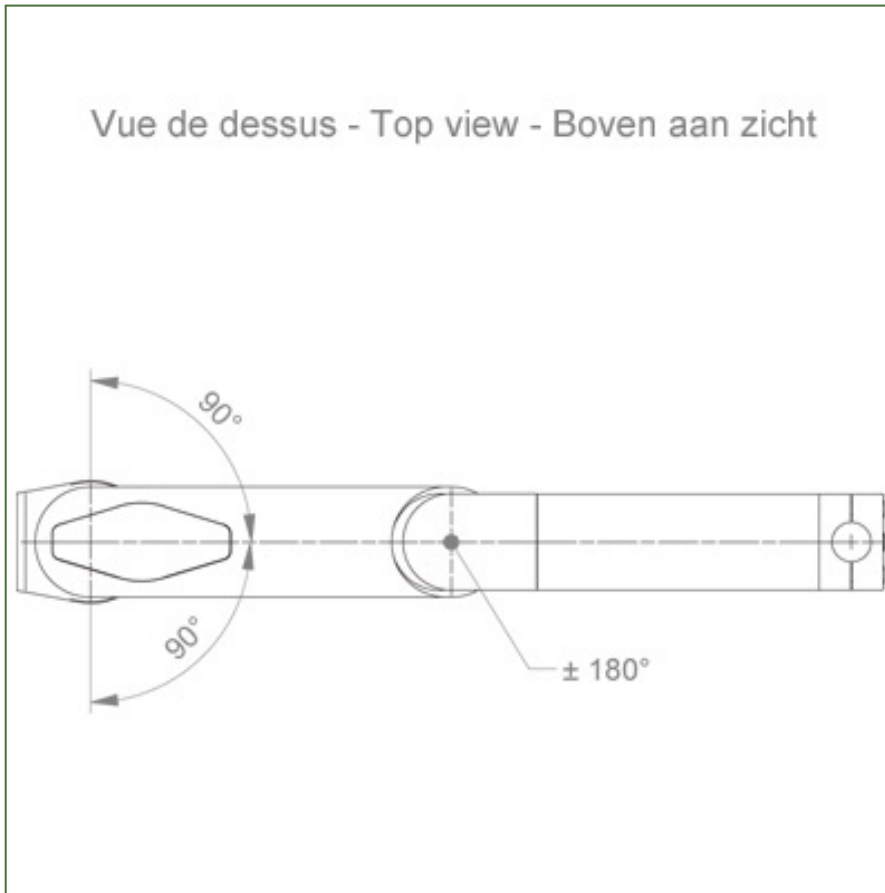
+



Technical specifications

Part Number: WM 227.140

Double Medical swivel arm for infusion pump stand 554 mm, For mounting to fixed tube  
 ø 35 mm



+

