

Presentation

Part Number: WM 227.141

**Double Medical swivel arm for infusion pump stand 554 mm, For mounting to fixed tube
ø 38 mm**



This standard 554 mm long infusion pump stand double swivel arm allows a 25mm diameter infusion pole or a pole of the same diameter to be fixed, oriented and adjusted perfectly.

Axis of rotation from mounting: 90° right and 90° left

Central axis between the two arms 180° rotation

Maximum supported weight 23 kg including infusion pump.

Technical data:

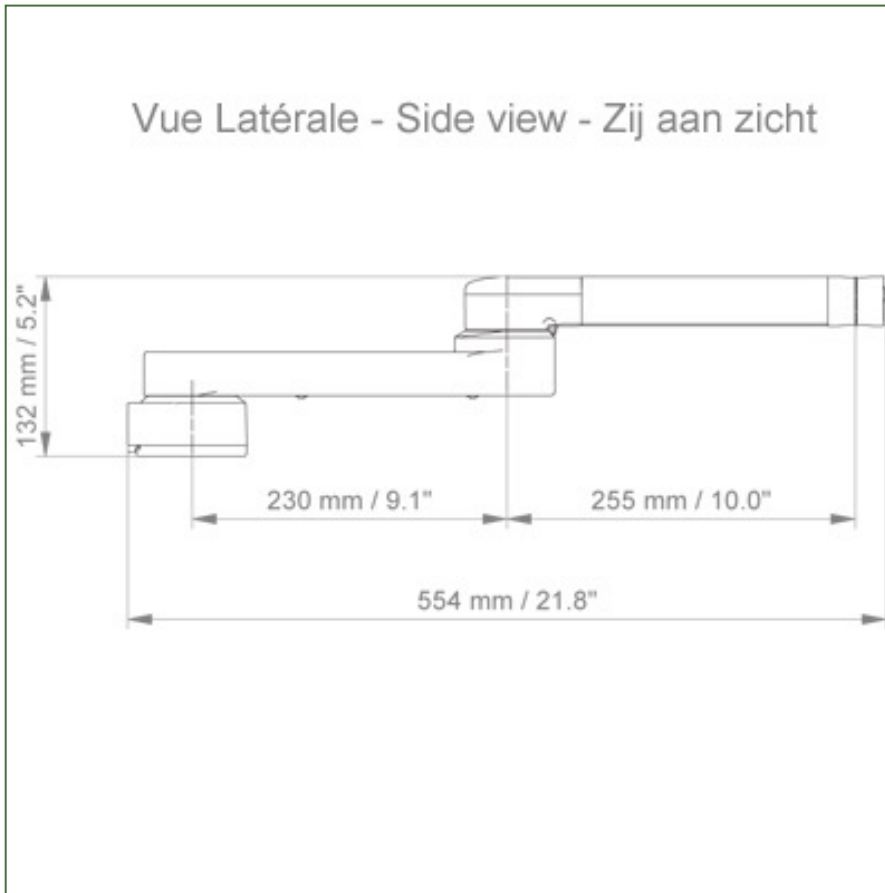
- * Arm rotation: 90° right, 90° left.
- * Central axis between the two arms 180° rotation
- * Length of the arm 554 mm
- * Weight supported by the arm: 23 Kg
- * Color RAL RAL 9002 grey-white
- * All our medical arms are in conformity: CE, ROHS, Medical Grade, Regulations MDD 93/42 ECC.
- * Fixed tube adapter ø 38 mm included in this configuration
- * Fixing head for 25 mm diameter tube * Warranty: 5 years

(See options for infusion pump stand in the accessories section)

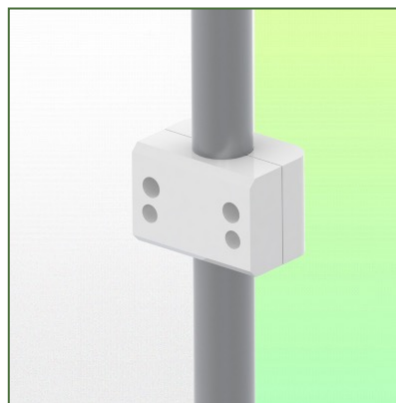
Technical specifications

Part Number: WM 227.141

Double Medical swivel arm for infusion pump stand 554 mm, For mounting to fixed tube
ø 38 mm



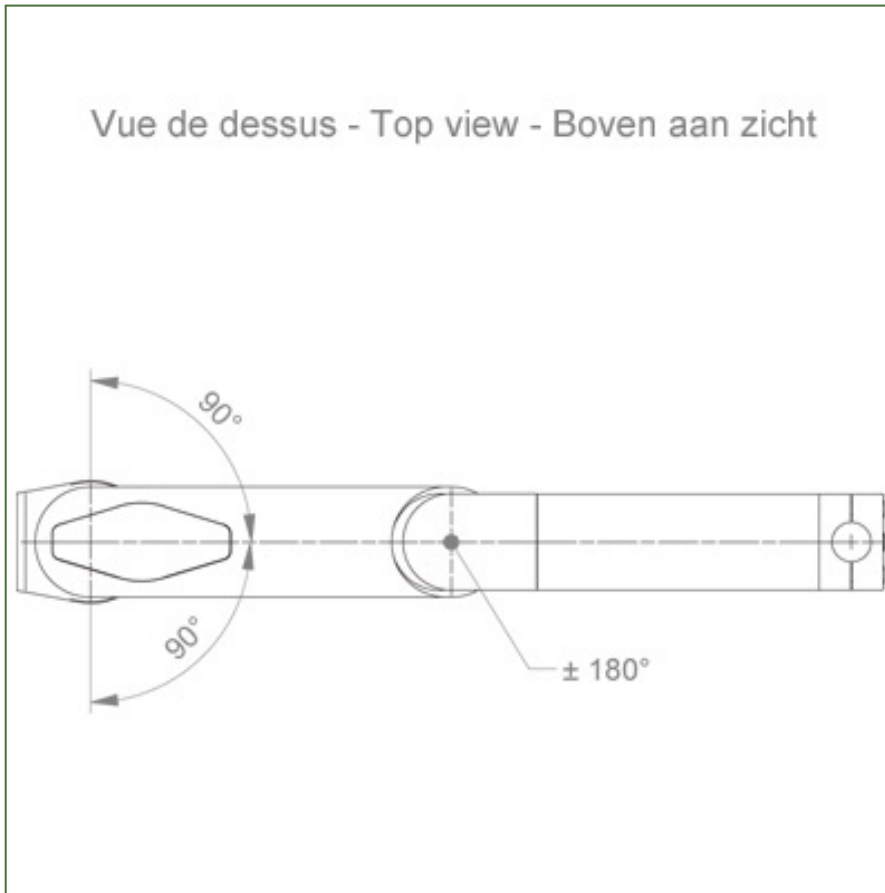
+



Technical specifications

Part Number: WM 227.141

Double Medical swivel arm for infusion pump stand 554 mm, For mounting to fixed tube
 ø 38 mm



+

