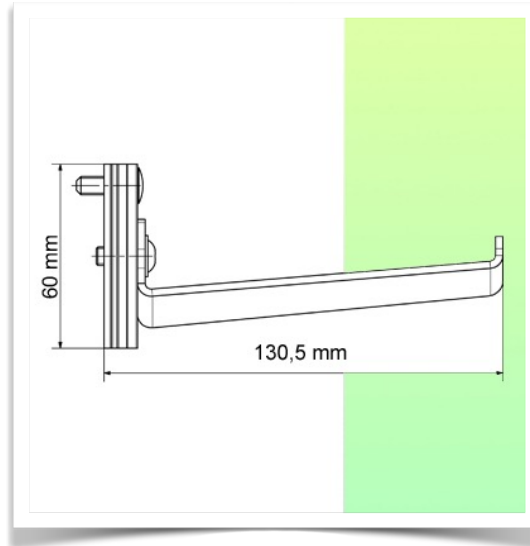


Presentation

Part Number: WM 227.269

Holder for barcode scanner for mounting on medical arms Combo



Universal barcode scanner holder.

This universal barcode scanner stand is ideal for keeping the scanner close to the medical facility. This sturdy barcode scanner stand is the perfect storage place where scanning is in application.

Technical specifications

- * Dimensions: 13.5 x 10.31 x 6 cm
- * Mounting on the right side of the Combo medical arm
- * Color: RAL 7034 Graphite Grey
- * 5 year warranty

