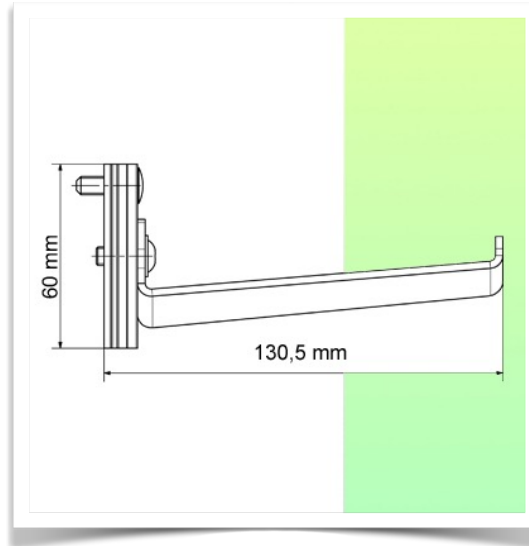


**Presentation**

**Part Number: WM 227.270**

**Bar code scanner holder for wall-mounted slide rail Vertical**



**Universal barcode scanner holder.**

This universal barcode scanner stand is ideal for keeping the scanner close to the medical facility. This sturdy barcode scanner stand is the perfect storage place where scanning is in application.

**Technical specifications**

- \* Dimensions: 13.5 x 10.31 x 6 cm
- \* Bar code scanner holder wall-mounted slide rail Vertical
- \* Color: RAL 7034 Graphite Grey
- \* 5 year warranty

