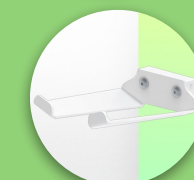
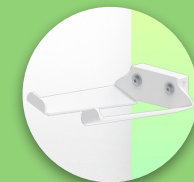
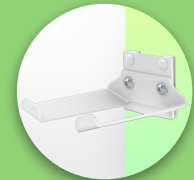
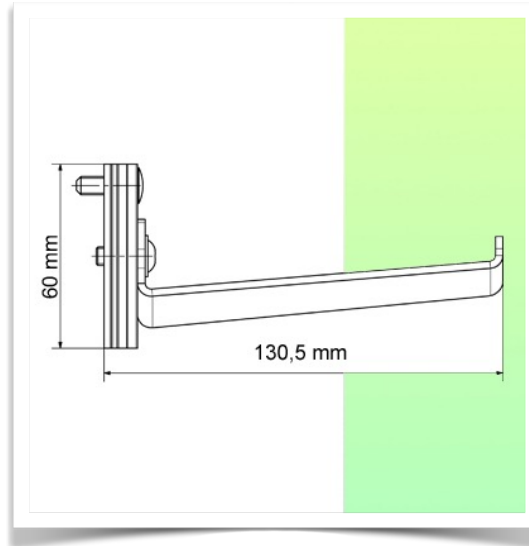


Presentation

Part Number: WM 227.271

Bar code scanner holder mount on non-retractable keyboards medical arm



Universal barcode scanner holder.

This universal barcode scanner stand is ideal for keeping the scanner close to the medical facility. This sturdy barcode scanner stand is the perfect storage place where scanning is in application.

Technical specifications

- * Dimensions: 13.5 x 10.31 x 6 cm
- * Bar code scanner holder mount on non-retractable keyboards medical arm
- * Color: RAL 7034 Graphite Grey
- * 5 year warranty

