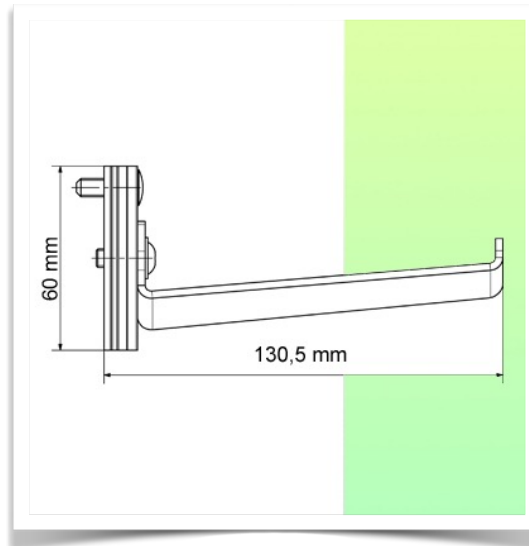
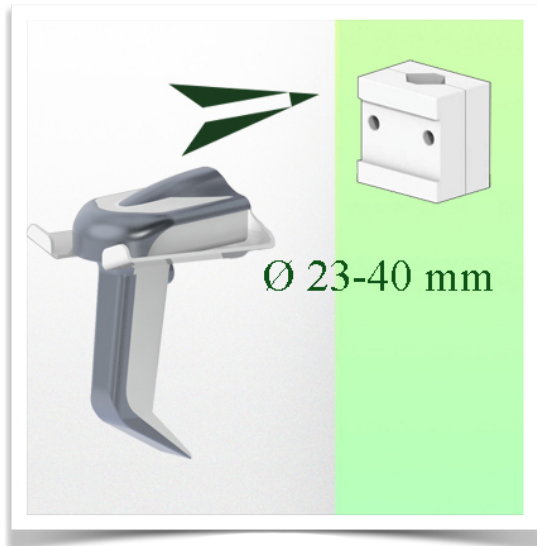


Presentation

Part Number: WM 227.276

Bar code scanner holder mount for mounting to variable tube  $\varnothing$  23-40 mm



**Universal barcode scanner holder.**

This universal barcode scanner stand is ideal for keeping the scanner close to the medical facility. This sturdy barcode scanner stand is the perfect storage place where scanning is in application.

**Technical specifications**

- \* Dimensions: 13.5 x 10.31 x 6 cm
- \* Bar code scanner holder for mounting to variable tube  $\varnothing$  23-40 mm
- \* Color: RAL 7034 Graphite Grey
- \* 5 year warranty

