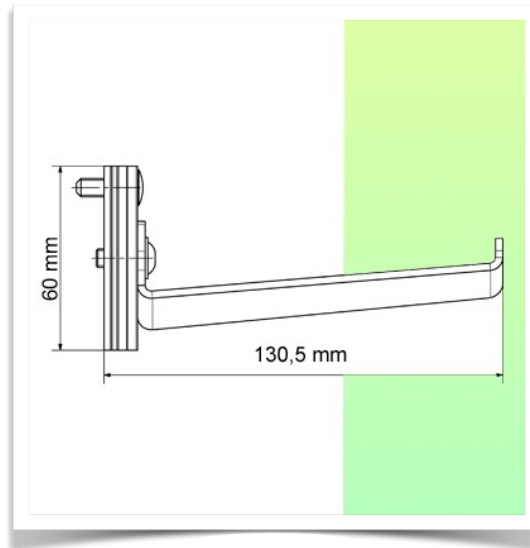
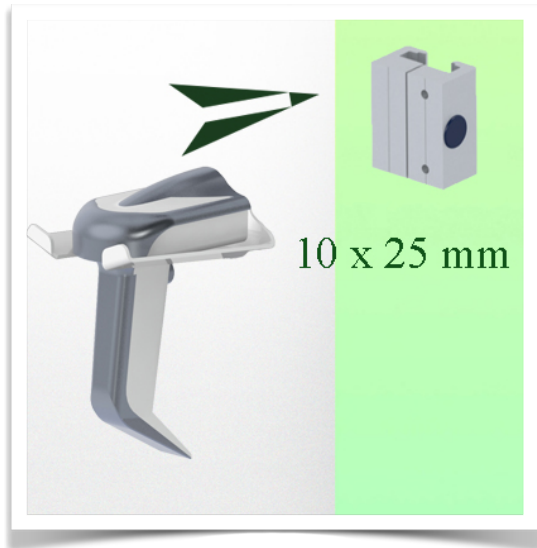


Presentation

Part Number: WM 227.277

Bar code scanner holder mount for mounting to vertical standard rails 10 x 25, 8 x 35, 10 x 30, 10 x 50 mm



Universal barcode scanner holder.

This universal barcode scanner stand is ideal for keeping the scanner close to the medical facility. This sturdy barcode scanner stand is the perfect storage place where scanning is in application.

Technical specifications

- * Dimensions: 13.5 x 10.31 x 6 cm
- * mounting to vertical standard rails 10 x 25, 8 x 35, 10 x 30, 10 x 50 mm
- * Color: RAL 7034 Graphite Grey
- * 5 year warranty

