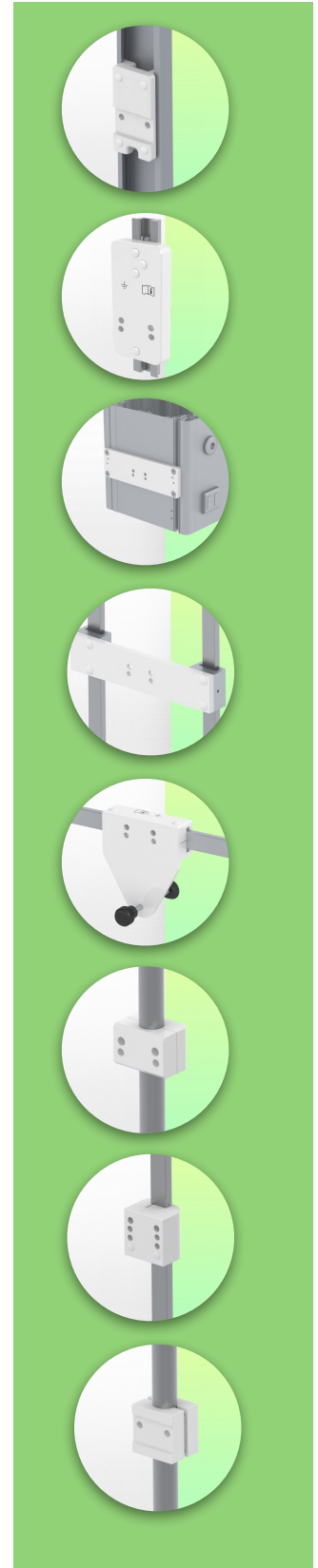
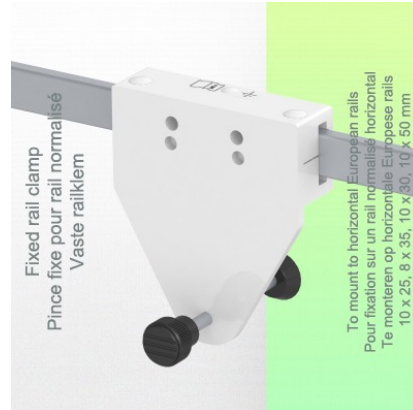
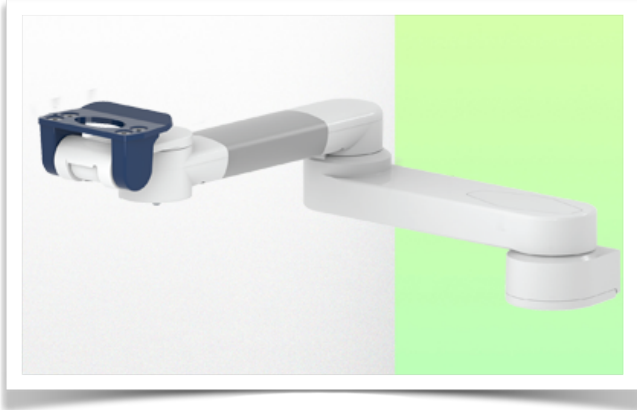


**Presentation**

**Part Number: WM 250.111MD**

**Dual 595 mm Horizontal Medical Arm for monitoring. 5" plate adaptor or Quick Release, mounted on Din Horizontal Rail. Mindray monitoring compatible.**



**Dual 595 mm Horizontal Medical Arm for monitoring. 5" plate adaptor or Quick Release, mounted on Din Horizontal Rail. Mindray monitoring compatible.**

This dual 595 mm Horizontal Arm allows the monitor to be perfectly fixed, oriented and adjusted. It is coated with an anti-microbial agent for hygiene and cleaning down to the smallest detail. Its modern design has been specially developed for healthcare environments.

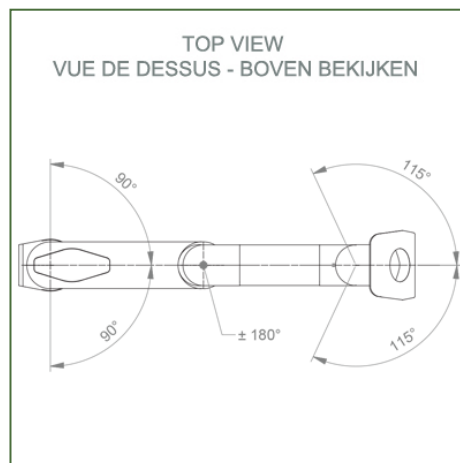
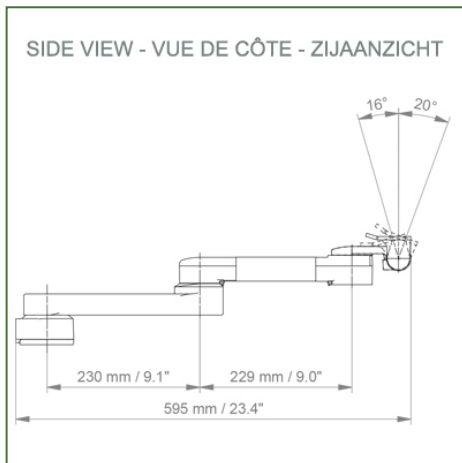
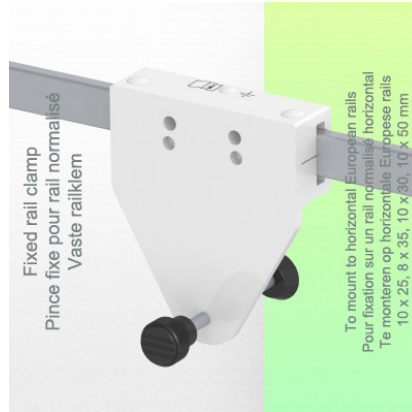
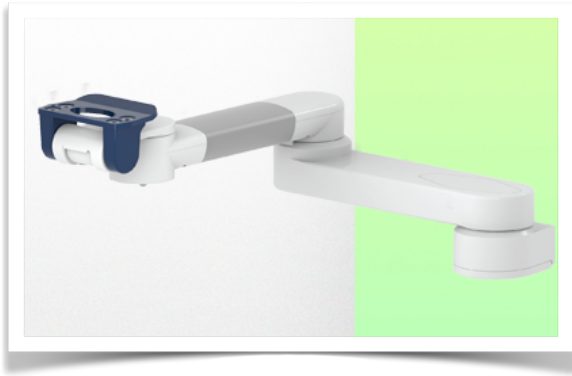
**Technical specifications:**

- \* Integral cable management
- \* For heavy-duty applications
- \* Din Horizontal rail mounting
- \* Universal clamp included ( 10 x 25 mm, 8 x 35 mm, 10 x 30 mm, 10 x 50 mm )
- \* This medical arm simply attaches to the Din Horizontal rail, then adjusts to the rail and clamps with the two grips. There is no height adjustment.
- \* The head of this arm complies with the mounting standard for Mindray monitors weighing up to 18 kg.
- \* Monitor tilt: 16° down and 20° up
- \* Monitor rotation: 115° right, 115° left.
- \* Arm rotation: 90° right, 90° left.
- \* Total length: 595 mm
- \* Colour: RAL 5013 cobalt blue and RAL 9016 traffic white
- \* Warranty: 5 years

**Technical specifications**

**Part Number: WM 250.111MD**

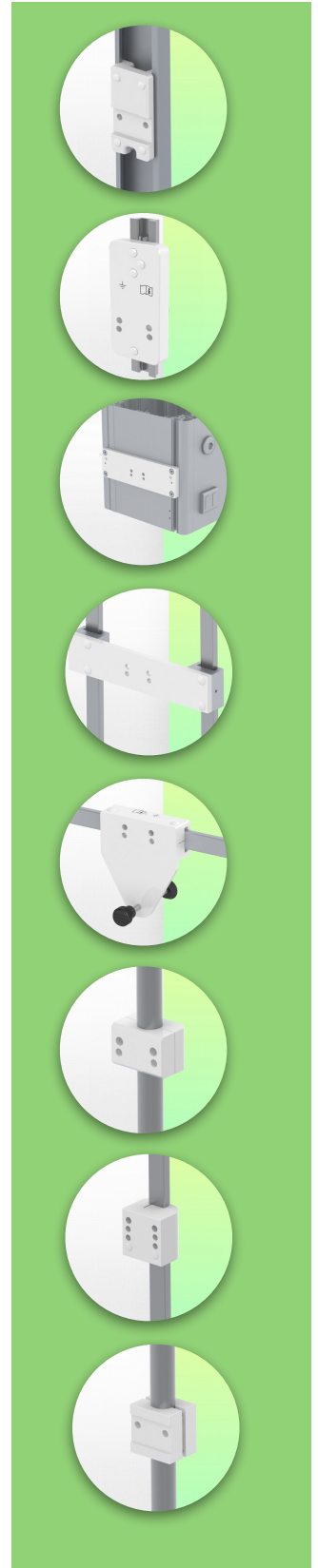
**Dual 595 mm Horizontal Medical Arm for monitoring. 5" plate adaptor or Quick Release, mounted on Din Horizontal Rail. Mindray monitoring compatible.**



- Monitor fitting:** 5" Plunge plate or Quick Release
- Colour:** Decorative parts: RAL 5013 cobalt blue
- Aluminium parts:** RAL 9016 traffic white
- Max. load capacity of support arm:** 18 kg
- Monitor fitting max. load:** 18 Kg Product weight: 3,1 Kg

**Product strengths:**

Non-height-adjustable arm. Swivel arms and extended swivel arms offer full cable integration and easy cleaning for infection control in all critical care areas of the clinical environment. Our 5-year guarantee ensures reliable, trouble-free and maintenance-free operation. The swivel function at the point of attachment and the tilt and swivel function of the monitor adaptation provide optimum positioning of your unit. The extended swivel arm is a two-part arm with a central pivot point between the two arm sections. All bottom-mounted monitors have the safety feature of a 20° tilt stop.



**Installation information - Din Rail Horizontal**

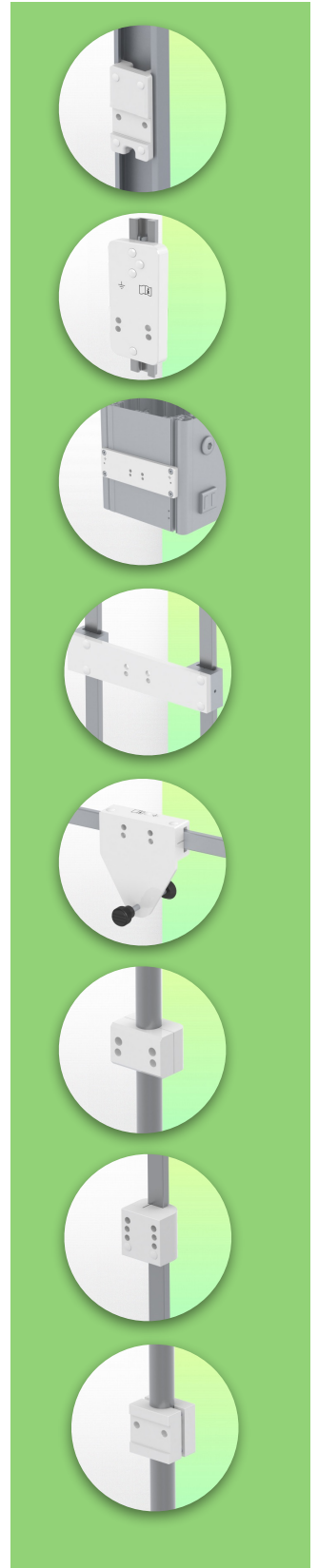
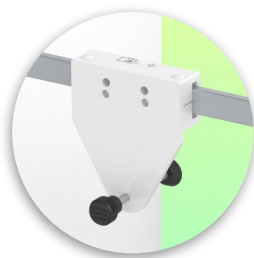
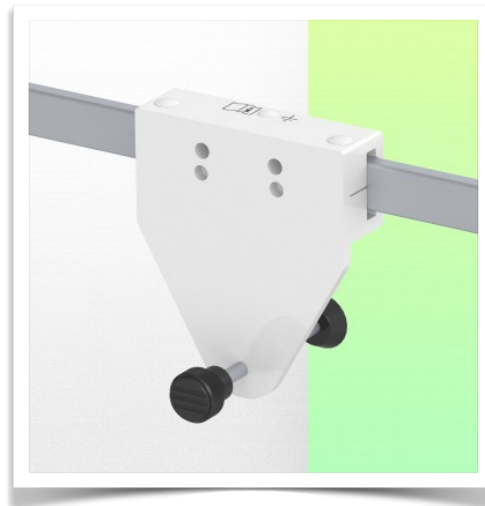
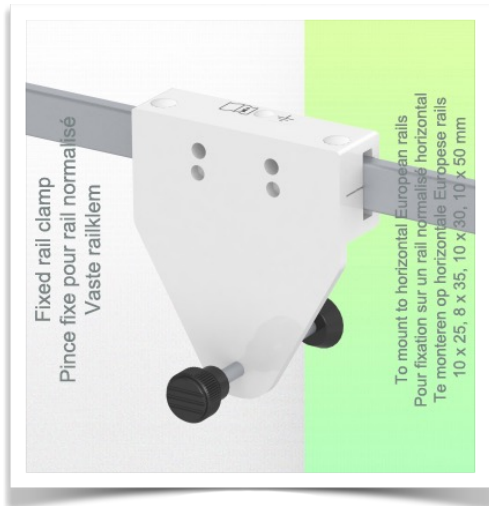
**Part Number: WM 250.111MD**

**Dual 595 mm Horizontal Medical Arm for monitoring. 5" plate adaptor or Quick Release, mounted on Din Horizontal Rail. Mindray monitoring compatible.**

**Din Horizontal Rail:**

Fixed clamp for standard rail For mounting on horizontal standard rail

10 x 25, 8 x 35, 10 x 30, 10 x 50 mm



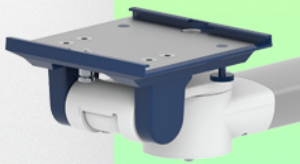
Presentation

Part Number: WM 250.111MD

Dual 595 mm Horizontal Medical Arm for monitoring. 5" plate adaptor or Quick Release, mounted on Din Horizontal Rail. Mindray monitoring compatible.

**Mounting adapter 5" Plunge plate**

The 5" plunge plate is suitable for the following Mindray monitors:  
BeneVision series: N12, iMEC, uMEC, iPM, ePM, BeneView series: T5, T8, T9 and VS series VS-600, VS-900, VS 8, VS 9.



**Mounting adapter (quick release)**

The monitor adaption is prepared to accept the mounting adapter from Mindray and is suitable for the following Mindray monitors: BeneVision series: N12, iMEC, uMEC, iPM, ePM and BeneView series: T5, T8, T9.

