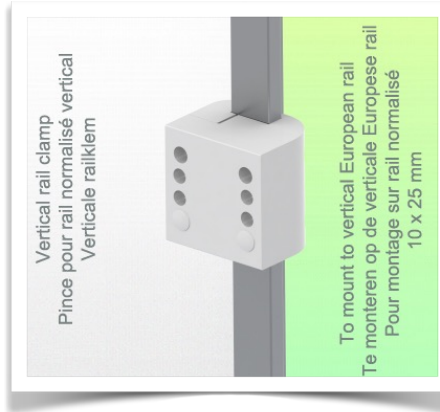
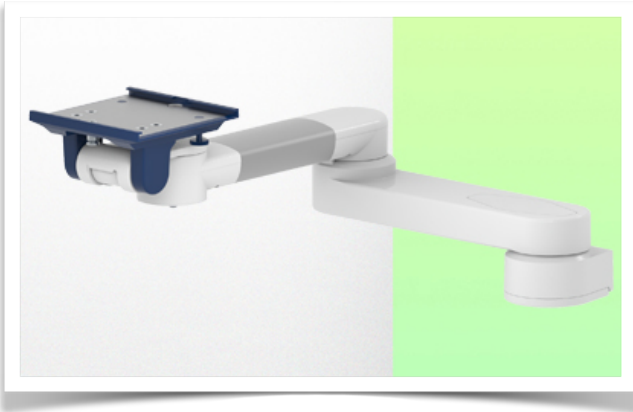


Presentation

Part Number: WM 250.114

Dual 618 mm Horizontal Medical Arm for monitoring. 5" plate adaptation, Din Vertical Rail mounting. Dräger and GE compatible.

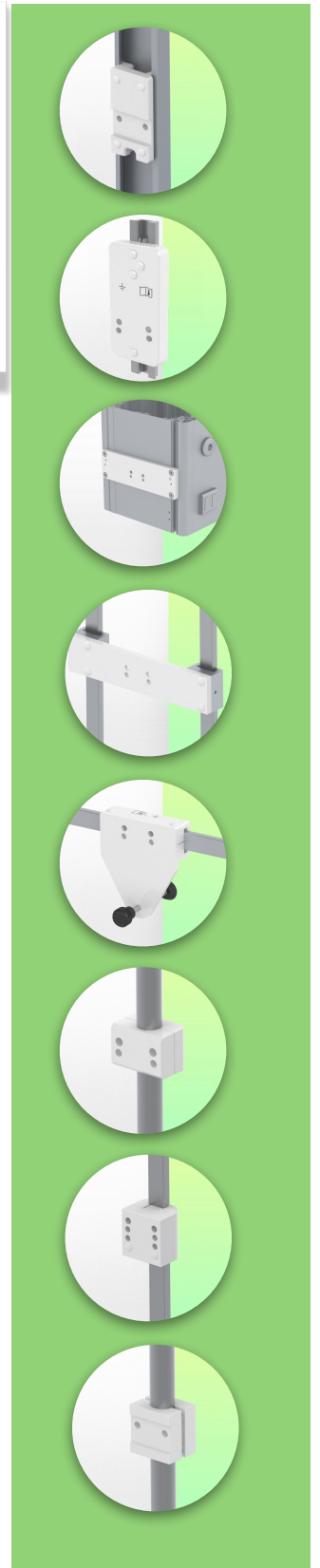


Dual 618 mm Horizontal Medical Arm for monitoring. 5" plate adaptation, Din Vertical Rail mounting. Dräger and GE compatible.

This dual 618 mm Horizontal Arm allows the monitor to be fixed, oriented and adjusted perfectly. It is coated with an anti-microbial agent for hygiene and cleaning down to the smallest detail. Its modern design has been specially developed for healthcare environments.

Technical specifications:

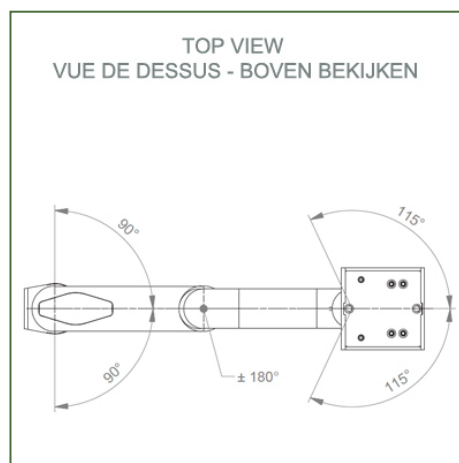
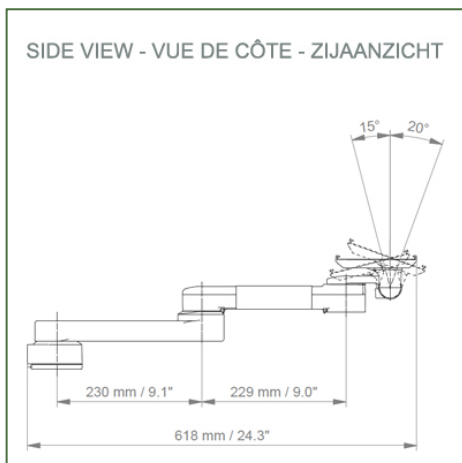
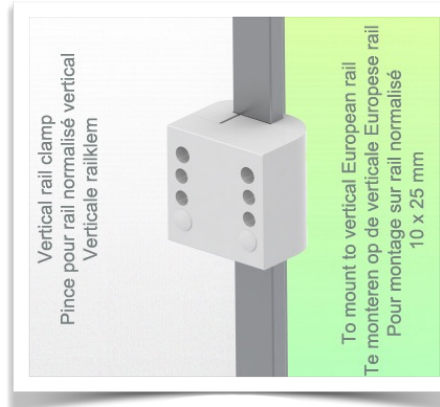
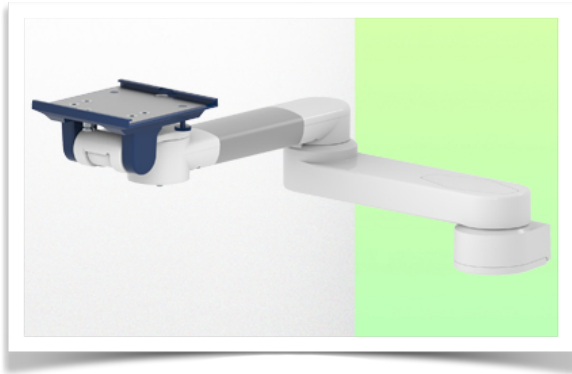
- * Integrated cable management
- * For heavy-duty applications
- * Mounted on Din Vertical Rail Universal clamp included (10 x 25 mm, 8 x 35 mm, 10 x 30 mm, 10 x 50 mm)
- * This medical arm simply attaches to the Din Vertical Rail, then adjusts to the rail and clamps with the two grips. There is no height adjustment.
- * The head of this arm complies with the mounting standard for Dräger and GE monitors weighing up to 18 kg.
- * Monitor tilt: 20° down and 12° up
- * Monitor rotation: 115° right, 115° left.
- * Arm rotation: 90° right, 90° left.
- * Total length: 618 mm
- * Colour: RAL 5013 cobalt blue and RAL 9016 traffic white
- * Warranty: 5 years



Technical specifications

Part Number: WM 250.114

Dual 618 mm Horizontal Medical Arm for monitoring. 5" plate adaptation, Din Vertical Rail mounting. Dräger and GE compatible.



Monitor fitting: 5" Plunge plate

Colour: Decorative parts: RAL 5013 cobalt blue

Aluminium parts: RAL 9016 traffic white

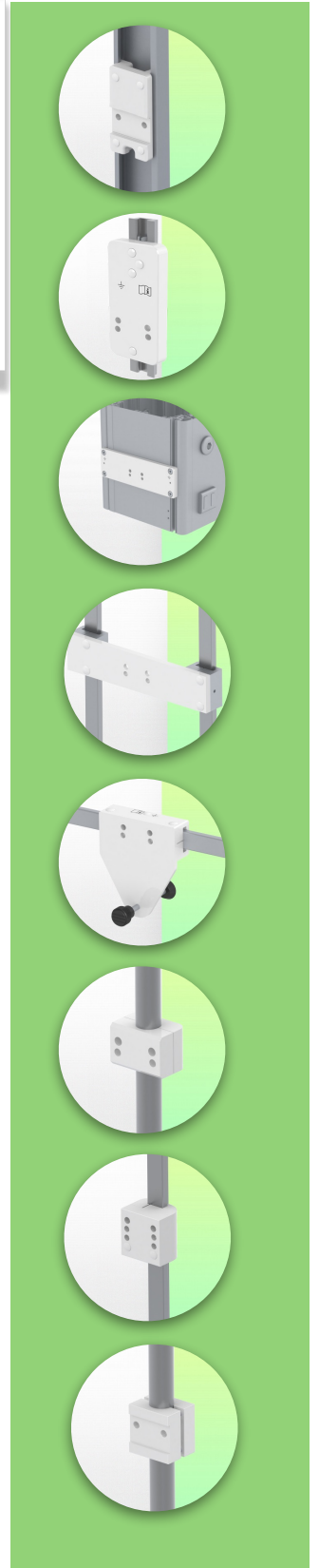
Max. load capacity of support arm: 18 kg

Monitor fitting max. load: 18 Kg

Product weight: 3,1 Kg

Product strengths:

Non-height-adjustable arm. Swivel arms and extended swivel arms offer full cable integration and easy cleaning for infection control in all critical care areas of the clinical environment. Our 5-year guarantee ensures reliable, trouble-free and maintenance-free operation. The swivel function at the point of attachment and the tilt and swivel function of the monitor adaptation provide optimum positioning of your unit. The extended swivel arm is a two-part arm with a central pivot point between the two arm sections. All bottom-mounted monitors have the safety feature of a 20° tilt stop.



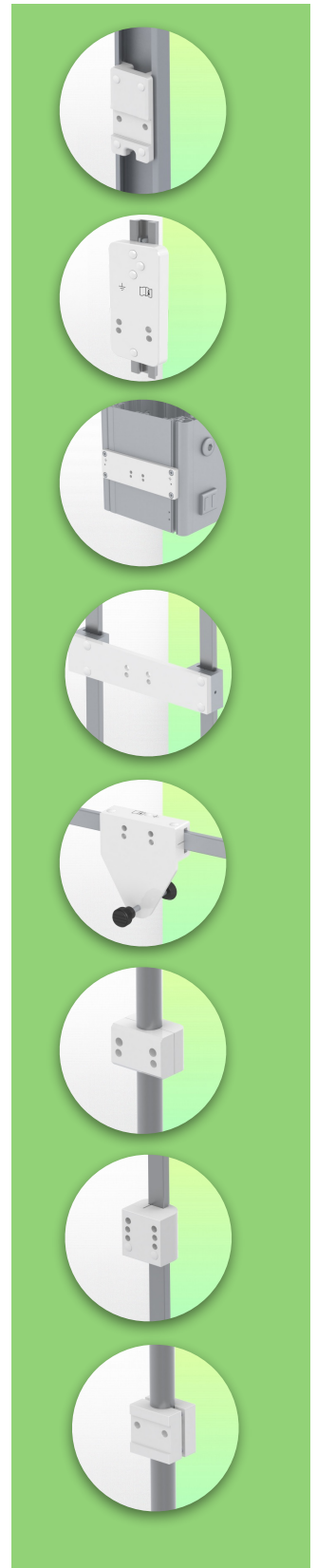
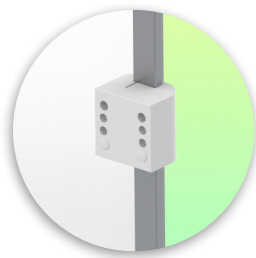
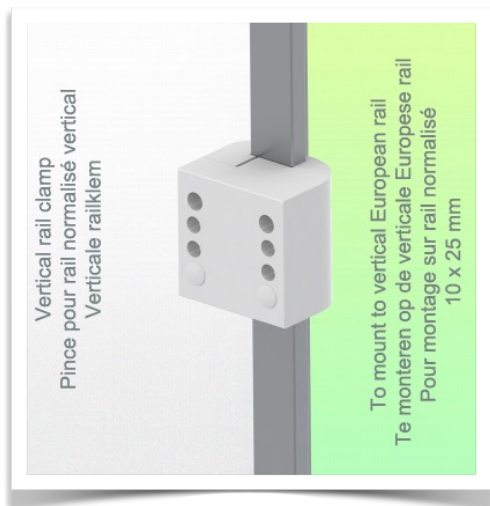
Installation information - Din Rail Vertical

Part Number: WM 250.114

Dual 618 mm Horizontal Medical Arm for monitoring. 5" plate adaptation, Din Vertical Rail mounting. Dräger and GE compatible.

Din Vertical Rail:

Fixed clamp for standard rail For mounting on a vertical standard rail 10 x 25 mm



PrEsentation

Part Number: WM 250.114

Dual 618 mm Horizontal Medical Arm for monitoring. 5" plate adaptation, Din Vertical Rail mounting. Dräger and GE compatible.



Adaptation with 5" plunger plate

Monitor mounting plates for monitoring

The 5" plunger plate is designed to accommodate bottom-mounted monitors. Please note that a special mounting adapter is required for some monitors. The mounting adapter is installed on the bottom and slides into the 5" immersion plate. For Dräger and GE monitors, a special mounting adapter is not required. For Mindray, Nihon Kohden, Spacelabs and Philips Sure Signs/ Vital Signs monitors, mounting adapters are required. For the Philips IntelliVue series, please refer to the Philips Monitoring IntelliVue Series.

All our medical arms can be equipped with this adaptation, of which you will find some illustrations here.

All height-adjustable arms have a weight capacity of 22 kg. Rear-mounted monitor adapters and horizontally mounted 5" plinths accept a maximum monitor weight of 18 kg. An additional 4 kg can be mounted on a downstand under the front rotating part. Depending on the material and the strength factor, all weight indications have a safety factor of 4 and/or 6 times according to NF 60601-1 regulations. The current IEC 60601-1 standard for medical electrical equipment is the 3rd edition

For customised solutions and MRI applications please contact us

Presentation

Part Number: WM 250.114

Dual 618 mm Horizontal Medical Arm for monitoring. 5" plate adaptation, Din Vertical Rail mounting. Dräger and GE compatible.

