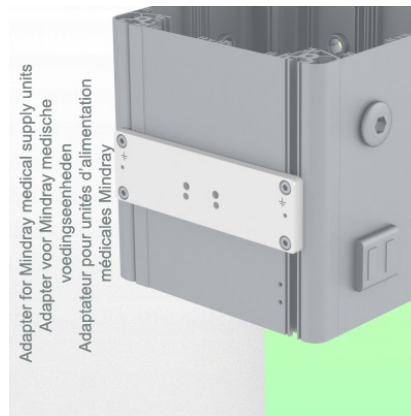
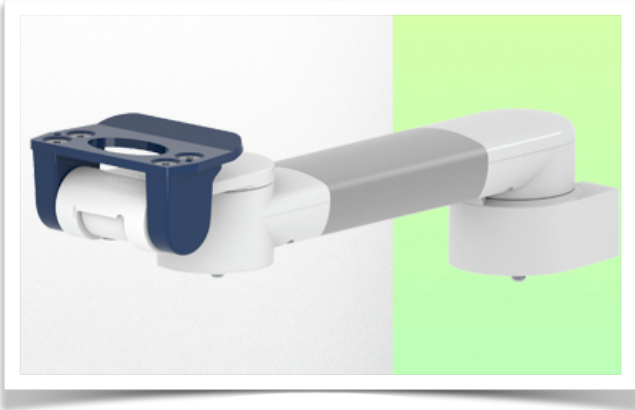


Presentation

Part Number: WM 250.121MD

363 mm Horizontal Medical Arm for monitoring 5" plate adaptor or Quick Release, Mounting on Mindray Medical Power Supply Device. Mindray Monitoring compatible.



363 mm Horizontal Medical Arm for monitoring 5" plate adaptor or Quick Release, Mounting on Mindray Medical Power Supply Device. Mindray Monitoring compatible.

This 363 mm Horizontal Arm allows the monitor to be fixed, oriented and adjusted perfectly. It is coated with an anti-microbial agent to ensure hygiene and cleanliness down to the smallest detail. Its modern design has been specially developed for healthcare environments.

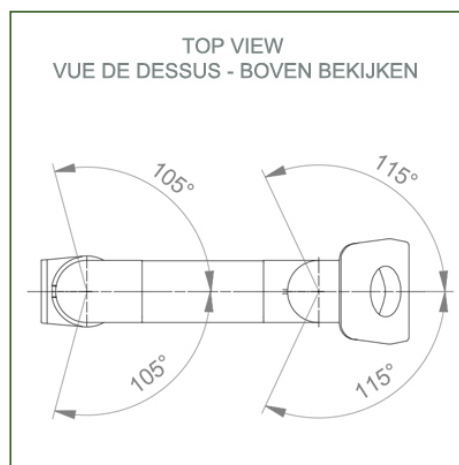
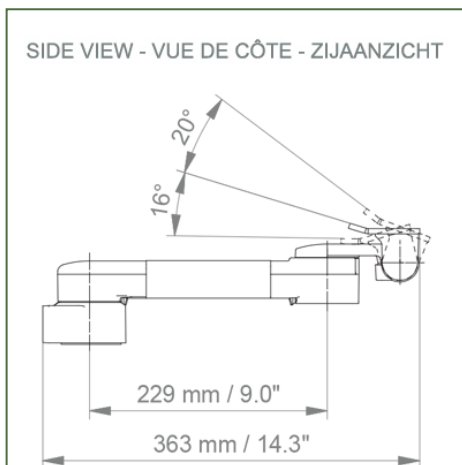
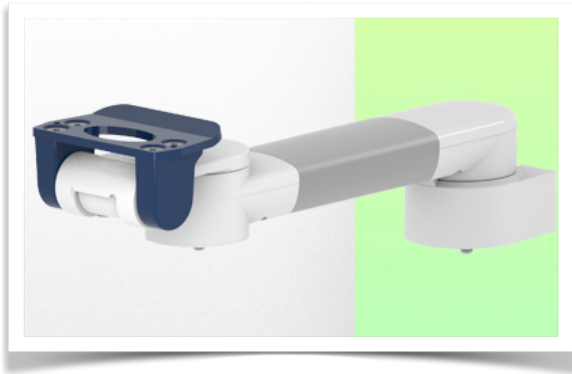
Technical specifications:

- * Integrated cable management
- * Mounting on Mindray Medical Power Supply
- * This medical arm simply attaches to the rail and then adjusts and pinches with the two clamps. It has no height adjustment.
- * The head of this arm complies with the mounting standard for Mindray monitors weighing up to 18 kg.
- * Monitor tilt: 16° down and 20° up
- * Monitor rotation: 115° right, 115° left.
- * Arm rotation: 105° right, 105° left.
- * Total length: 363 mm Colour: RAL 5013 cobalt blue and RAL 9016 traffic white
- * Warranty: 5 years

Technical specifications

Part Number: WM 250.121MD

363 mm Horizontal Medical Arm for monitoring 5" plate adaptor or Quick Release, Mounting on Mindray Medical Power Supply Device. Mindray Monitoring compatible.



- Monitor fitting:** 5" Plunge plate
- Colour:** Decorative parts: RAL 5013 cobalt blue
- Aluminium parts:** RAL 9016 traffic white
- Max. load capacity of support arm:** 18 kg
- Monitor fitting max. load:** 18 Kg
- Product weight:** 1,9 Kg

Product strengths:

Non-height-adjustable arm. Swivel arms and extended swivel arms offer full cable integration and easy cleaning for infection control in all critical care areas of the clinical environment. Our 5-year guarantee ensures reliable, trouble-free and maintenance-free operation. The swivel function at the point of attachment and the tilt and swivel function of the monitor adaptation provide optimum positioning of your unit. The extended swivel arm is a two-part arm with a central pivot point between the two arm sections. All bottom-mounted monitors have the safety feature of a 20° tilt stop.

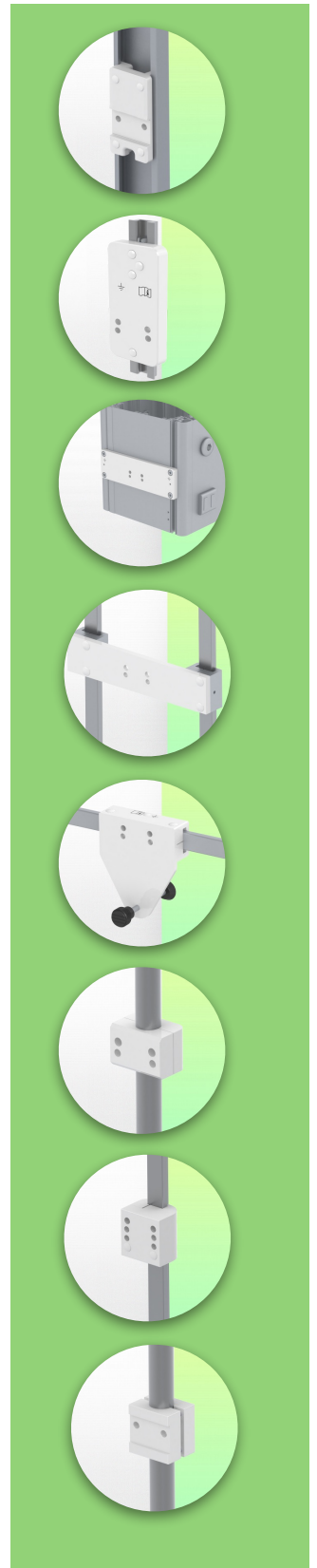
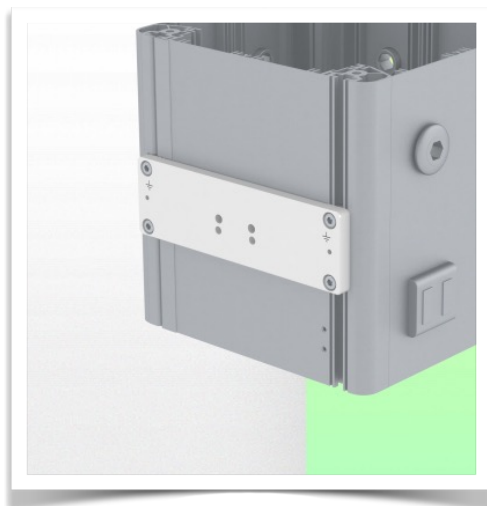
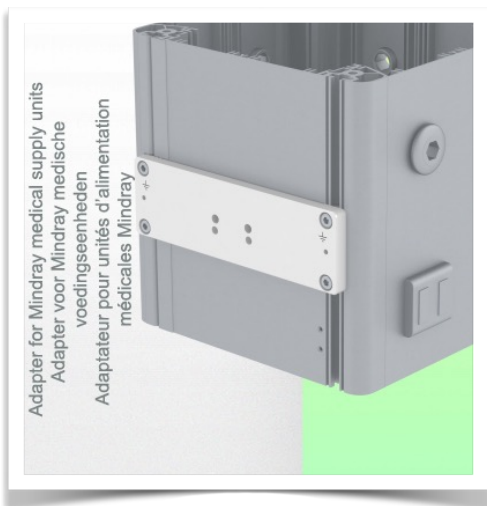
Mounting information - Adapter Mindray

Part Number: WM 250.121MD

363 mm Horizontal Medical Arm for monitoring 5" plate adaptor or Quick Release, Mounting on Mindray Medical Power Supply Device. Mindray Monitoring compatible.

Adapter Mindray:

Mounting on Mindray Medical Supply Device



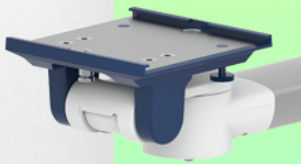
Presentation

Part Number: WM 250.121MD

363 mm Horizontal Medical Arm for monitoring 5" plate adaptor or Quick Release, Mounting on Mindray Medical Power Supply Device. Mindray Monitoring compatible.

Mounting adapter 5" Plunge plate

The 5" plunge plate is suitable for the following Mindray monitors:
BeneVision series: N12, iMEC, uMEC, iPM, ePM, BeneView series: T5, T8, T9 and VS series VS-600, VS-900, VS 8, VS 9.



Mounting adapter (quick release)

The monitor adaption is prepared to accept the mounting adapter from Mindray and is suitable for the following Mindray monitors: BeneVision series: N12, iMEC, uMEC, iPM, ePM and BeneView series: T5, T8, T9.

