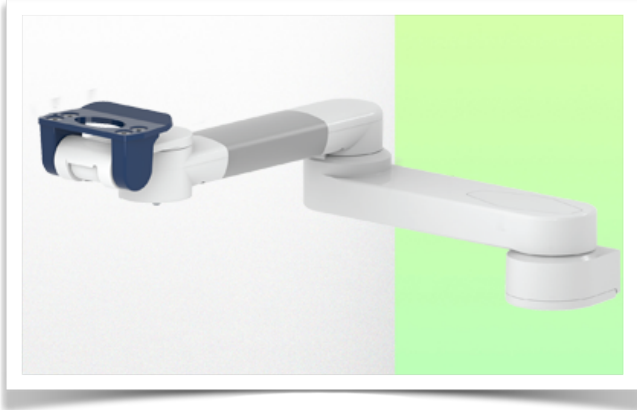


**Presentation**

**Part Number: WM 250.126MD**

**Double 595 mm Horizontal Medical Arm for monitoring Adaptation plate 5" or Quick Release, Mounting on Amico medical device pendants and headwalls. Compatible Monitoring Mindray**



**Double 595 mm Horizontal Medical Arm for monitoring Adaptation plate 5" or Quick Release, Mounting on Amico medical device pendants and headwalls. Compatible Monitoring Mindray**

This 595 mm dual Horizontal Arm allows you to fix, orient and adjust the monitor perfectly. It is covered with an anti-microbial agent offering hygiene and cleaning in every detail. Its modern design has been specially designed for healthcare environments.

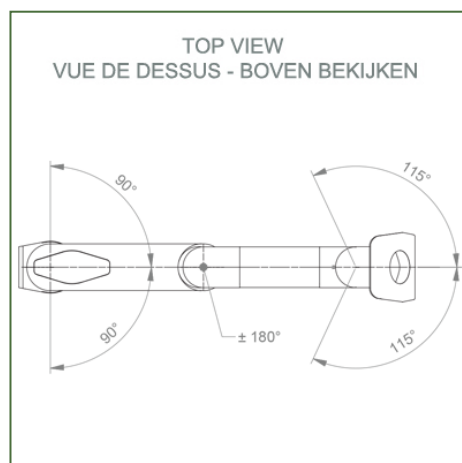
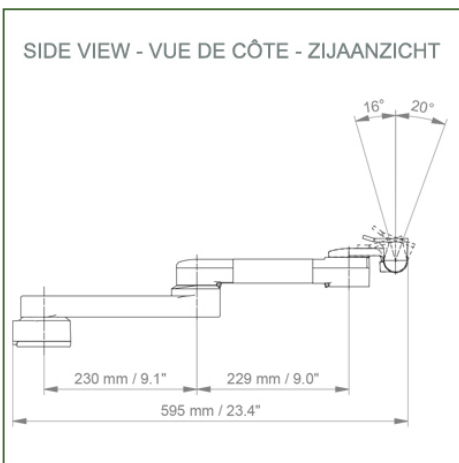
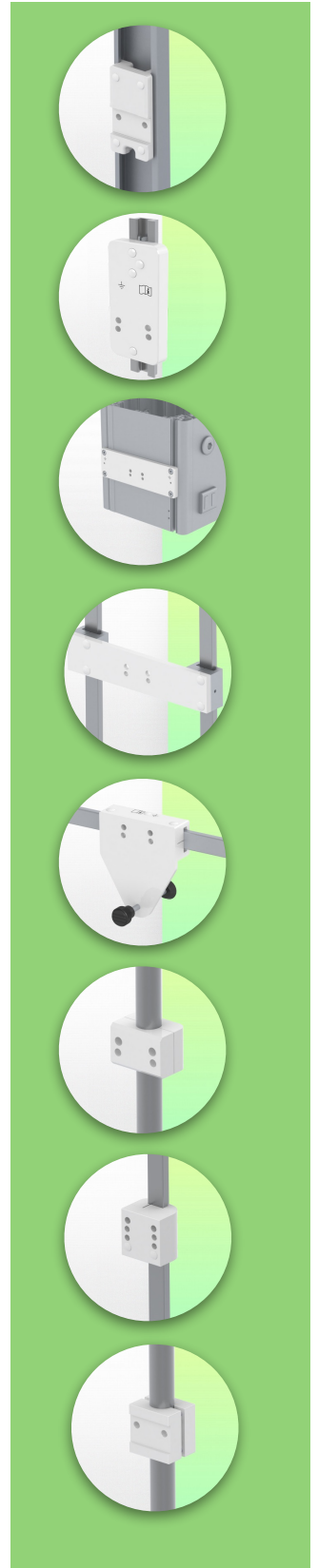
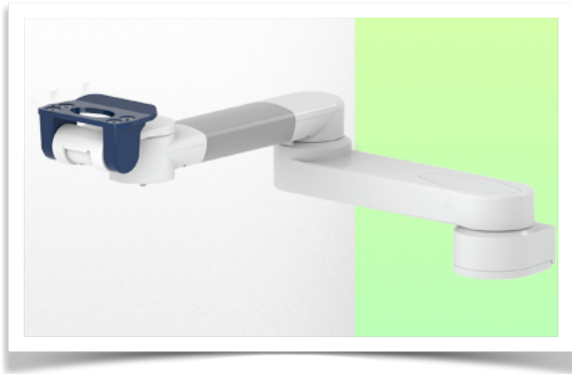
**Technical characteristics:**

- \* Built-in cable passage
- \* For Heavy Duty Application
- \* Mounting on Amico medical device pendants and headwalls
- \* This 595 mm arm simply attaches to the Amico unit using the adapter and adjusts to the desired height and fixed. It has no height adjustment.
- \* The head of this arm complies with the Mindray monitor mounting standard, which does not exceed 18 Kg.
- \* Monitor tilt: 16° down and 20° up
- \* Monitor rotation: 115° right, 115° left.
- \* Arm rotation: 90° right, 90° left.
- \* Total length 595 mm
- \* Color RAL 5013 cobalt blue and RAL 9016 traffic white
- \* Warranty: 5 years

**Technical specifications**

**Part Number: WM 250.126MD**

**Double 595 mm Horizontal Medical Arm for monitoring Adaptation plate 5" or Quick Release, Mounting on Amico medical device pendants and headwalls. Compatible Monitoring Mindray**



**Monitor adaptation:** Diving plate 5" or Quick Release

**Color: Decorative parts:** RAL 5013 cobalt blue

**Aluminum parts:** RAL 9016 traffic white

**Max load capacity, support arm:** 18 kg

**Max load monitor adaptation:** 18 kg

**Product weight:** 3.1 kg

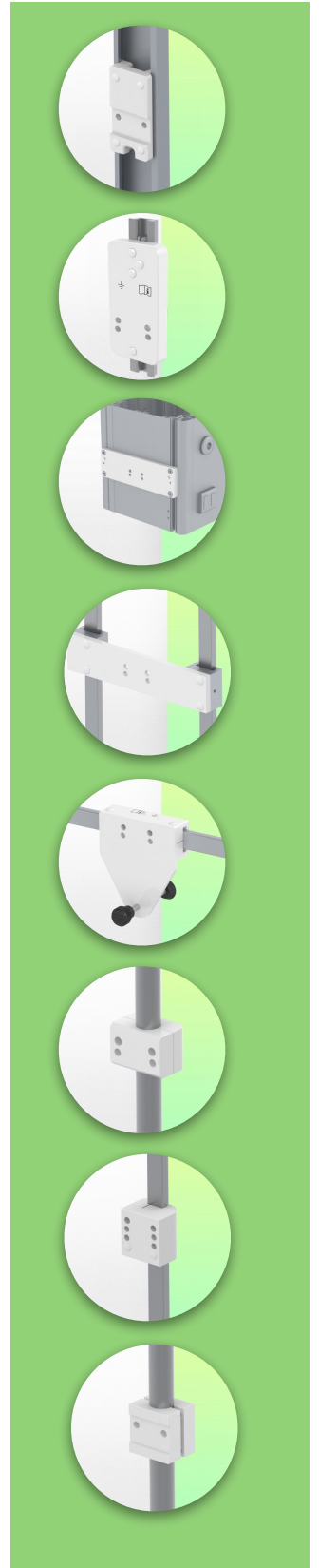
**Product highlights:**

Arm not adjustable in height. The pivoting arms and extended pivoting arms provide complete cable integration and easy cleaning for infection control in all critical care areas of the clinical environment. Our 5-year warranty guarantees reliable, trouble-free and maintenance-free operation. The swivel function at the attachment point as well as the tilt and swivel function of the monitor adaptation provide optimal positioning of your device. The extended swing arm is a two-part arm with a central pivot point between the two arm sections. All monitors mounted at the bottom have the safety function of a 20° tilt stop.

## Mounting information - Adapter Amico

Double 595 mm Horizontal Medical Arm for monitoring Adaptation plate 5" or Quick Release, Mounting on Amico medical device pendants and headwalls.  
Compatible Monitoring Mindray

### Adapter for Amico pendants & headwalls



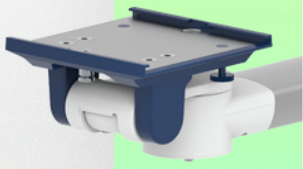
**Presentation**

**Part Number: WM 250.126MD**

**Double 595 mm Horizontal Medical Arm for monitoring Adaptation plate 5" or Quick Release, Mounting on Amico medical device pendants and headwalls. Compatible Monitoring Mindray**

**Mounting adapter 5" Plunge plate**

The 5" plunge plate is suitable for the following Mindray monitors:  
BeneVision series: N12, iMEC, uMEC, iPM, ePM, BeneView series: T5, T8, T9 and VS series VS-600, VS-900, VS 8, VS 9.



**Mounting adapter (quick release)**

The monitor adaption is prepared to accept the mounting adapter from Mindray and is suitable for the following Mindray monitors: BeneVision series: N12, iMEC, uMEC, iPM, ePM and BeneView series: T5, T8, T9.

