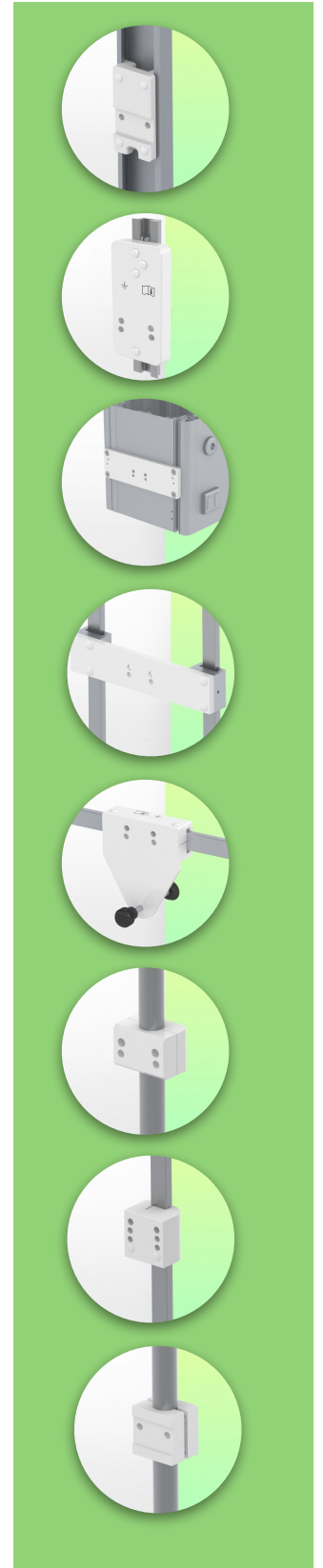
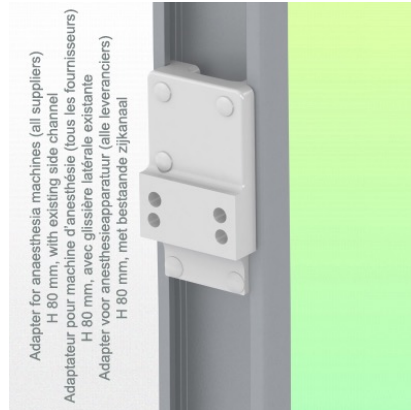
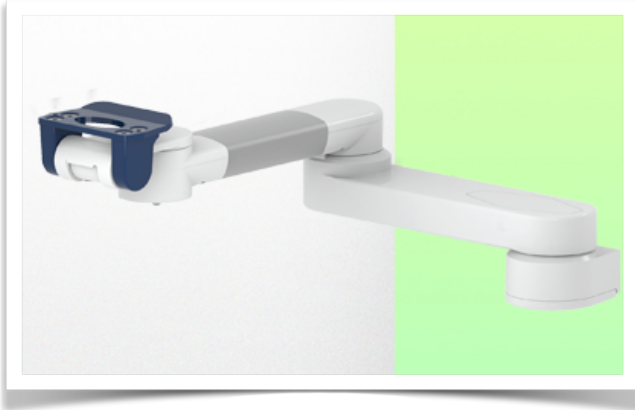


Presentation

Part Number: WM 250.129MD

Double 595 mm Horizontal Medical Arm for monitoring Adaptation plate 5" or Quick release, Mounting on Anesthesia Machines (All Manufacturers). Compatible Monitoring Mindray



Double 595 mm Horizontal Medical Arm for monitoring Adaptation plate 5" or Quick release, Mounting on Anesthesia Machines (All Manufacturers). Compatible Monitoring Mindray

This 595 mm dual Horizontal Arm allows you to fix, orient and adjust the monitor perfectly. It is covered with an anti-microbial agent offering hygiene and cleaning in every detail. Its modern design has been specially designed for healthcare environments.

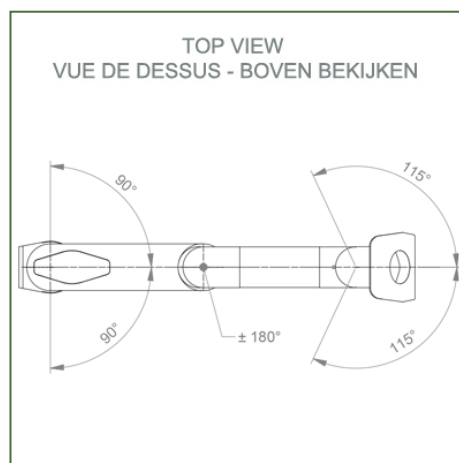
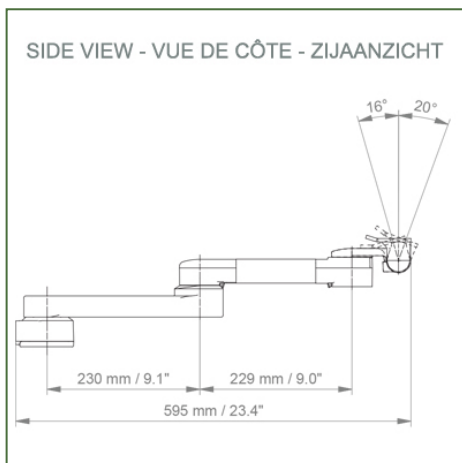
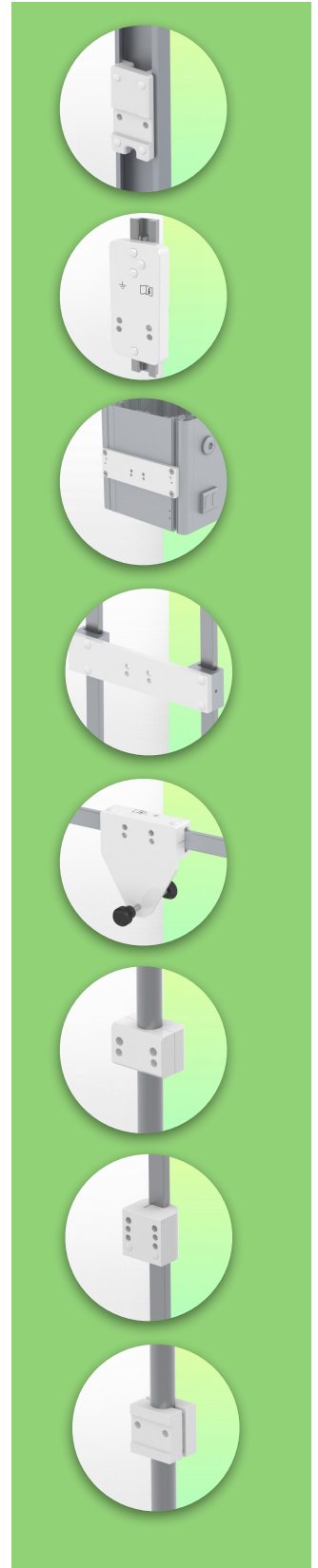
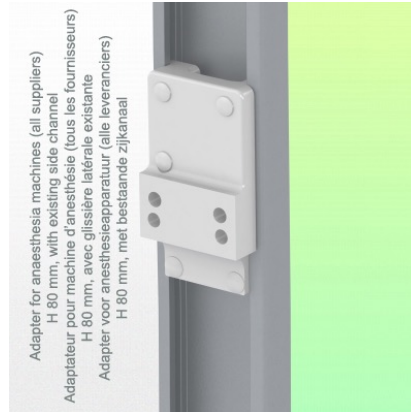
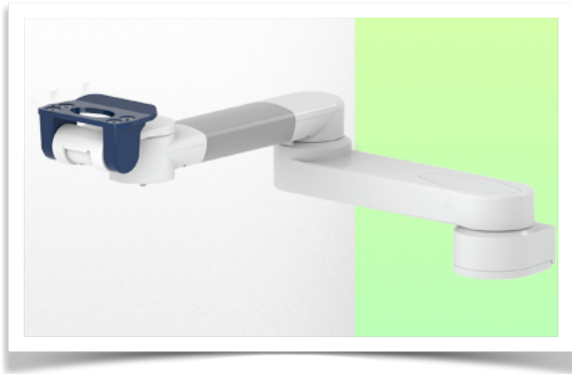
Technical characteristics:

- * Built-in cable passage
- * For Heavy Duty Application
- Mounting on Anaesthesia Machines (All Manufacturers)
- * This medical arm simply attaches to the existing rail of the machine and is then adjusted to the rail and clamped with the two grips.
- * It has no height adjustment.
- * The head of this arm complies with the Mindray monitor mounting
- * Monitor tilt: 16° down and 20° up
- * Monitor rotation: 115° right, 115° left.
- * Arm rotation: 90° right, 90° left.
- * Total length 595 mm
- * Color RAL 5013 cobalt blue and RAL 9016 traffic white
- * Warranty: 5 years

Technical specifications

Part Number: WM 250.129MD

**Double 595 mm Horizontal Medical Arm for monitoring Adaptation plate 5" or Quick release, Mounting on Anesthesia Machines (All Manufacturers).
Compatible Monitoring Mindray**



Monitor adaptation: Diving plate 5" or quick release

Color: Decorative parts: RAL 5013 cobalt blue

Aluminum parts: RAL 9016 traffic white

Max load capacity, support arm: 18 kg

Max load monitor adaptation: 18 kg

Product weight: 3.1 kg

Product highlights:

Arm not adjustable in height. The pivoting arms and extended pivoting arms provide complete cable integration and easy cleaning for infection control in all critical care areas of the clinical environment. Our 5-year warranty guarantees reliable, trouble-free and maintenance-free operation. The swivel function at the attachment point as well as the tilt and swivel function of the monitor adaptation provide optimal positioning of your device. The extended swing arm is a two-part arm with a central pivot point between the two arm sections. All monitors mounted at the bottom have the safety function of a 20° tilt stop.

Mounting information - Adapter Anesthesia Machines

Double 595 mm Horizontal Medical Arm for monitoring Adaptation plate 5" or Quick release, Mounting on Anesthesia Machines (All Manufacturers).

Compatible Monitoring Mindray

Adapter Anesthesia Machines:

Mounting on Anaesthesia Machines (All Manufacturers)

Mounting on the existing rail of the anaesthesia machine with this adapter



Presentation

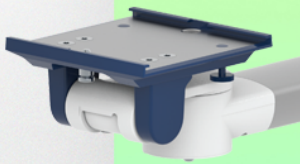
Part Number: WM 250.129MD

Double 595 mm Horizontal Medical Arm for monitoring Adaptation plate 5" or Quick release, Mounting on Anesthesia Machines (All Manufacturers).

Compatible Monitoring Mindray

Mounting adapter 5" Plunge plate

The 5" plunge plate is suitable for the following Mindray monitors:
BeneVision series: N12, iMEC, uMEC, iPM, ePM, BeneView series: T5, T8, T9 and VS series VS-600, VS-900, VS 8, VS 9.



Mounting adapter (quick release)

The monitor adaption is prepared to accept the mounting adapter from Mindray and is suitable for the following Mindray monitors: BeneVision series: N12, iMEC, uMEC, iPM, ePM and BeneView series: T5, T8, T9.

