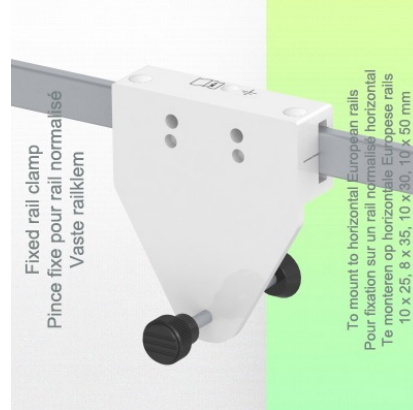
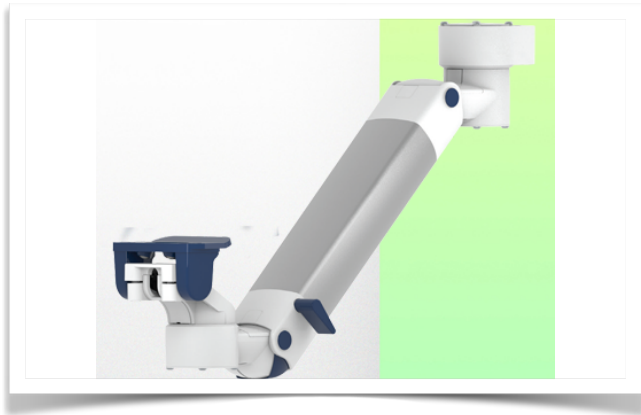


Presentation

Part Number: WM 250.249MD

Medical arm with 5" plunge plate for height-adjustable monitoring, Horizontal Din rail mounting. Supported weight balance scale from 16 to 22 kg. Compatible with Dräger and GE monitoring. Overhead mount

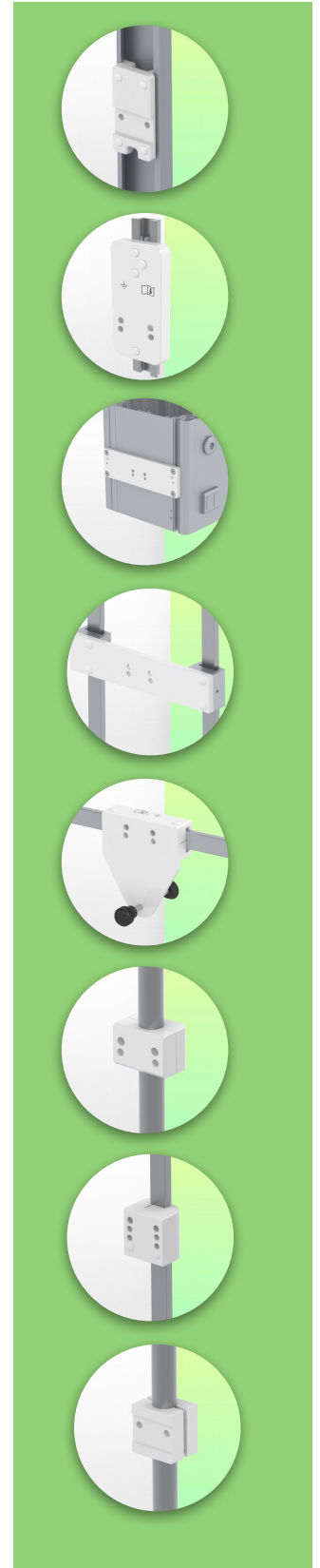


Medical arm with 5" plunge plate for height-adjustable monitoring, Horizontal Din rail mounting. Supported weight balance scale from 16 to 22 kg. Compatible with Dräger and GE monitoring. Overhead mount

Full cable integration and infection prevention thanks to easy-to-clean surfaces make this arm ideal for emergency care areas. Height adjustment for ergonomic, customised positioning of the monitor. This 450 mm Horizontal Medical Arm with gas-lift height adjustment enables the monitor to be fixed, oriented and adjusted perfectly. It is coated with an anti-microbial agent for hygiene and cleaning down to the smallest detail. Its modern design has been specially developed for healthcare environments.

Technical specifications:

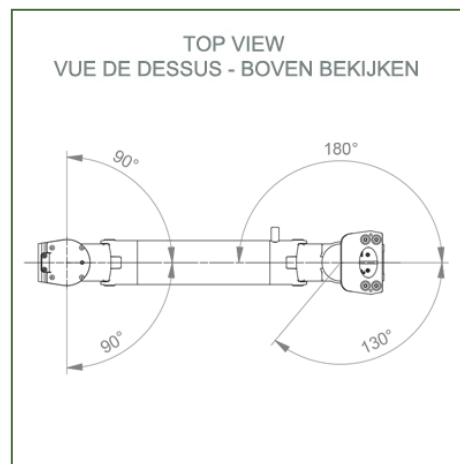
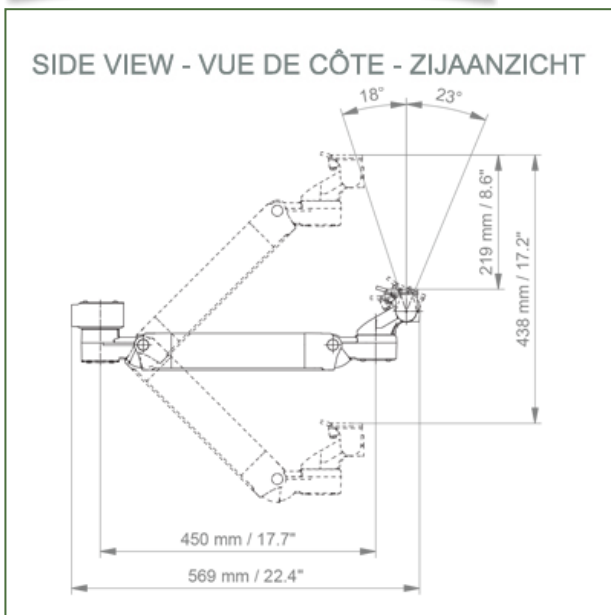
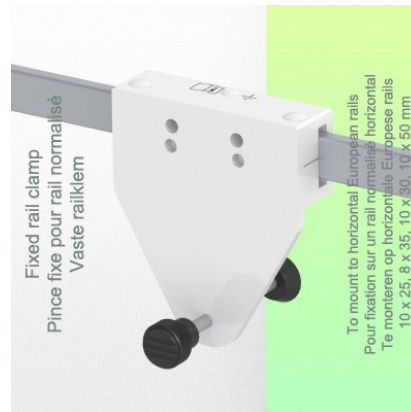
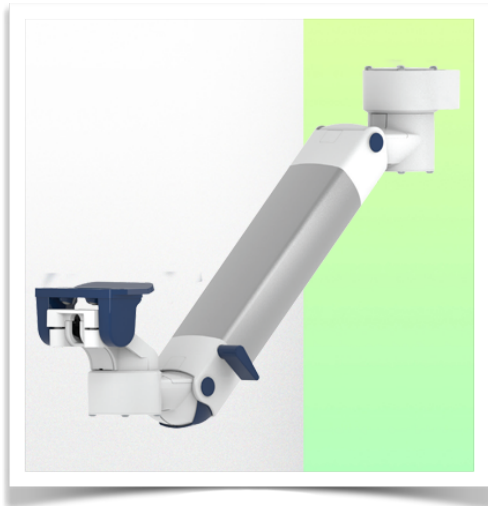
- * Integral cable entry
- * Equipotential bonding
- * This 450 mm Horizontal Arm with gas spring simply adjusts to the desired height and is fixed. It has a safety stop button for height adjustment, allowing the arm to remain in the chosen position.
- * The head of this arm has a 5" Plunge Plate or Quick Release and is compatible with Mindray monitors.
- * Suitable for monitors weighing up to 16-22 Kg.
- * Monitor tilt: 23° down and 18° up
- * Monitor rotation: 130° right, 180° left.
- * Arm rotation: 90° right, 90° left
- * Height adjustment: 438 mm
- * Total length: 569 mm
- * All our medical arms comply with CE, ROHS, Medical Grade, Regulations MDD 93/42 ECC.
- * Colour: RAL 5013 cobalt blue and RAL 9016 traffic white
- * Warranty: 5 years



Technical specifications

Part Number: WM 250.249MD

Medical arm with 5" plunge plate for height-adjustable monitoring, Horizontal Din rail mounting. Supported weight balance scale from 16 to 22 kg. Compatible with Dräger and GE monitoring. Overhead mount



Monitor adaptation: 5" Plunge Plate or Quick Release

Height adjustment: Slow-release spring, parallel adapter for constant viewing angle

Colour: Decorative parts: RAL 5013 cobalt blue

Aluminium parts: RAL 9016 traffic white

Max. load capacity: 22 kg

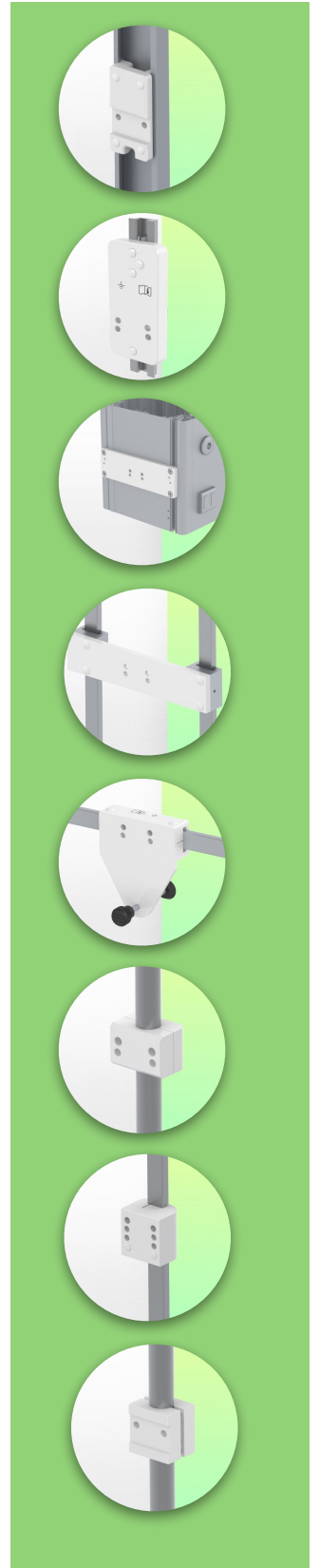
Monitor adaptation max. load: 18 Kg

Balance scale on this medical arm: 16 - 22 Kg

Product weight: 3.8 Kg

Safety: Has a safety stop button for height adjustment, which allows the medical arm to remain in the chosen position.

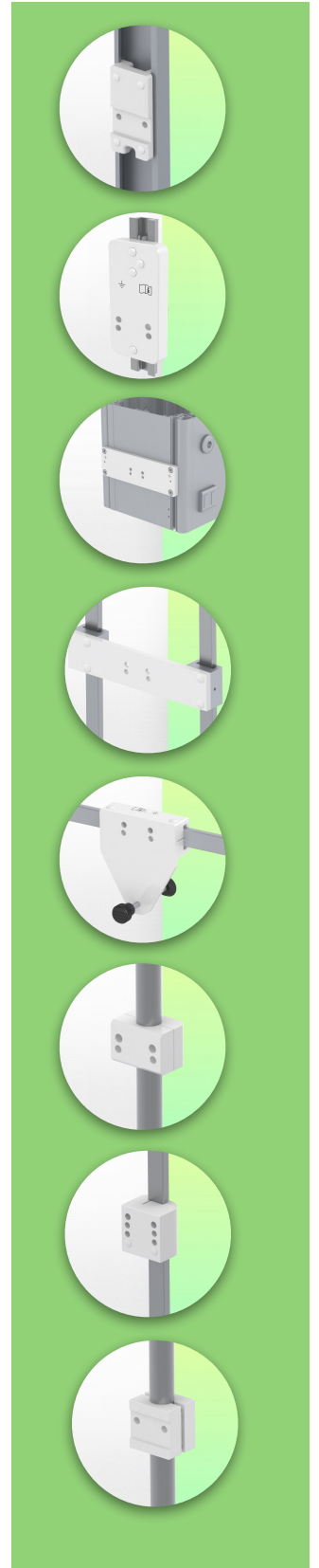
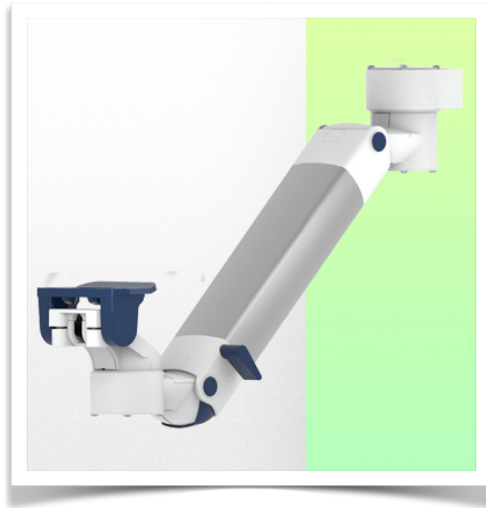
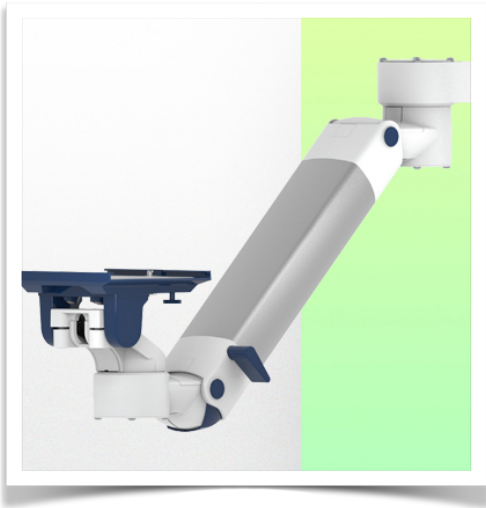
Compatibility: Monitoring Mindray



Presentation

Part Number: WM 250.249MD

Medical arm with 5" plunge plate for height-adjustable monitoring, Horizontal Din rail mounting. Supported weight balance scale from 16 to 22 kg. Compatible with Dräger and GE monitoring. Overhead mount



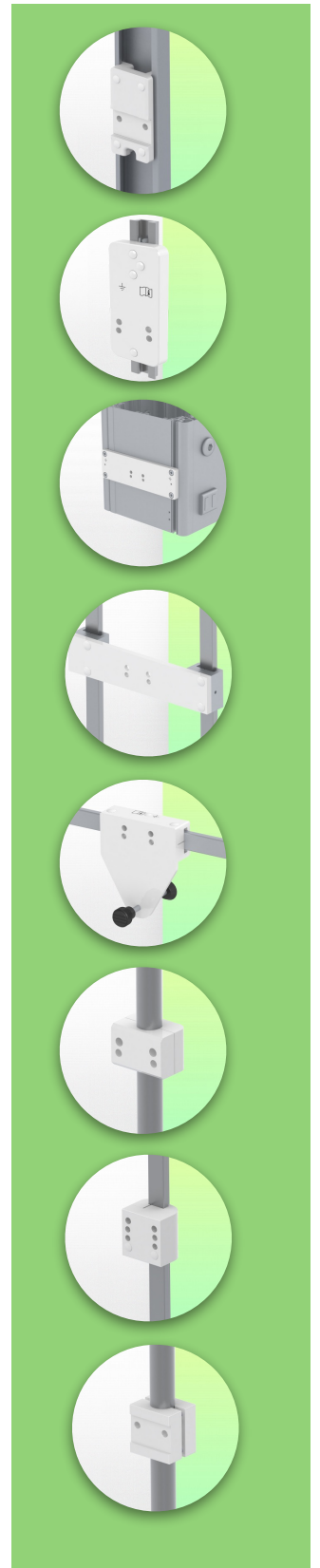
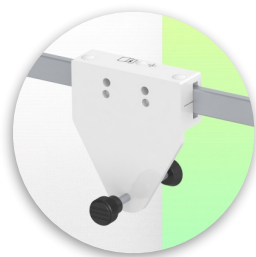
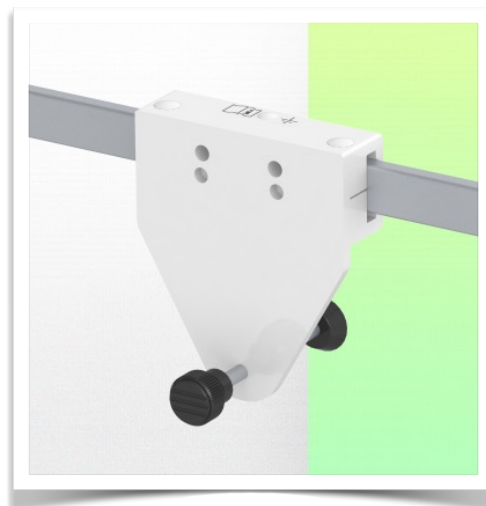
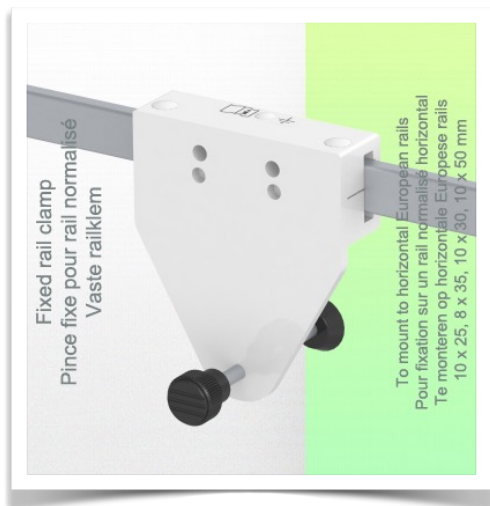
Installation information - Din Rail Horizontal

Part Number: WM 250.249MD

Medical arm with 5" plunge plate for height-adjustable monitoring, Horizontal Din rail mounting. Supported weight balance scale from 16 to 22 kg. Compatible with Dräger and GE monitoring. Overhead mount

Din Rail Horizontal:

Fixed standard rail clamp For mounting on horizontal standard rail 10 x 25, 8 x 35, 10 x 30, 10 x 50 mm



Presentation

Part Number: WM 250.249MD

Medical arm with 5" plunge plate for height-adjustable monitoring, Horizontal Din rail mounting. Supported weight balance scale from 16 to 22 kg. Compatible with Dräger and GE monitoring. Overhead mount

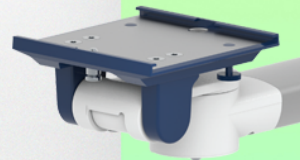
Mounting adapter (quick release)

The monitor adaption is prepared to accept the mounting adapter from Mindray and is suitable for the following Mindray monitors: BeneVision series: N12, iMEC, uMEC, iPM, ePM and BeneView series: T5, T8, T9.



Mounting adapter 5" Plunge plate

The 5" plunge plate is suitable for the following Mindray monitors:
BeneVision series: N12, iMEC, uMEC, iPM, ePM, BeneView series: T5, T8, T9 and VS series VS-600, VS-900, VS 8, VS 9.



Adaptation with 5" plunger plate

Monitor mounting plates for monitoring

The 5" plunger plate is designed to accommodate bottom-mounted monitors. Please note that a special mounting adapter is required for some monitors. The mounting adapter is installed on the bottom and slides into the 5" immersion plate.

