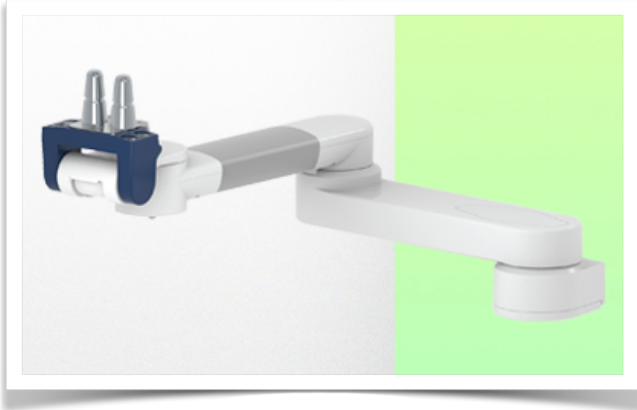


**Presentation**

**Part Number: WM 260.111**

**2 x 300 mm swivelling Horizontal Medical Arm for monitoring Philips Intellivue Séries (Heavy Duty applications up to 18 Kg), Horizontal Din rail mounting.**



**2 x 300 mm swivelling Horizontal Medical Arm for monitoring Philips Intellivue Séries (Heavy Duty applications up to 18 Kg), Horizontal Din rail mounting.**

This dual 594 mm Horizontal Arm allows the monitor to be perfectly fixed, oriented and adjusted. It is coated with an anti-microbial agent for hygiene and cleaning down to the smallest detail. Its modern design has been specially developed for healthcare environments.

**Technical specifications:**

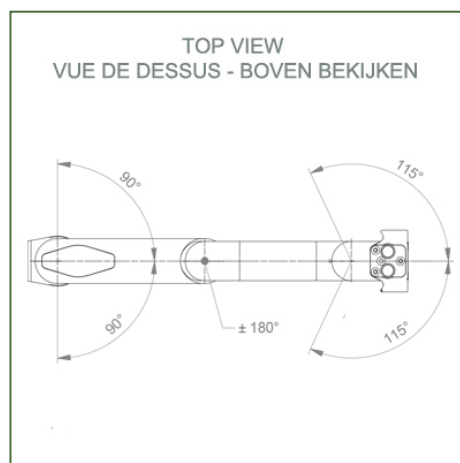
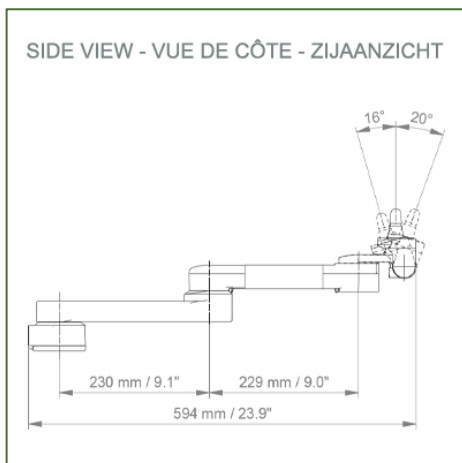
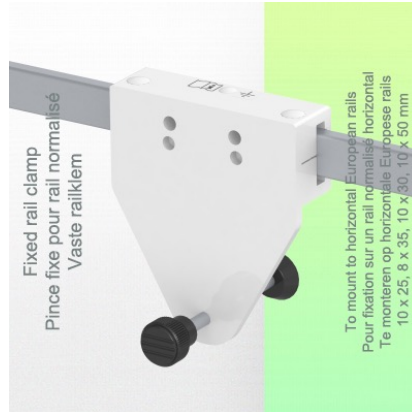
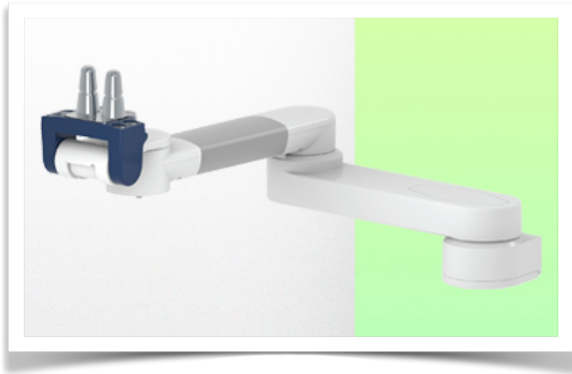
- \* Integral cable management
- \* For heavy-duty applications
- \* Din Horizontal rail mounting
- \* Universal clamp included ( 10 x 25 mm, 8 x 35 mm, 10 x 30 mm, 10 x 50 mm )
- \* This medical arm simply attaches to the Din Horizontal rail, then adjusts to the rail and clamps with the two grips. There is no height adjustment.
- \* The head of this arm complies with the mounting standard for Philips Intellivue series monitors weighing up to 18 kg.
- \* Monitor tilt: 20° down and 12° up
- \* Monitor rotation: 115° right, 115° left.
- \* Arm rotation: 90° right, 90° left.
- \* Total length: 594 mm
- \* Colour: RAL 5013 cobalt blue and RAL 9016 traffic white
- \* Warranty: 5 years



**Technical specifications**

**Part Number: WM 260.111**

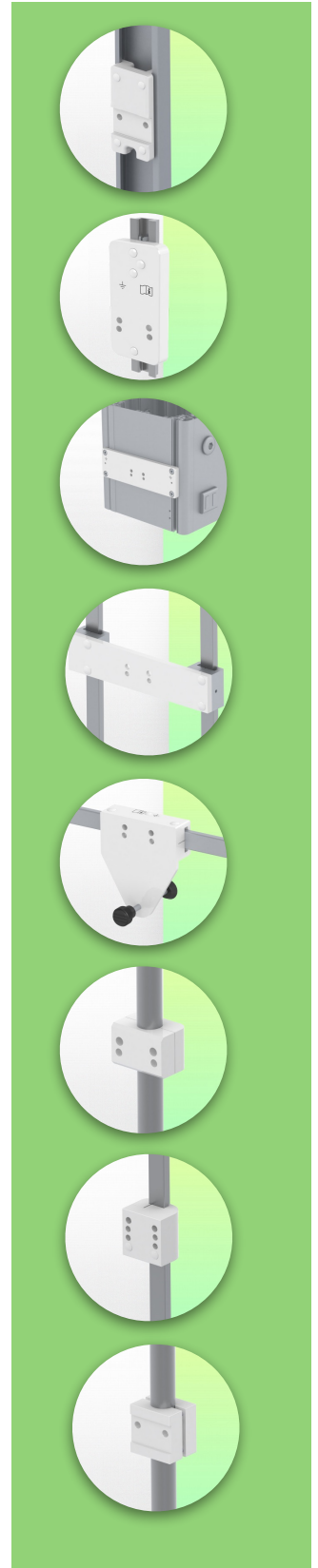
**2 x 300 mm swivelling Horizontal Medical Arm for monitoring Philips Intellivue Séries (Heavy Duty applications up to 18 Kg), Horizontal Din rail mounting.**



- Monitor fitting: Philips Intellivue series**
- Colour: Decorative parts: RAL 5013 cobalt blue**
- Aluminium parts: RAL 9016 traffic white**
- Max. load capacity of support arm: 18 kg**
- Monitor fitting max. load: 18 Kg Product weight: 3,1 Kg**

**Product strengths:**

Non-height-adjustable arm. Swivel arms and extended swivel arms offer full cable integration and easy cleaning for infection control in all critical care areas of the clinical environment. Our 5-year guarantee ensures reliable, trouble-free and maintenance-free operation. The swivel function at the point of attachment and the tilt and swivel function of the monitor adaptation provide optimum positioning of your unit. The extended swivel arm is a two-part arm with a central pivot point between the two arm sections. All bottom-mounted monitors have the safety feature of a 20° tilt stop.



**Installation information - Din Rail Horizontal**

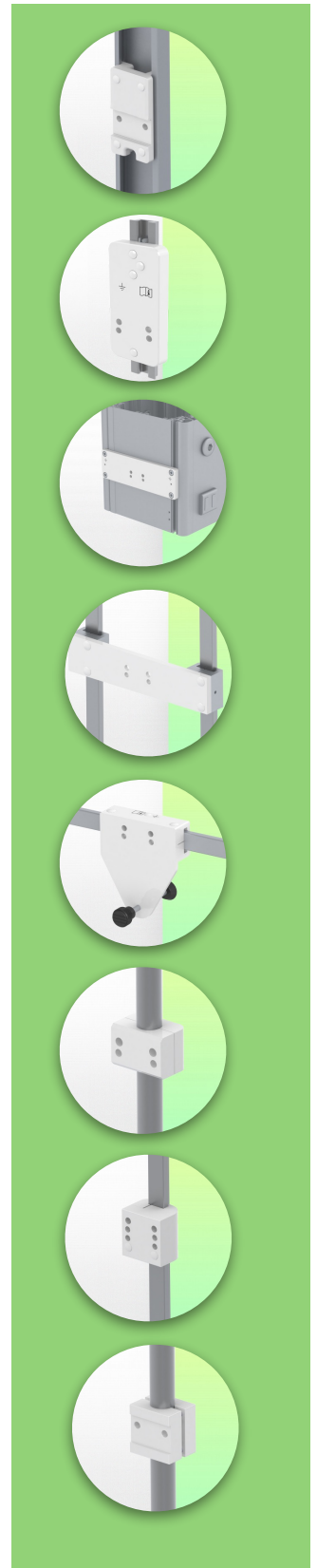
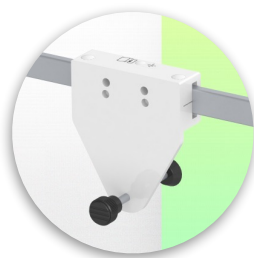
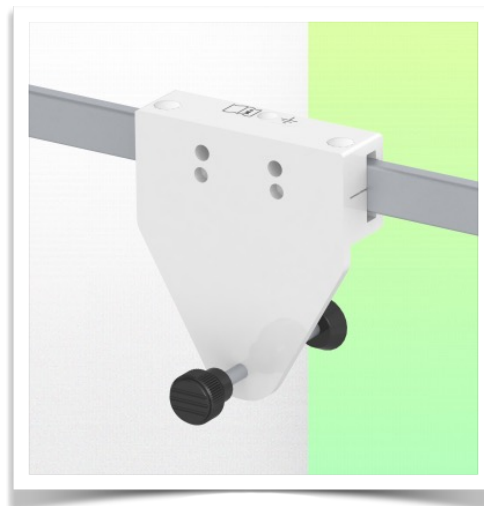
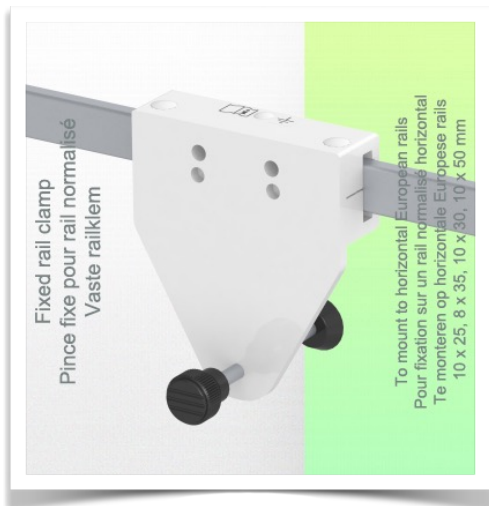
**Part Number: WM 260.111**

**2 x 300 mm swivelling Horizontal Medical Arm for monitoring Philips Intellivue Séries (Heavy Duty applications up to 18 Kg), Horizontal Din rail mounting.**

**Din Horizontal Rail:**

Fixed clamp for standard rail For mounting on horizontal standard rail

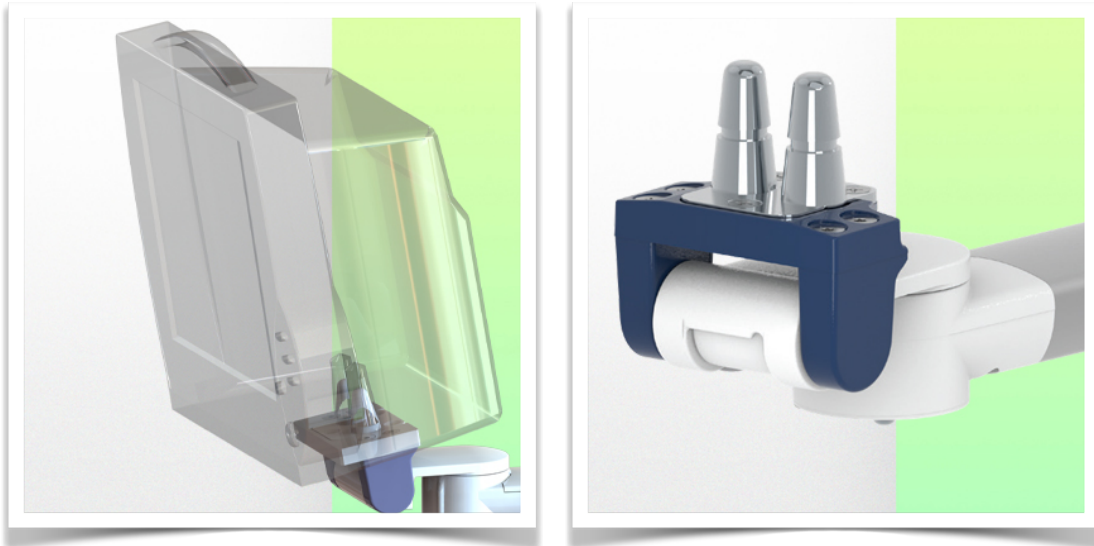
10 x 25, 8 x 35, 10 x 30, 10 x 50 mm



**Presentation**

**Part Number: WM 260.111**

**2 x 300 mm swivelling Horizontal Medical Arm for monitoring Philips Intellivue Séries (Heavy Duty applications up to 18 Kg), Horizontal Din rail mounting.**



**Adaptation monitoring Philips Intellivue series**

All our medical arms can be fitted with this adaptation, some illustrations of which can be found here.

