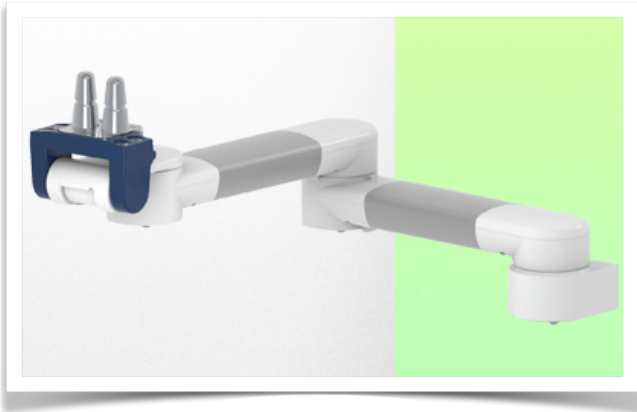


Presentation

Part Number: WM 260.128

128 Horizontal swivelling Medical Arm 2 x 300 mm for monitoring Philips Intellivue Séries (light applications up to 8 Kg), Mounting on Anesthesia Machines (All manufacturers).



128 Horizontal swivelling Medical Arm 2 x 300 mm for monitoring Philips Intellivue Séries (light applications up to 8 Kg), Mounting on Anesthesia Machines (All manufacturers).

This 591 mm Horizontal Arm allows you to fix, orient and adjust the monitor perfectly. It is covered with an anti-microbial agent offering hygiene and cleaning in every detail. Its modern design has been specially designed for healthcare environments.

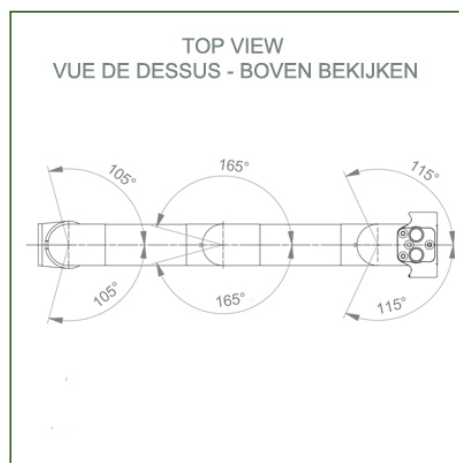
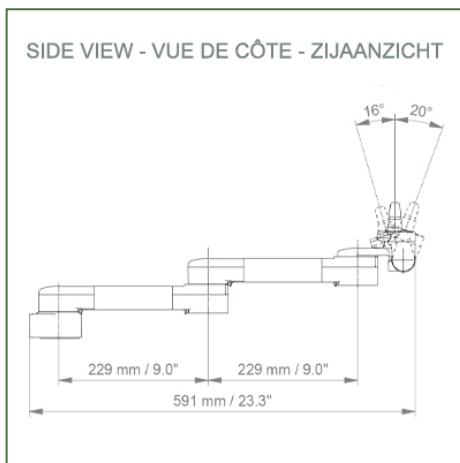
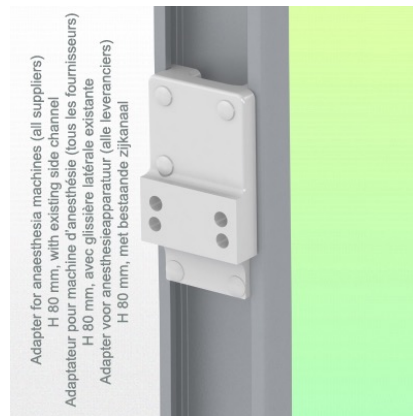
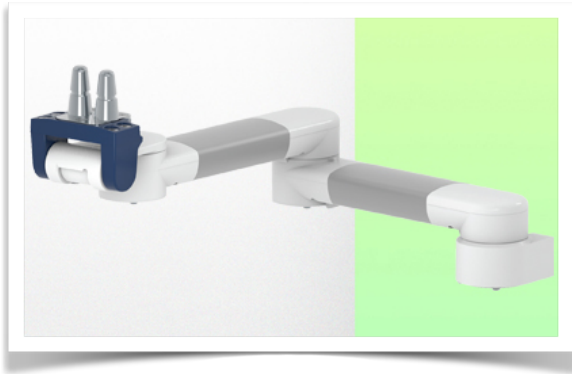
Technical characteristics:

- * Built-in cable passage
- * For Light Application
- * Mounting on Anaesthesia Machines (All Manufacturers)
- * This medical arm simply attaches to the existing rail of the machine and is then adjusted to the rail and clamped with the two grips. It has no height adjustment.
- * The head of this arm complies with the Philips Intellivue Series Monitor mounting standard, which does not exceed 8 Kg.
- * Monitor tilt: 20° down and 12° up
- * Monitor rotation: 115° right, 115° left.
- * Arm rotation: 105° right, 105° left.
- * Total length 591 mm
- * Color RAL 5013 cobalt blue and RAL 9016 traffic white
- * Warranty: 5 years

Technical specifications

Part Number: WM 260.128

128 Horizontal swivelling Medical Arm 2 x 300 mm for monitoring Philips Intellivue Séries (light applications up to 8 Kg), Mounting on Anesthesia Machines (All manufacturers).



Monitor adaptation: Philips Intellivue series
Color: Decorative parts: RAL 5013 cobalt blue
Aluminum parts: RAL 9016 traffic white
Max load capacity, support arm: 8 kg
Max load monitor adaptation: 8 kg
Product weight: 2.8 kg

Product highlights:

Arm not adjustable in height. The pivoting arms and extended pivoting arms provide complete cable integration and easy cleaning for infection control in all critical care areas of the clinical environment. Our 5-year warranty guarantees reliable, trouble-free and maintenance-free operation. The swivel function at the attachment point as well as the tilt and swivel function of the monitor adaptation provide optimal positioning of your device. The extended swing arm is a two-part arm with a central pivot point between the two arm sections. All monitors mounted at the bottom have the safety function of a 20° tilt stop.



Mounting information - Adapter Anesthesia Machines

Part Number: WM 260.128

128 Horizontal swivelling Medical Arm 2 x 300 mm for monitoring Philips Intellivue Séries (light applications up to 8 Kg), Mounting on Anesthesia Machines (All manufacturers).

Adapter Anesthesia Machines:

Mounting on Anaesthesia Machines (All Manufacturers)

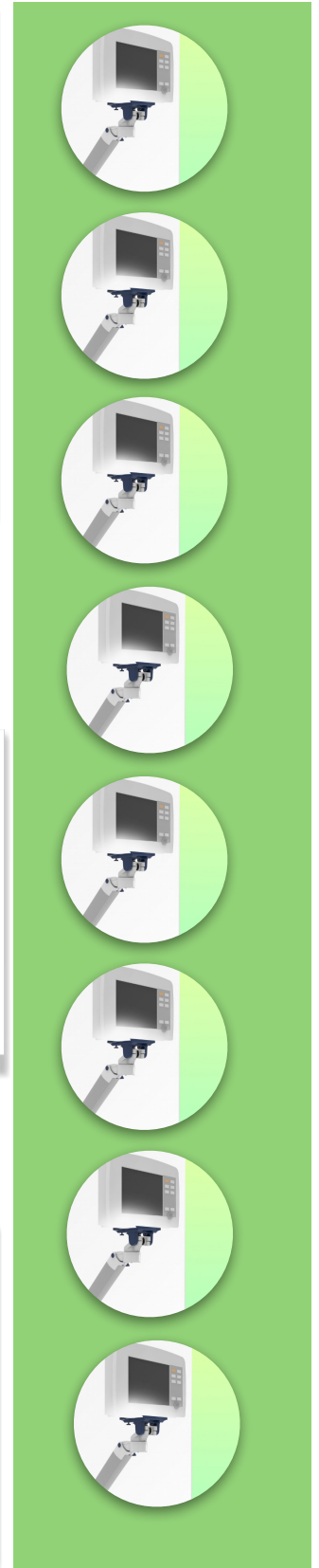
Mounting on the existing rail of the anaesthesia machine with this adapter



Presentation

Part Number: WM 260.128

128 Horizontal swivelling Medical Arm 2 x 300 mm for monitoring Philips Intellivue Séries (light applications up to 8 Kg), Mounting on Anesthesia Machines (All manufacturers).



Adaptation monitoring Philips Intellivue series

All our medical arms can be fitted with this adaptation, some illustrations of which can be found here.

