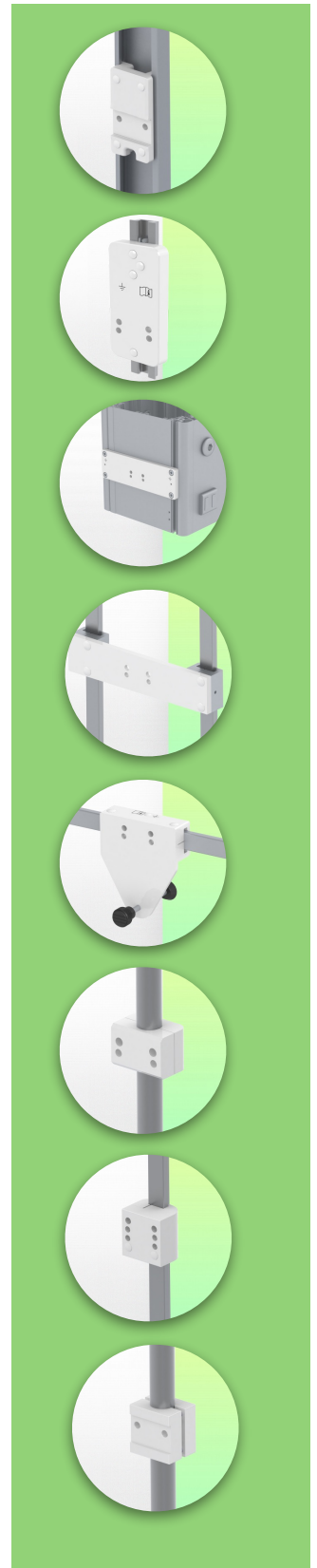
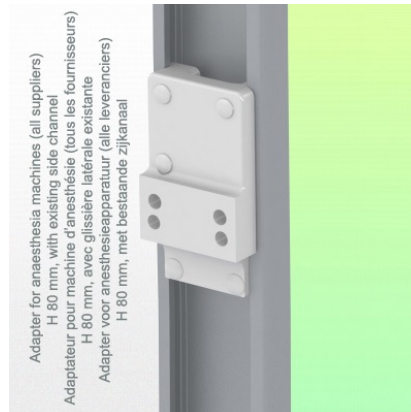
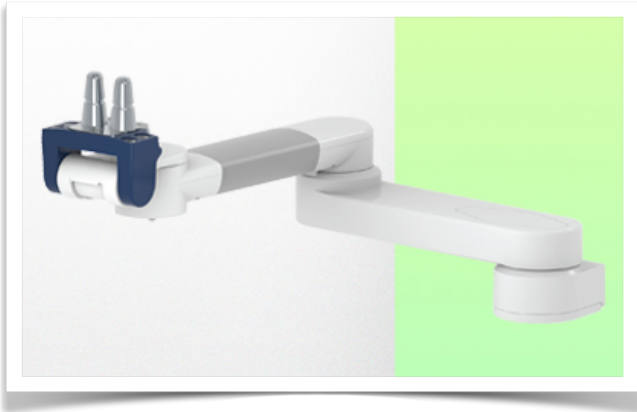


**Presentation**

**Part Number: WM 260.129**

**Horizontal swivelling Medical Arm 2 x 300 mm for monitoring Philips Intellivue Séries (Heavy Duty applications up to 18 Kg), Mounting on Anesthesia Machines (All manufacturers).**



**Horizontal swivelling Medical Arm 2 x 300 mm for monitoring Philips Intellivue Séries (Heavy Duty applications up to 18 Kg), Mounting on Anesthesia Machines (All manufacturers).**

This 594 mm dual Horizontal Arm allows you to fix, orient and adjust the monitor perfectly. It is covered with an anti-microbial agent offering hygiene and cleaning in every detail. Its modern design has been specially designed for healthcare environments.

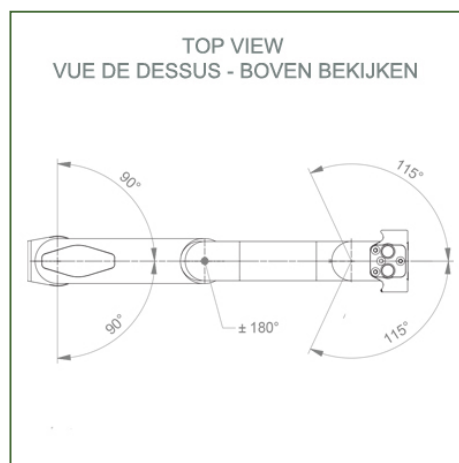
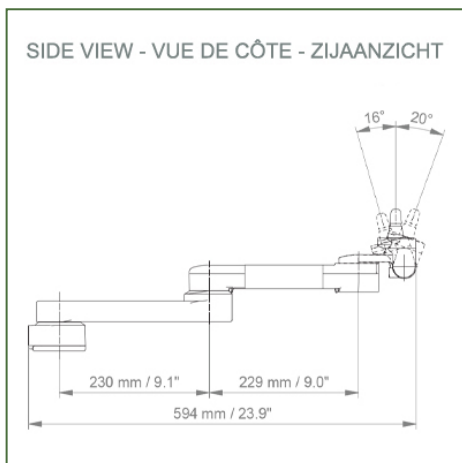
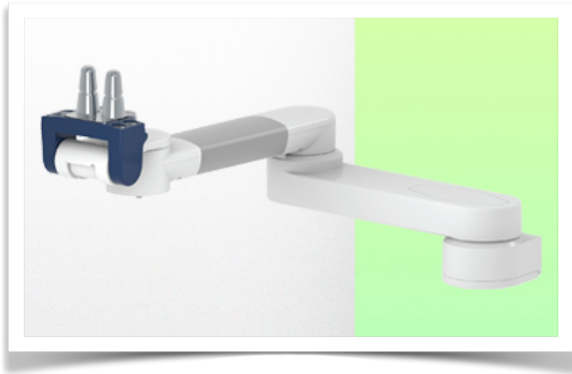
**Technical characteristics:**

- \* Built-in cable passage
- \* For Heavy Duty Application
- Mounting on Anaesthesia Machines (All Manufacturers)
- \* This medical arm simply attaches to the existing rail of the machine and is then adjusted to the rail and clamped with the two grips.
- \* It has no height adjustment.
- \* The head of this arm complies with the Philips Intellivue Series monitor mounting standard, which does not exceed 18 Kg.
- \* Monitor tilt: 20° down and 12° up
- \* Monitor rotation: 115° right, 115° left.
- \* Arm rotation: 90° right, 90° left.
- \* Total length 594 mm
- \* Color RAL 5013 cobalt blue and RAL 9016 traffic white
- \* Warranty: 5 years

**Technical specifications**

**Part Number: WM 260.129**

**Horizontal swivelling Medical Arm 2 x 300 mm for monitoring Philips Intellivue Séries (Heavy Duty applications up to 18 Kg), Mounting on Anesthesia Machines (All manufacturers).**



**Monitor adaptation:** Philips Intellivue Series  
**Color: Decorative parts:** RAL 5013 cobalt blue  
**Aluminum parts:** RAL 9016 traffic white  
**Max load capacity, support arm:** 18 kg  
**Max load monitor adaptation:** 18 kg  
**Product weight:** 3.1 kg

**Product highlights:**

Arm not adjustable in height. The pivoting arms and extended pivoting arms provide complete cable integration and easy cleaning for infection control in all critical care areas of the clinical environment. Our 5-year warranty guarantees reliable, trouble-free and maintenance-free operation. The swivel function at the attachment point as well as the tilt and swivel function of the monitor adaptation provide optimal positioning of your device. The extended swing arm is a two-part arm with a central pivot point between the two arm sections. All monitors mounted at the bottom have the safety function of a 20° tilt stop.

**Mounting information - Adapter Anesthesia Machines**

**Part Number: WM 260.129**

**Horizontal swivelling Medical Arm 2 x 300 mm for monitoring Philips Intellivue Séries (Heavy Duty applications up to 18 Kg), Mounting on Anesthesia Machines (All manufacturers).**

**Adapter Anesthesia Machines:**

Mounting on Anaesthesia Machines (All Manufacturers)

Mounting on the existing rail of the anaesthesia machine with this adapter



**Presentation**

**Part Number: WM 260.129**

**Horizontal swivelling Medical Arm 2 x 300 mm for monitoring Philips Intellivue Séries (Heavy Duty applications up to 18 Kg), Mounting on Anesthesia Machines (All manufacturers).**



**Adaptation monitoring Philips Intellivue series**

All our medical arms can be fitted with this adaptation, some illustrations of which can be found here.

