

**Presentation**

**Part Number: WM 260.131X**

**Height-adjustable medical arm, length 450 mm, for monitoring Philips Intellivue MP2/X2/X3 Séries, wall-mounted on a vertical sliding rail. Supported weight balancing range from 2 to 5 Kg. mounting without power cable hook**



**Height-adjustable medical arm, length 450 mm, for monitoring Philips Intellivue MP2/X2/X3 Séries, wall-mounted on a vertical sliding rail. Supported weight balancing range from 2 to 5 Kg. mounting without power cable hook**

Full cable integration and infection prevention thanks to easy-to-clean surfaces make this arm ideal for emergency care areas. Height adjustment for ergonomic, customised positioning of the monitor. This 450 mm Horizontal Medical Arm with gas-lift height adjustment enables the monitor to be fixed, oriented and adjusted perfectly. It is coated with an anti-microbial agent for hygiene and cleaning down to the smallest detail. Its modern design has been specially developed for healthcare environments.

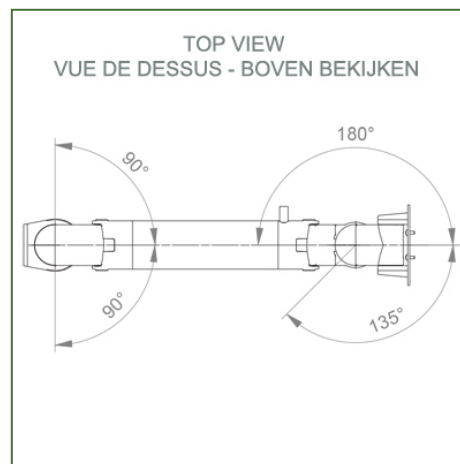
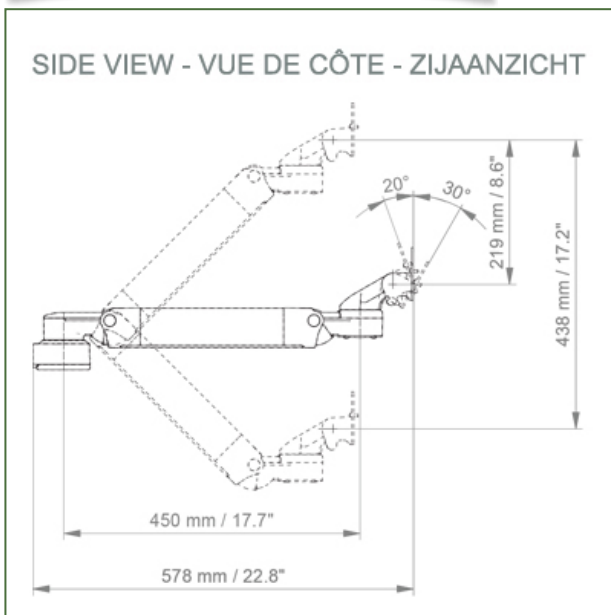
**Technical specifications:**

\* Integral cable entry \* Equipotential bonding \* Optional Vertical Wall Slide Rail mounting, of which several lengths are available (480 mm - 720 mm - 960 mm - 1200 mm). These wall rails can be easily cut to size. All cables also run through the wall rail. (See Options on the following pages) \* This 450 mm gas-pressurised Horizontal Arm simply slides into the wall rail, then adjusts to the required height and locks in place. It has a safety stop button for height adjustment, allowing the arm to remain in the chosen position. \* The head of this arm is compatible with Philips Intellivue MP2 / X2 / X3 Series monitors. \* Suitable for monitors weighing up to 2-5 Kg. \* Monitor tilt: 30° down and 20° up \* Monitor rotation: 135° right, 180° left. \* Arm rotation: 90° right, 90° left \* Height adjustment: 438 mm \* Total length: 578 mm \* All our medical arms comply with CE, ROHS, Medical Grade, Regulations MDD 93/42 ECC. \* Colour: RAL 5013 cobalt blue and RAL 9016 traffic white \* Warranty: 5 years

## Technical specifications

Part Number: WM 260.131X

Height-adjustable medical arm, length 450 mm, for monitoring Philips Intellivue MP2/X2/X3 Séries, wall-mounted on a vertical sliding rail. Supported weight balancing range from 2 to 5 Kg. mounting without power cable hook



**Monitor adaptation:** Philips Intellivue MP2/X2/X3 Series

**Height adjustment:** Slow-release spring, parallel adapter for constant viewing angle

**Colour:** Decorative parts: RAL 5013 cobalt blue

**Aluminium parts:** RAL 9016 traffic white

**Max. load capacity:** 22 kg

**Monitor adaptation max. load:** 18 Kg

**Balance scale on this medical arm:** 2 - 5 Kg

**Product weight:** 3.8 Kg

**Safety:** Has a safety stop button for height adjustment, which allows the medical arm to remain in the chosen position.

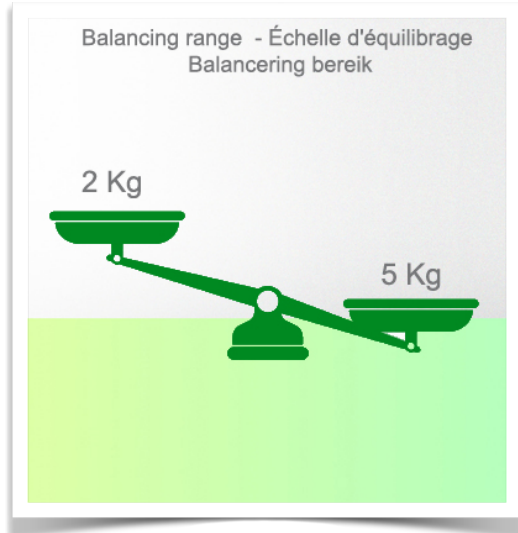
**Compatibility:** Monitoring Philips Intellivue MP2/X2/X3 Series



**Presentation**

**Part Number: WM 260.131X**

Height-adjustable medical arm, length 450 mm, for monitoring Philips Intellivue MP2/X2/X3 Séries, wall-mounted on a vertical sliding rail. Supported weight balancing range from 2 to 5 Kg. mounting without power cable hook





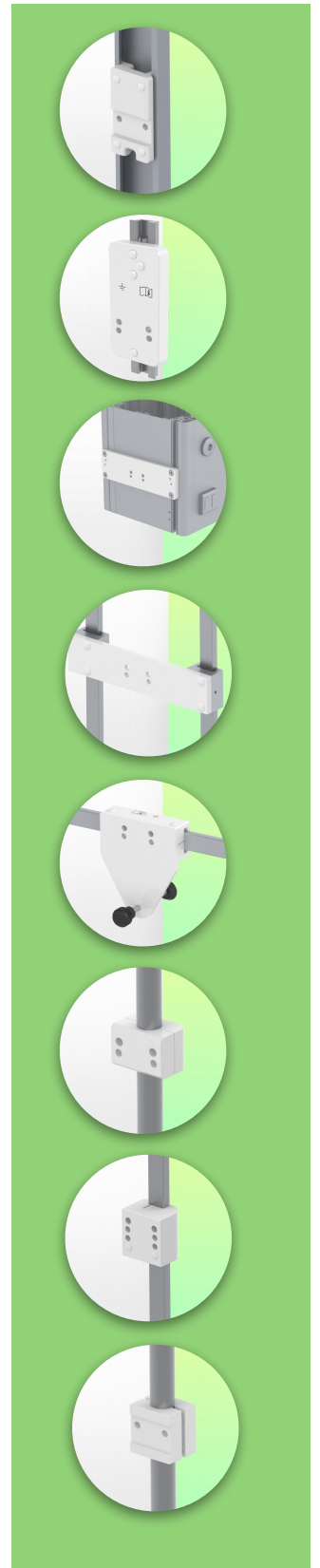
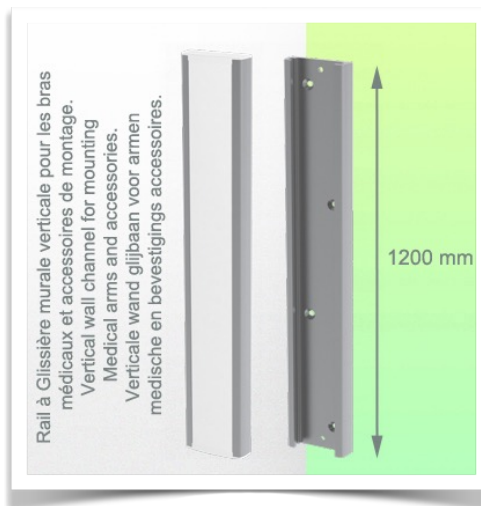
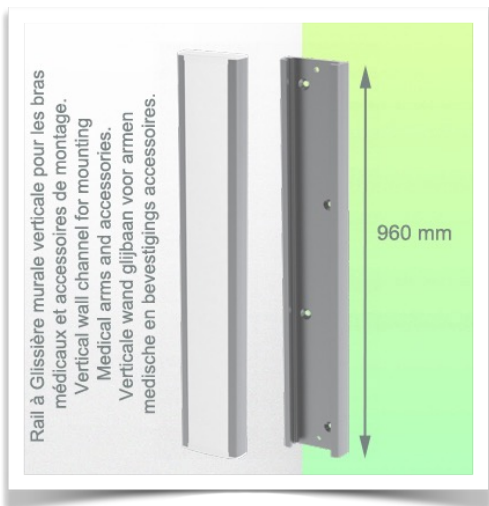
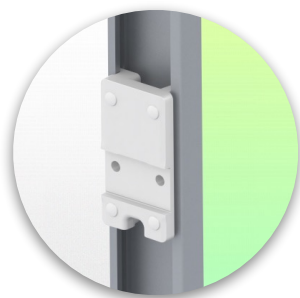
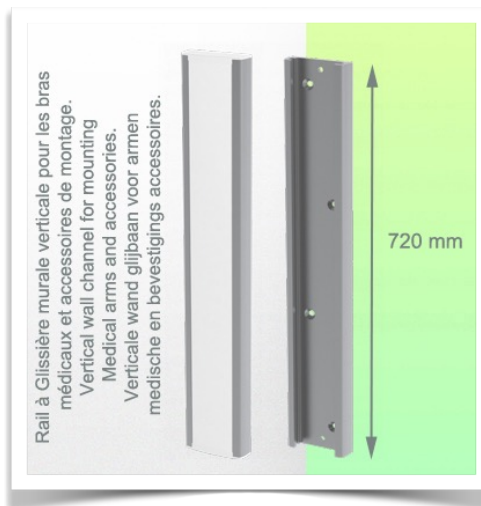
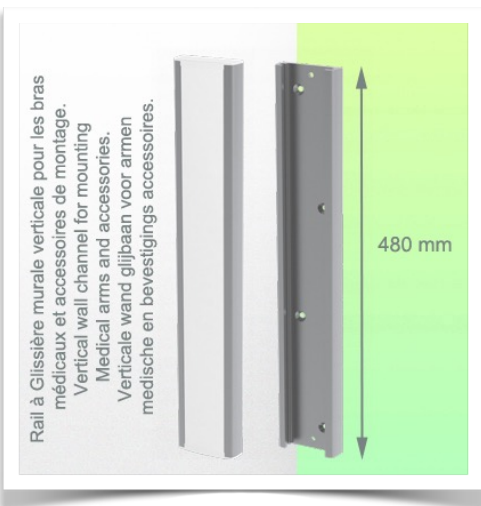
**Installation information - Wall-mounted slide rail**

**Part Number: WM 260.131X**

**Height-adjustable medical arm, length 450 mm, for monitoring Philips Intellivue MP2/X2/X3 Séries, wall-mounted on a vertical sliding rail. Supported weight balancing range from 2 to 5 Kg. mounting without power cable hook**

**Wall-mounted slide rail:**

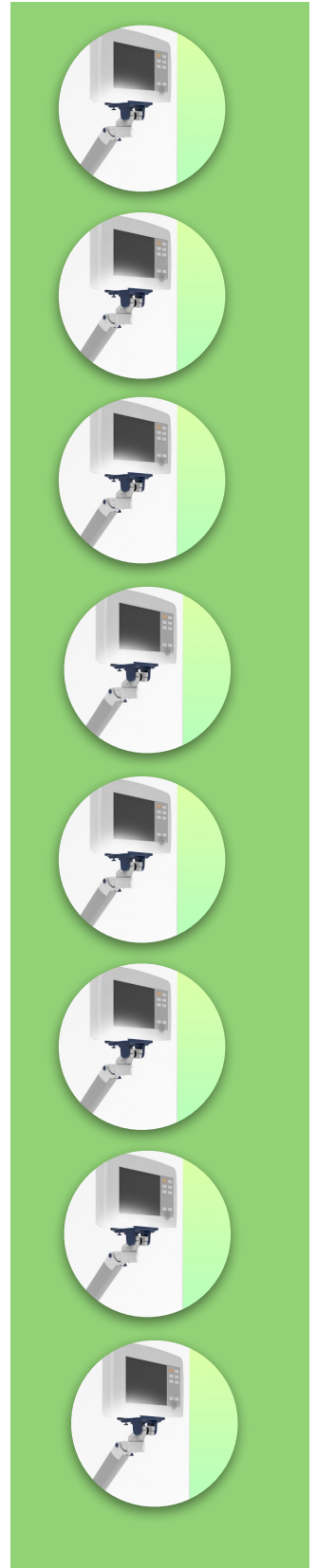
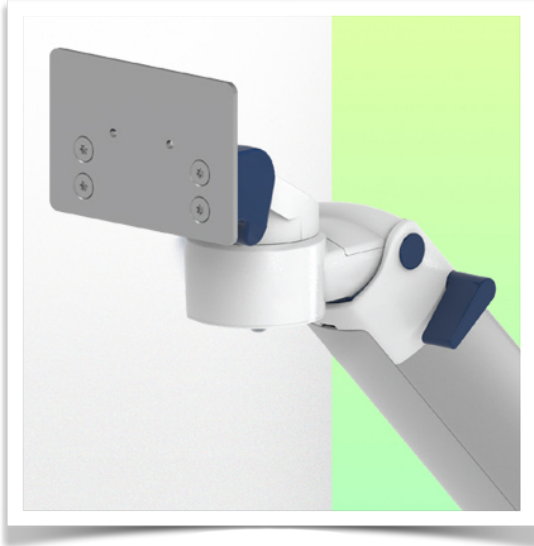
To install this medical arm, you must either use an existing rail in your installation or order one of our slide rails. These are available in standard lengths of 480mm, 720mm, 960mm and 1200mm. Custom lengths are available on request. Slide covers and end caps are supplied with every order.



**Presentation**

**Part Number: WM 260.131X**

Height-adjustable medical arm, length 450 mm, for monitoring Philips Intellivue MP2/X2/X3 Séries, wall-mounted on a vertical sliding rail. Supported weight balancing range from 2 to 5 Kg. mounting without power cable hook



**Adaptation monitoring Philips Intellivue MP2 / X2 / X3 series**

All our medical arms can be fitted with this adaptation, some illustrations of which can be found here.

