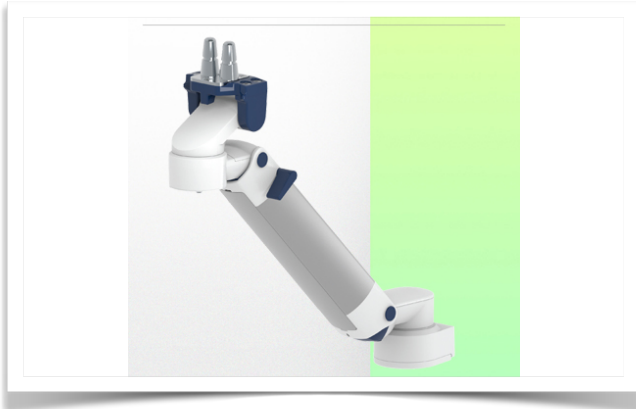


## Presentation

Part Number: WM 260.138

Height-adjustable medical arm, length 450 mm, for monitoring Philips Intellivue Séries, floor or ceiling column mounting. Supported weight balancing range from 13 to 16 Kg.



Cette colonne possède deux rails de fixation pour les différents éléments qui y seront fixés. (1 rail à l'avant de la colonne, 1 rail à l'arrière)

This column has two fixing rails for the different elements that will be fixed to it (1 rail at the front of the column, 1 rail at the back)

Deze zuil heeft twee bevestigingsrails voor de verschillende elementen die eraan bevestigd zullen worden (1 rail aan de voorkant van de zuil, 1 rail aan de achterkant)



Height-adjustable medical arm, length 450 mm, for monitoring Philips Intellivue Séries, floor or ceiling column mounting. Supported weight balancing range from 13 to 16 Kg.

Full cable integration and infection prevention thanks to easy-to-clean surfaces make this arm ideal for emergency care areas. Height adjustment for ergonomic, customised positioning of the monitor. This 450 mm Horizontal Medical Arm with gas-lift height adjustment enables the monitor to be fixed, oriented and adjusted perfectly. It is coated with an anti-microbial agent for hygiene and cleaning down to the smallest detail. Its modern design has been specially developed for healthcare environments.

### Technical specifications:

- \* Integral cable entry \* Equipotential bonding \* Optional floor or ceiling columns are available in various heights (1500 - 2000 mm). These columns can be easily cut to size. All cables are also routed through the column. (See Option on the following pages) \* This 450 mm gas-pressurised Horizontal Arm simply slides into the column rail, then adjusts to the required height and locks in place. It has a safety stop button for height adjustment, allowing the arm to remain in the chosen position.
- \* The head of this arm has a 5" Plunge Plate and is compatible with Philips Intellivue Series monitors. \* Suitable for monitors weighing up to 13-16 Kg.
- \* Monitor tilt: 21° down and 20° up \* Monitor rotation: 115° right, 115° left.
- \* Arm rotation: 105° right, 105° left \* Height adjustment: 438 mm
- \* Total length: 531 mm \* All our medical arms comply with CE, ROHS, Medical Grade, Regulations MDD 93/42 ECC. \* Colour: RAL 5013 cobalt blue and RAL 9016 traffic white \* Warranty: 5 years



## Technical specifications

Part Number: WM 260.138

Height-adjustable medical arm, length 450 mm, for monitoring Philips Intellivue Séries, floor or ceiling column mounting. Supported weight balancing range from 13 to 16 Kg.



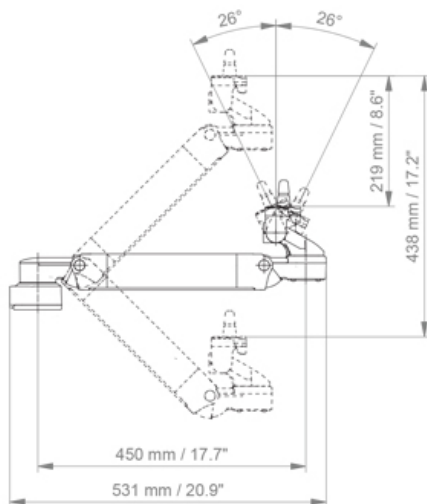
Cette colonne possède deux rails de fixation pour les différents éléments qui y seront fixés. (1 rail à l'avant de la colonne, 1 rail à l'arrière)

This column has two fixing rails for the different elements that will be fixed to it (1 rail at the front of the column, 1 rail at the back)

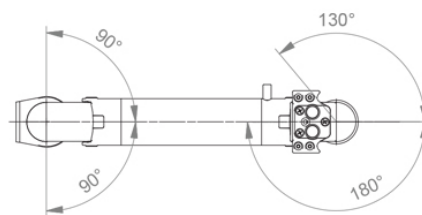
Deze zuil heeft twee bevestigingsrails voor de verschillende elementen die eraan bevestigd zullen worden (1 rail aan de voorkant van de zuil, 1 rail aan de achterkant)



SIDE VIEW - VUE DE CÔTE - ZIJAAZICHT



TOP VIEW  
VUE DE DESSUS - BOVEN BEKIJKEN



**Monitor adaptation:** Philips Intellivue Series

**Height adjustment:** Slow-release spring, parallel adapter for constant viewing angle

**Colour:** Decorative parts: RAL 5013 cobalt blue

**Aluminium parts:** RAL 9016 traffic white

**Max. load capacity:** 22 kg

**Monitor adaptation max. load:** 18 Kg

**Balance scale on this medical arm:** 13 - 16 Kg

**Product weight:** 3.8 Kg

**Safety:** Has a safety stop button for height adjustment, which allows the medical arm to remain in the chosen position.

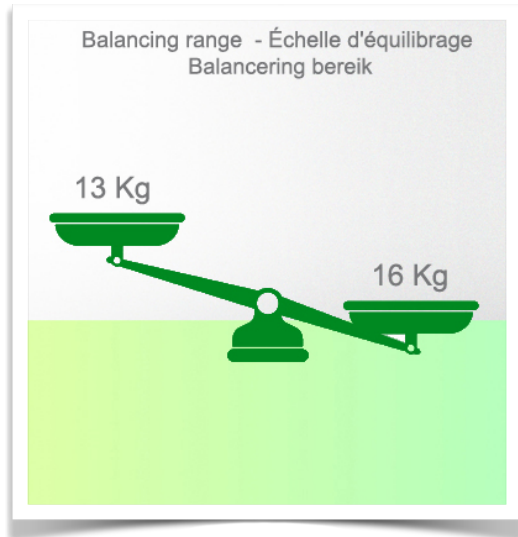
**Compatibility:** Monitoring Philips Intellivue series



**Presentation**

**Part Number: WM 260.138**

Height-adjustable medical arm, length 450 mm, for monitoring Philips Intellivue Séries, floor or ceiling column mounting. Supported weight balancing range from 13 to 16 Kg.



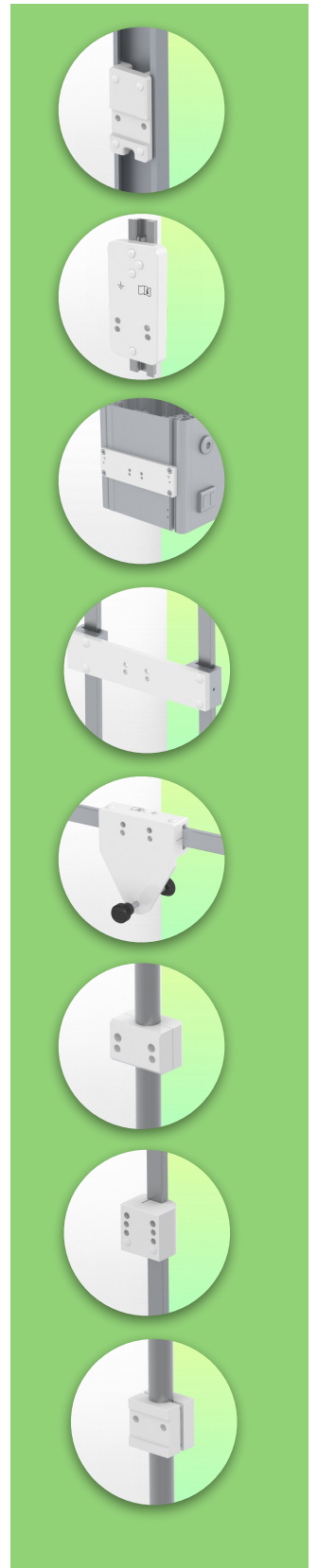
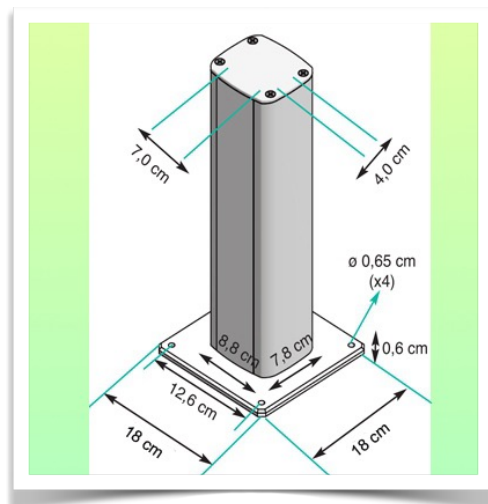
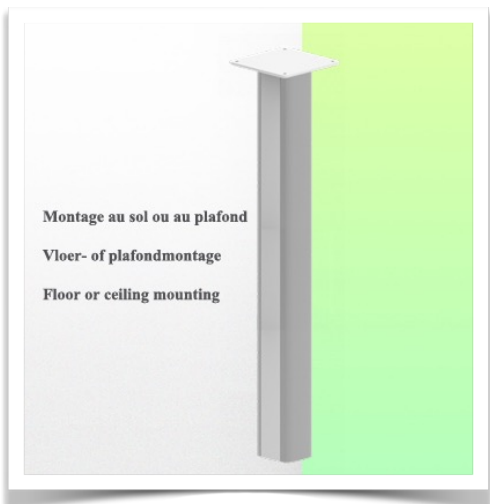
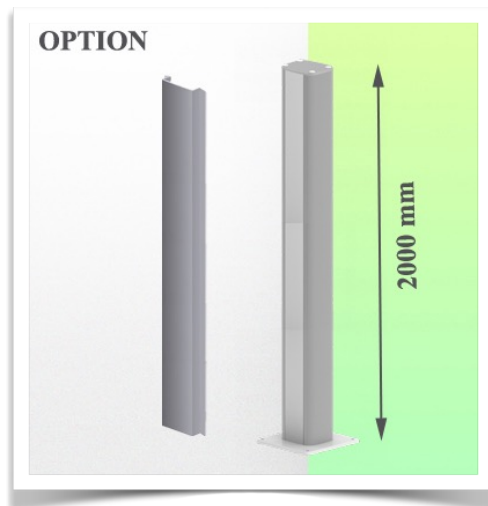
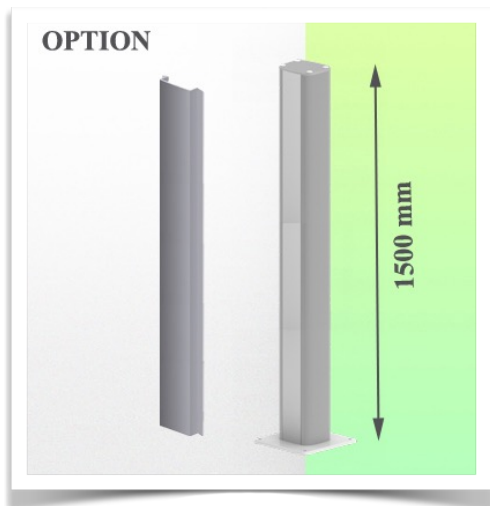
**Installation information - Column Slide Rail**

**Part Number: WM 260.138**

Height-adjustable medical arm, length 450 mm, for monitoring Philips Intellivue Séries, floor or ceiling column mounting. Supported weight balancing range from 13 to 16 Kg.

**Floor or ceiling column:**

To install this medical arm, you need to use one of our medical columns. These are available in standard heights of 1500 and 2000 mm. Custom heights are available on request. Slide covers and end caps are supplied with every order.





**Presentation**

**Part Number: WM 260.138**

Height-adjustable medical arm, length 450 mm, for monitoring Philips Intellivue Séries, floor or ceiling column mounting. Supported weight balancing range from 13 to 16 Kg.



**Adaptation monitoring Philips Intellivue series**

All our medical arms can be fitted with this adaptation, some illustrations of which can be found here.

