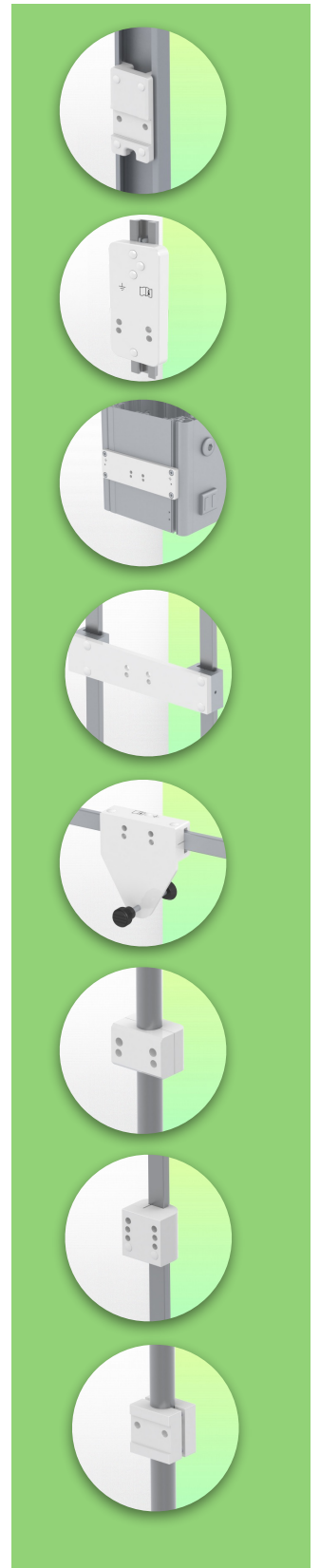
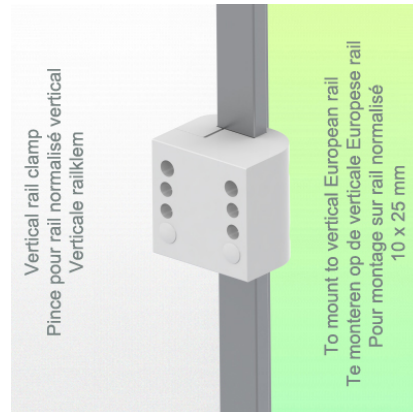


## Presentation

Part Number: WM 260.150X

Height-adjustable medical arm, length 450 mm, for monitoring Philips Intellivue MP2/X2/X3 Séries, Vertical Din rail mounting. Supported weight balancing range from 0 to 3,5 Kg. mounting without power cable hook



Height-adjustable medical arm, length 450 mm, for monitoring Philips Intellivue MP2/X2/X3 Séries, Vertical Din rail mounting. Supported weight balancing range from 0 to 3,5 Kg. mounting without power cable hook

Full cable integration and infection prevention thanks to easy-to-clean surfaces make this arm ideal for emergency care areas. Height adjustment for ergonomic, customised positioning of the monitor. This 450 mm Horizontal Medical Arm with gas-lift height adjustment enables the monitor to be fixed, oriented and adjusted perfectly. It is coated with an anti-microbial agent for hygiene and cleaning down to the smallest detail. Its modern design has been specially developed for healthcare environments.

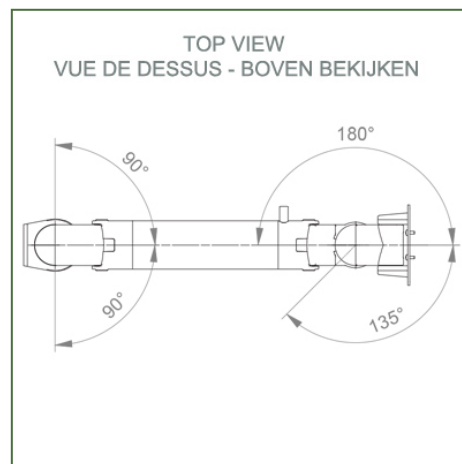
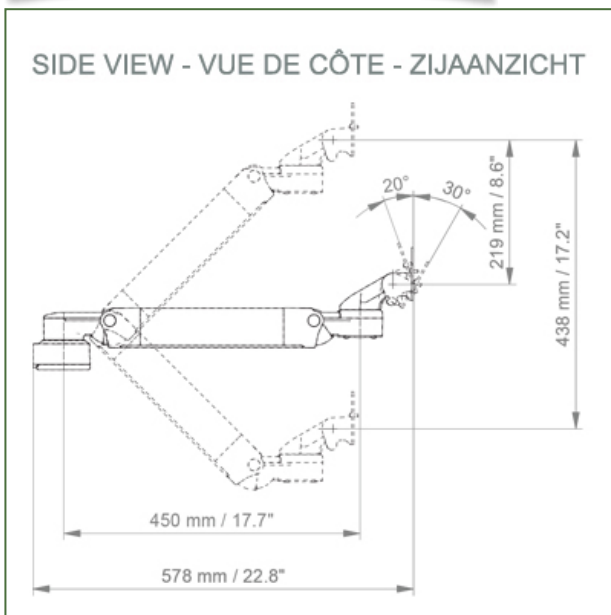
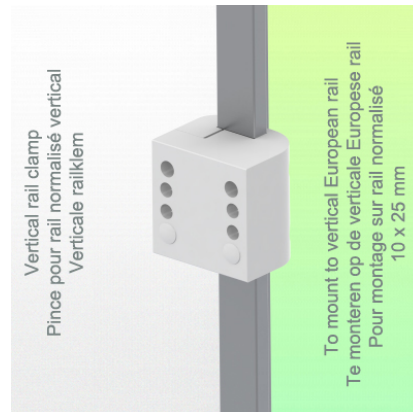
### Technical specifications:

- \* Integral cable entry \* Equipotential bonding \* This 450 mm Horizontal Arm with gas spring simply adjusts to the desired height and is fixed. It has a safety stop button for height adjustment, allowing the arm to remain in the chosen position.
- \* The head of this arm is compatible with Philips Intellivue MP2/X2/X3 series monitors.\* Suitable for monitors weighing up to 0-3,5 Kg.
- \* Monitor tilt: 30° down and 20° up \* Monitor rotation: 135° right, 180° left.
- \* Arm rotation: 90° right, 190° left \* Height adjustment: 438 mm
- \* Vertical Din Rail Mounting \* Total length: 578 mm \* All our medical arms comply with CE, ROHS, Medical Grade, Regulations MDD 93/42 ECC. \* Colour: RAL 5013 cobalt blue and RAL 9016 traffic white \* Warranty: 5 years

## Technical specifications

Part Number: WM 260.150X

Height-adjustable medical arm, length 450 mm, for monitoring Philips Intellivue MP2/X2/X3 Séries, Vertical Din rail mounting. Supported weight balancing range from 0 to 3,5 Kg. mounting without power cable hook



**Monitor adaptation:** Philips Intellivue MP2/X2/X3 series

**Height adjustment:** Slow-release spring, parallel adapter for constant viewing angle

**Colour:** Decorative parts: RAL 5013 cobalt blue

**Aluminium parts:** RAL 9016 traffic white

**Max. load capacity:** 22 kg

**Monitor adaptation max. load:** 18 Kg

**Balance scale on this medical arm:** 0 - 3,5 Kg

**Product weight:** 3.5 Kg

**Safety:** Has a safety stop button for height adjustment, which allows the medical arm to remain in the chosen position.

**Compatibility:** Monitoring Philips Intellivue MP2/X2/X3 Series

**Presentation**

**Part Number: WM 260.150X**

Height-adjustable medical arm, length 450 mm, for monitoring Philips Intellivue MP2/X2/X3 Séries, Vertical Din rail mounting. Supported weight balancing range from 0 to 3,5 Kg. mounting without power cable hook



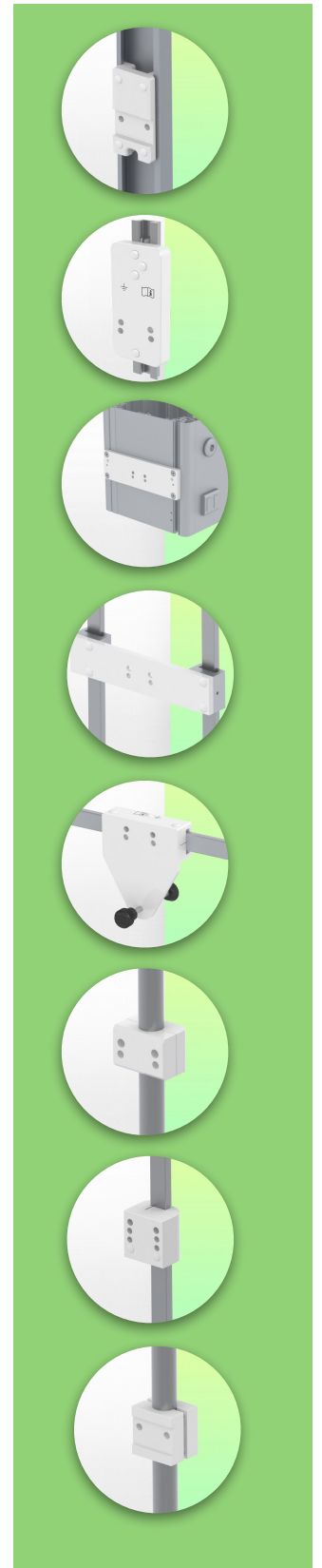
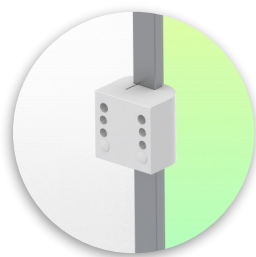
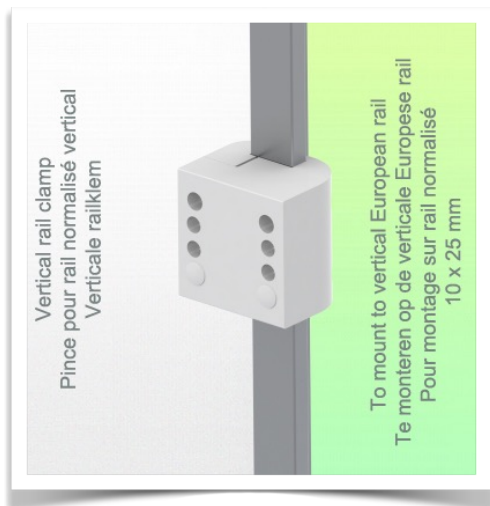
**Installation information - Din Rail Vertical**

**Part Number: WM 260.150X**

Height-adjustable medical arm, length 450 mm, for monitoring Philips Intellivue MP2/X2/X3 Séries, Vertical Din rail mounting. Supported weight balancing range from 0 to 3,5 Kg. mounting without power cable hook

**Din Rail Vertical:**

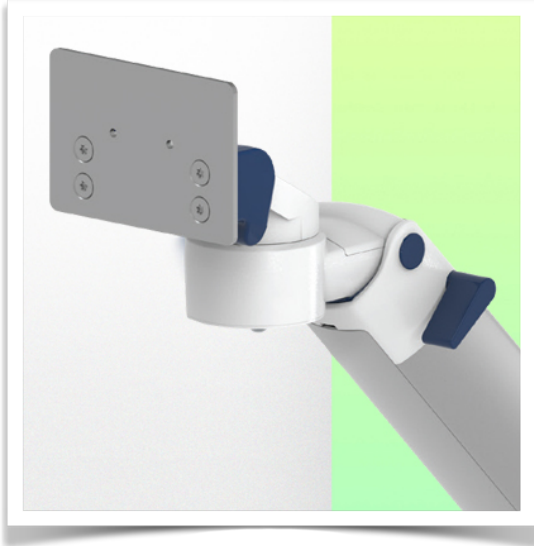
Fixed standard rail clamp For mounting on horizontal standard rail 10 x 25 mm



**Presentation**

**Part Number: WM 260.150X**

Height-adjustable medical arm, length 450 mm, for monitoring Philips Intellivue MP2/X2/X3 Séries, Vertical Din rail mounting. Supported weight balancing range from 0 to 3,5 Kg. mounting without power cable hook



**Adaptation monitoring Philips Intellivue MP2 / X2 / X3 series**

All our medical arms can be fitted with this adaptation, some illustrations of which can be found here.

