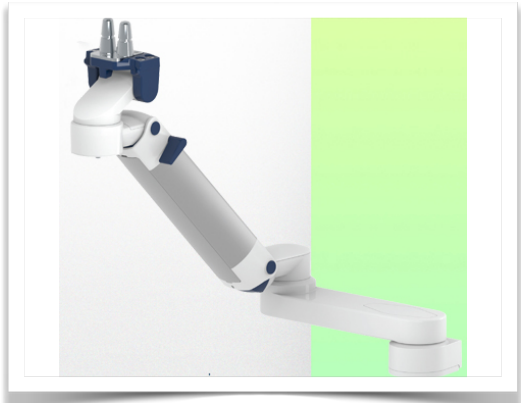


**Presentation**

**Part Number: WM 260.176**

**Extended Height Adjustable Arm 761 mm, for monitoring Philips Intellivue Séries, wall-mounted on a vertical sliding rail. Supported weight balancing range from 4 to 9 Kg.**

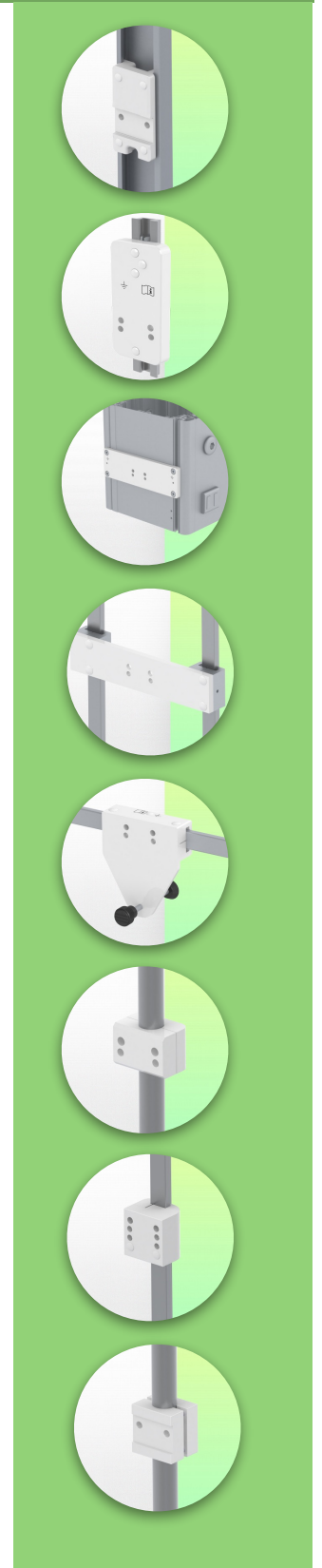


**Extended Height Adjustable Arm 761 mm, for monitoring Philips Intellivue Séries, wall-mounted on a vertical sliding rail. Supported weight balancing range from 4 to 9 Kg.**

Full cable integration and infection prevention thanks to easy-to-clean surfaces make this arm ideal for emergency care areas. Height adjustment for ergonomic, customised positioning of the monitor. This Horizontal Double Medical Arm with gas-lift height adjustment enables the monitor to be fixed, oriented and adjusted perfectly. It is coated with an anti-microbial agent for hygiene and cleaning down to the smallest detail. Its modern design has been specially developed for healthcare environments.

**Technical specifications:**

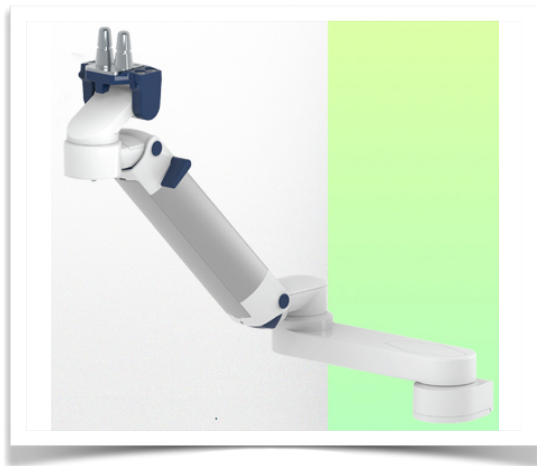
\* Integrated cable passage \* Equipotential bonding \* Fixing on optional Vertical Wall Slide Rail, of which several lengths are available (480 mm - 720 mm - 960 mm - 1200 mm). These wall rails can be easily cut to size. All cables also run through the wall rail. (See Options on the following pages) \* This gas-operated Double Arm simply slides into the wall rail, then adjusts to the required height and locks into place. It has a safety stop button for height adjustment, which allows the arm to remain in the chosen position. \* The head of this arm is fitted for Philips Intellivue Series \* Compatible with monitors weighing no more than 4-9 Kg \* Monitor tilt: 21° down and 20° up \* Screen rotation: 130° right, 180° left. \* Arm rotation: 90° right, 90° left \* Height adjustment: 438 mm \* Total length 761 mm \* All our medical arms comply with CE, ROHS, Medical Grade, Regulations MDD 93/42 ECC. \* Colour: RAL 5013 cobalt blue and RAL 9016 traffic white \* Warranty: 5 years



## Technical specifications

Part Number: WM 260.176

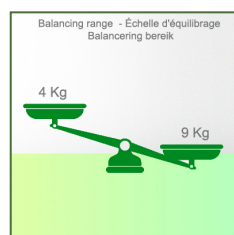
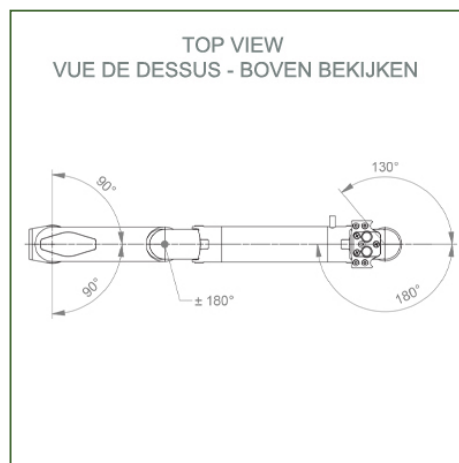
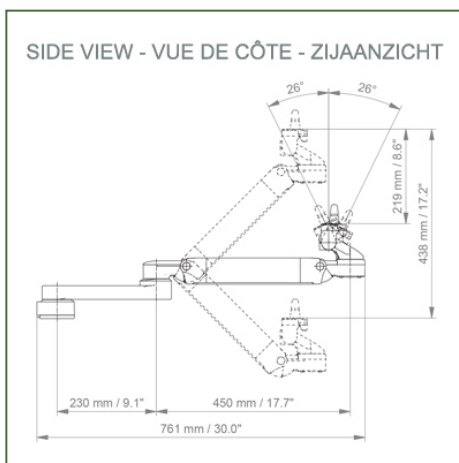
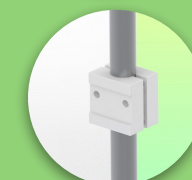
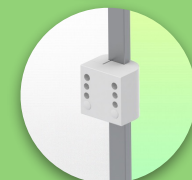
Extended Height Adjustable Arm 761 mm, for monitoring Philips Intellivue Séries, wall-mounted on a vertical sliding rail. Supported weight balancing range from 4 to 9 Kg.



Adaptateur pour glissière murale verticale  
Adapter for vertical wall channel  
Aapter voor verticaal wandkanaal



Pour montage sur glissière murale  
To mount to wall channel  
Om aan een muur te bevestigen railkanaal



**Monitor adaptation:** Philips Intellivue Series  
**Colour:** Decorative parts: RAL 5013 cobalt blue  
**Aluminium parts:** RAL 9016 traffic white  
**Max. load capacity of support arm:** 22 kg  
**Max. load monitor adaptation:** 18 Kg  
**Balancing scale for this medical arm:** 4 - 9 Kg  
**Product weight:** 4,9 Kg

**Height adjustment:** parallel mechanism for a constant viewing angle

**Safety:** Has a safety stop button for height adjustment, allowing the medical arm to remain in the chosen position.

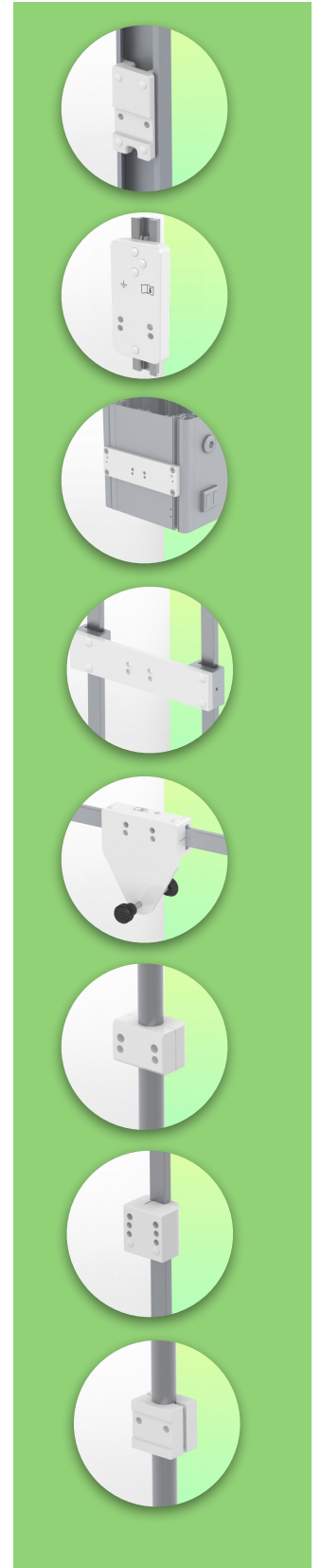
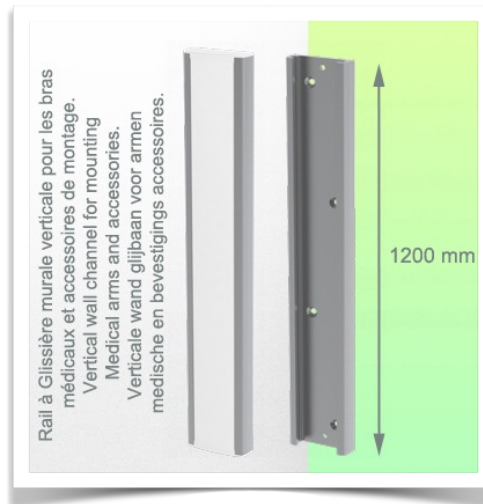
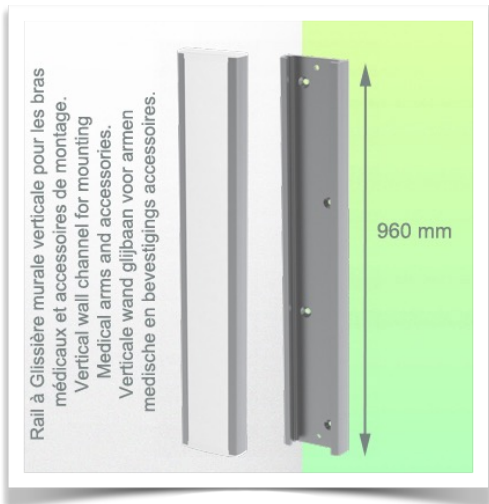
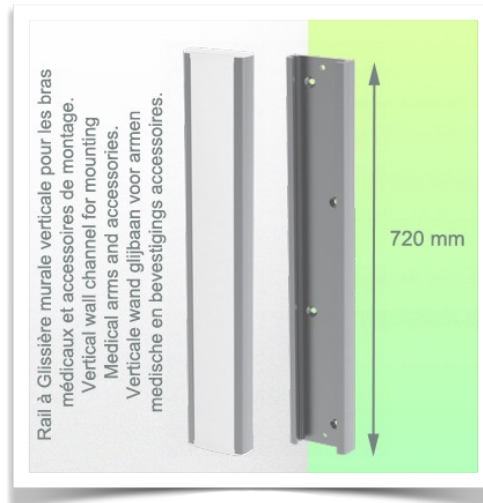
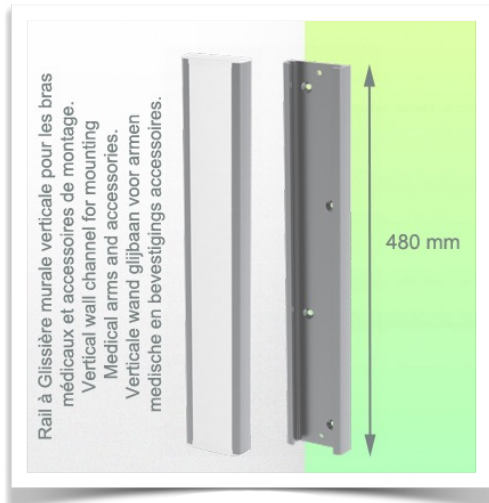
**Installation information - Wall-mounted slide rail**

**Part Number: WM 260.176**

**Extended Height Adjustable Arm 761 mm, for monitoring Philips Intellivue Séries, wall-mounted on a vertical sliding rail. Supported weight balancing range from 4 to 9 Kg.**

**Wall-mounted slide rail:**

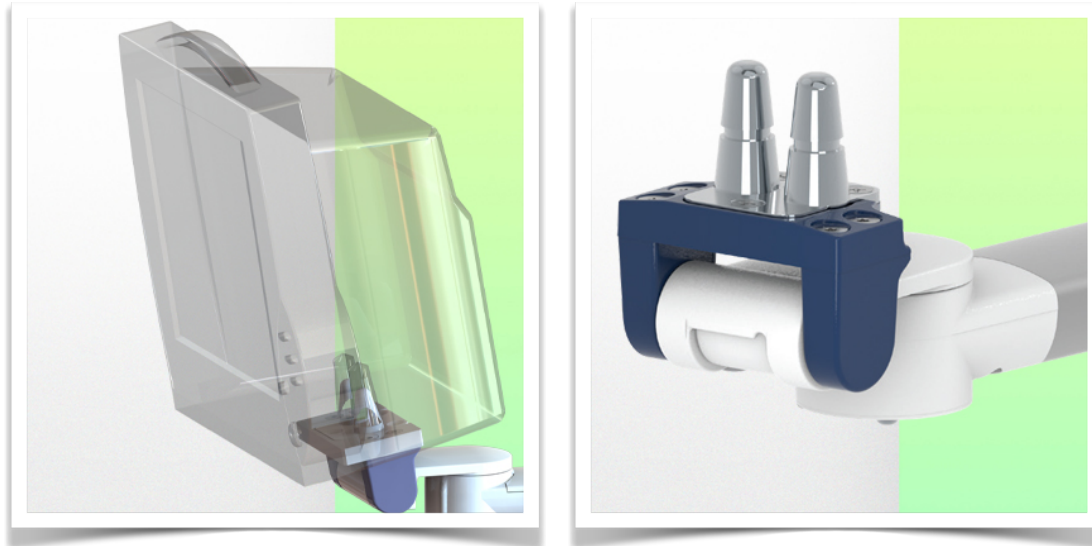
To install this medical arm, you must either use an existing rail in your installation or order one of our slide rails. These are available in standard lengths of 480mm, 720mm, 960mm and 1200mm. Custom lengths are available on request. Slide covers and end caps are supplied with every order.



**Presentation**

**Part Number: WM 260.176**

**Extended Height Adjustable Arm 761 mm, for monitoring Philips Intellivue Séries, wall-mounted on a vertical sliding rail. Supported weight balancing range from 4 to 9 Kg.**



**Adaptation monitoring Philips Intellivue series**

All our medical arms can be fitted with this adaptation, some illustrations of which can be found here.

