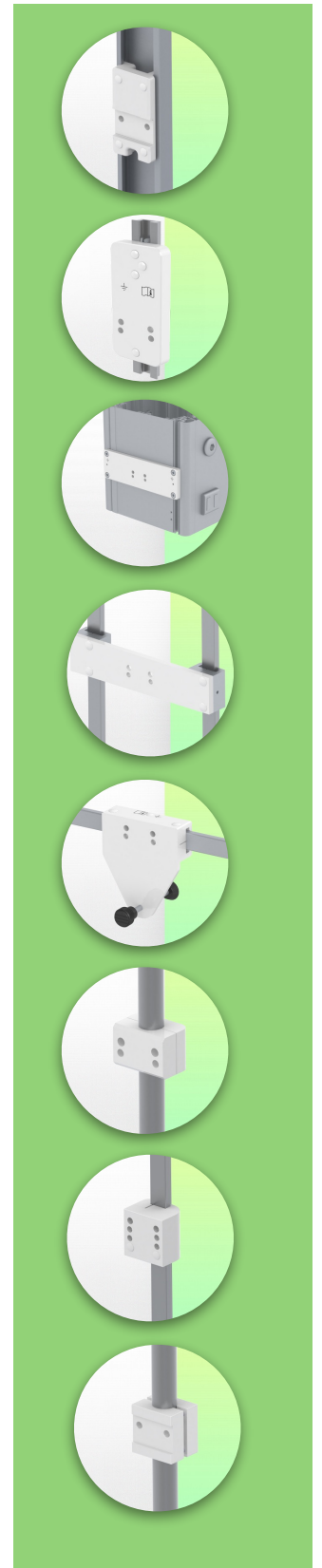
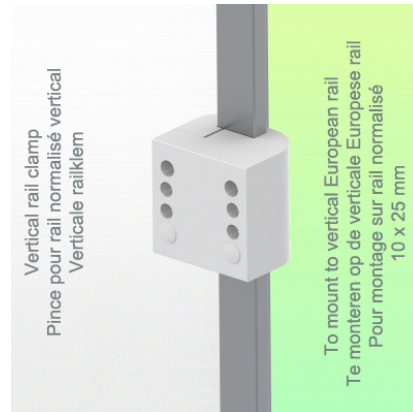
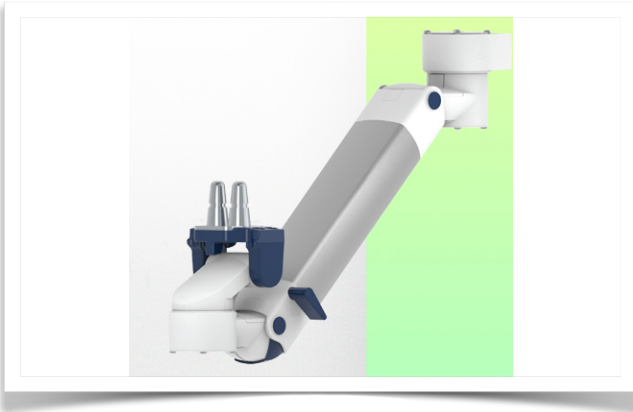


Presentation

Part Number: WM 260.251

Height-adjustable medical arm, length 450 mm, for monitoring Philips Intellivue Séries, Vertical Din rail mounting. Supported weight balancing range from 4 to 9 Kg. Overhead mount.



Height-adjustable medical arm, length 450 mm, for monitoring Philips Intellivue Séries, Vertical Din rail mounting. Supported weight balancing range from 4 to 9 Kg. Overhead mount.

Full cable integration and infection prevention thanks to easy-to-clean surfaces make this arm ideal for emergency care areas. Height adjustment for ergonomic, customised positioning of the monitor. This 450 mm Horizontal Medical Arm with gas-lift height adjustment enables the monitor to be fixed, oriented and adjusted perfectly. It is coated with an anti-microbial agent for hygiene and cleaning down to the smallest detail. Its modern design has been specially developed for healthcare environments.

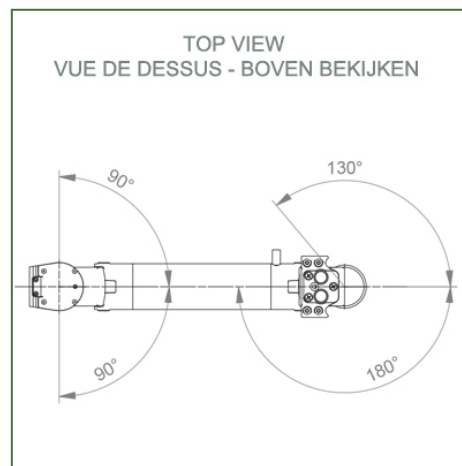
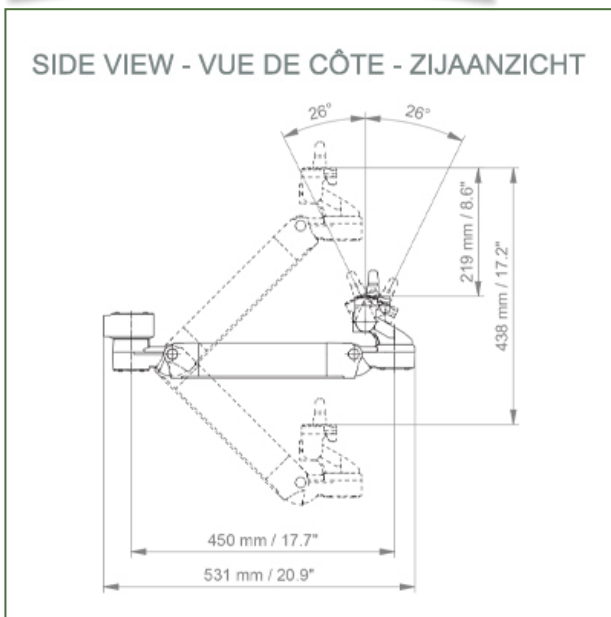
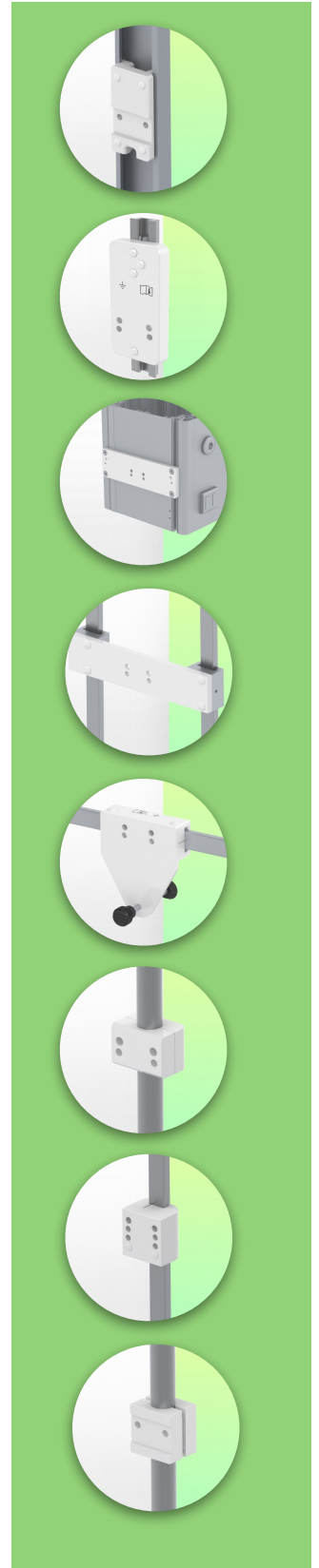
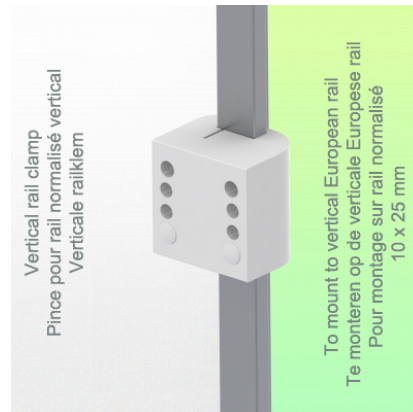
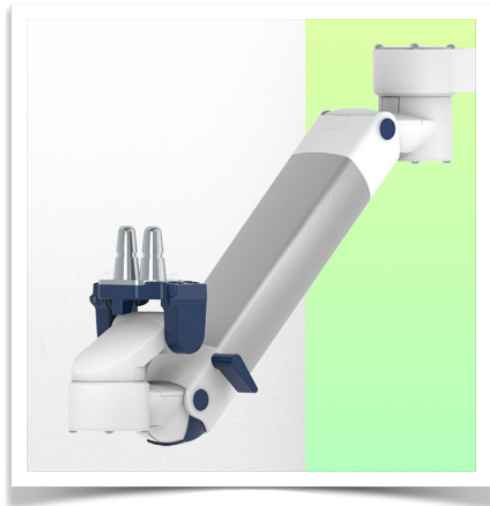
Technical specifications:

- * Integral cable entry * Equipotential bonding * This 450 mm Horizontal Arm with gas spring simply adjusts to the desired height and is fixed. It has a safety stop button for height adjustment, allowing the arm to remain in the chosen position.
- * The head of this arm is compatible with Philips Intellivue Series monitors.
- * Suitable for monitors weighing up to 4-9 Kg. * Monitor tilt: 21° down and 20° up
- * Monitor rotation: 115° right, 115° left. * Arm rotation: 105° right, 105° left
- * Height adjustment: 438 mm * Total length: 531 mm * All our medical arms comply with CE, ROHS, Medical Grade, Regulations MDD 93/42 ECC. * Colour: RAL 5013 cobalt blue and RAL 9016 traffic white * Warranty: 5 years

Technical specifications

Part Number: WM 260.251

Height-adjustable medical arm, length 450 mm, for monitoring Philips Intellivue Séries, Vertical Din rail mounting. Supported weight balancing range from 4 to 9 Kg. Overhead mount.

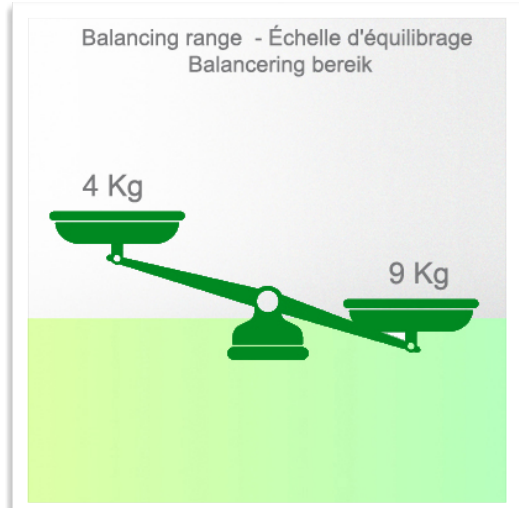
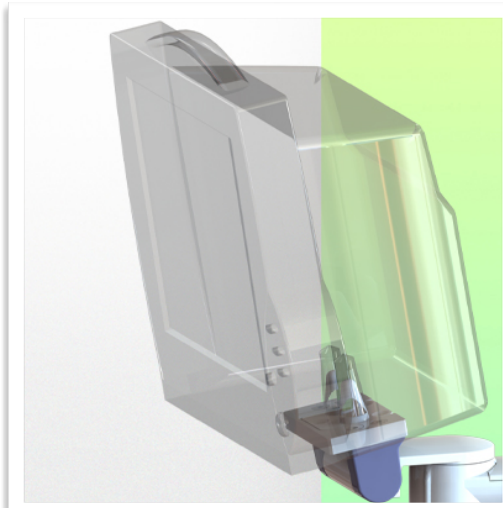
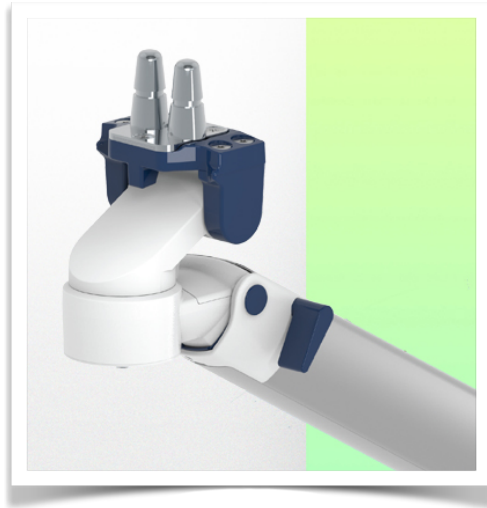
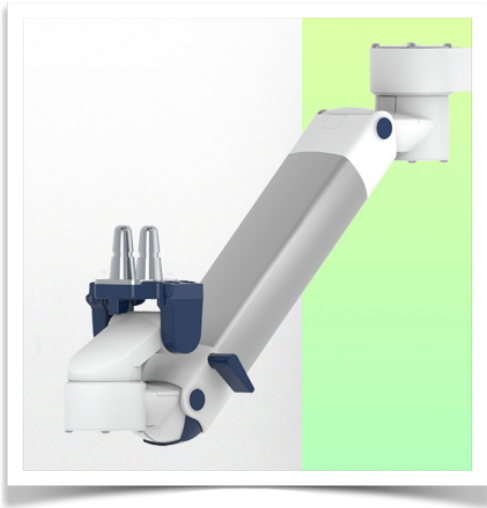


- Monitor adaptation:** Philips Intellivue Series
- Height adjustment:** Slow-release spring, parallel adapter for constant viewing angle
- Colour:** Decorative parts: RAL 5013 cobalt blue
- Aluminium parts:** RAL 9016 traffic white
- Max. load capacity:** 22 kg
- Monitor adaptation max. load:** 18 Kg
- Balance scale on this medical arm:** 4 - 9 Kg
- Product weight:** 3.8 Kg
- Safety:** Has a safety stop button for height adjustment, which allows the medical arm to remain in the chosen position.
- Compatibility:** Monitoring Philips Intellivue Series

Presentation

Part Number: WM 260.251

Height-adjustable medical arm, length 450 mm, for monitoring Philips Intellivue Séries, Vertical Din rail mounting. Supported weight balancing range from 4 to 9 Kg. Overhead mount.



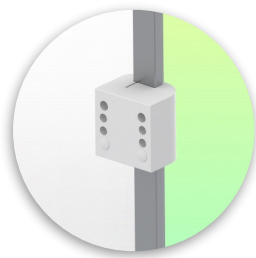
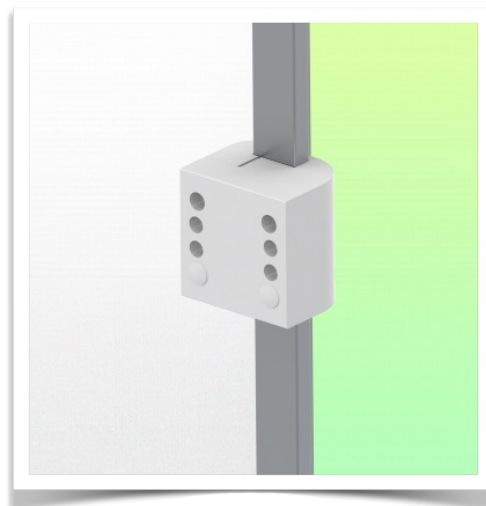
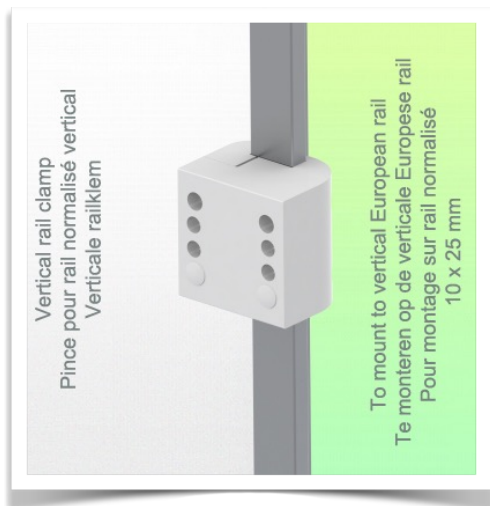
Installation information - Din Rail Vertical

Part Number: WM 260.251

Height-adjustable medical arm, length 450 mm, for monitoring Philips Intellivue Séries, Vertical Din rail mounting. Supported weight balancing range from 4 to 9 Kg. Overhead mount.

Din Rail Vertical:

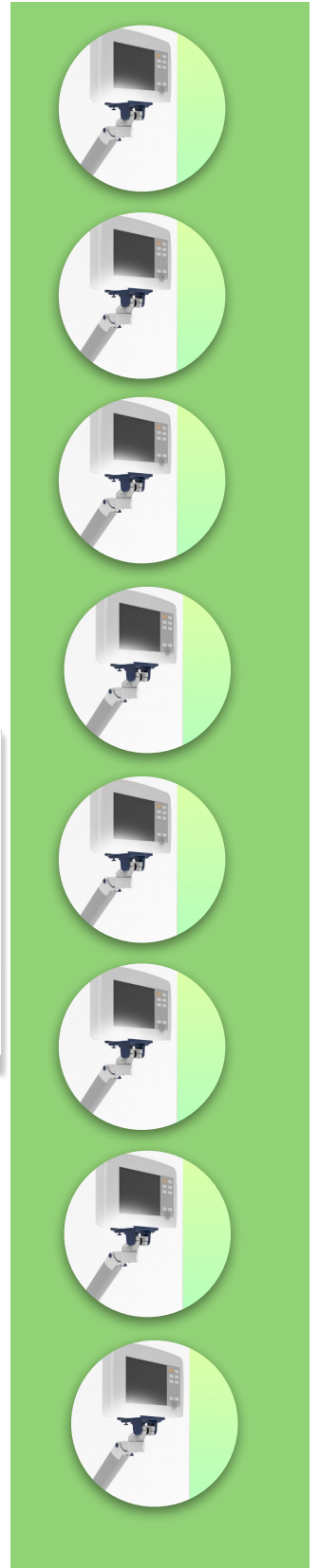
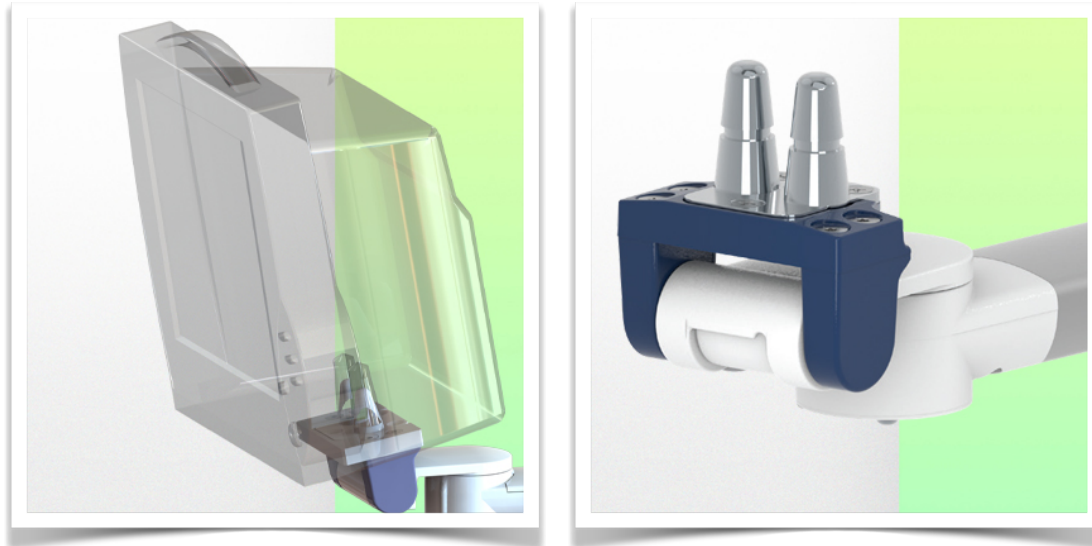
Fixed standard rail clamp For mounting on horizontal standard rail 10 x 25 mm



Presentation

Part Number: WM 260.251

Height-adjustable medical arm, length 450 mm, for monitoring Philips Intellivue Séries, Vertical Din rail mounting. Supported weight balancing range from 4 to 9 Kg. Overhead mount.



Adaptation monitoring Philips Intellivue series

All our medical arms can be fitted with this adaptation, some illustrations of which can be found here.

