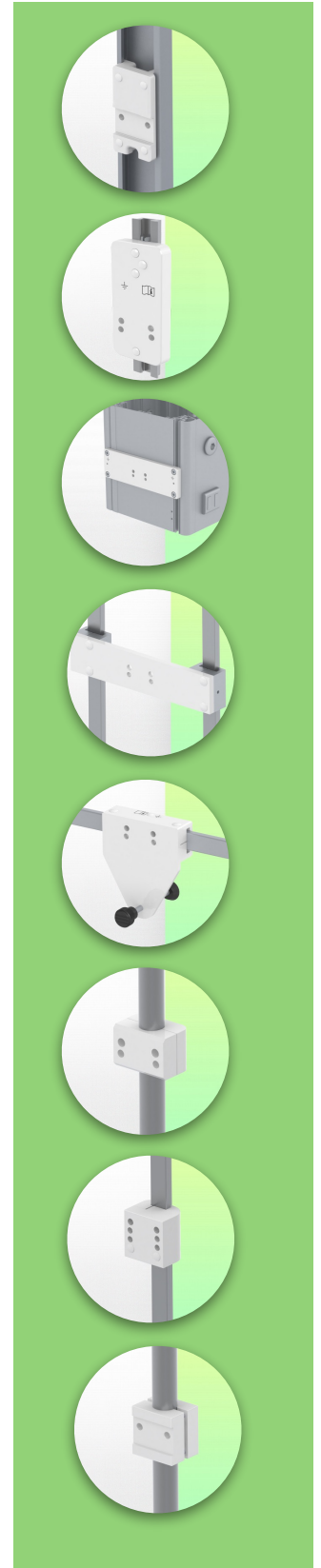
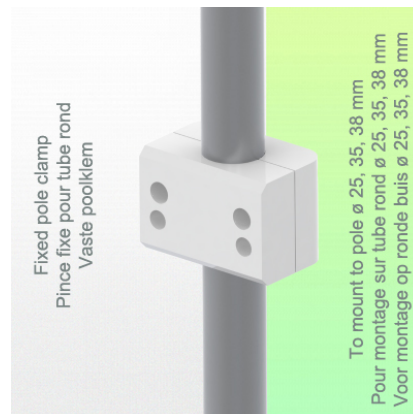
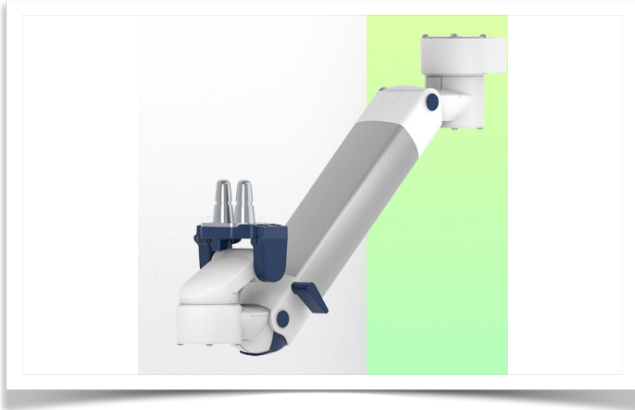


**Presentation**

**Part Number: WM 260.267**

**Height-adjustable medical arm, length 450 mm, for monitoring Philips Intellivue Séries, Mounting on fixed pole diameter 25, 35 and 38 mm. Supported weight balancing range from 7,5 to 13 Kg.**

**Overhead mount**



**Height-adjustable medical arm, length 450 mm, for monitoring Philips Intellivue Séries, Mounting on fixed pole diameter 25, 35 and 38 mm. Supported weight balancing range from 7,5 to 13 Kg. Overhead mount**

Full cable integration and infection prevention thanks to easy-to-clean surfaces make this arm ideal for emergency care areas. Height adjustment for ergonomic, customised positioning of the monitor. This 450 mm Horizontal Medical Arm with gas-lift height adjustment enables the monitor to be fixed, oriented and adjusted perfectly. It is coated with an anti-microbial agent for hygiene and cleaning down to the smallest detail. Its modern design has been specially developed for healthcare environments.

**Technical specifications:**

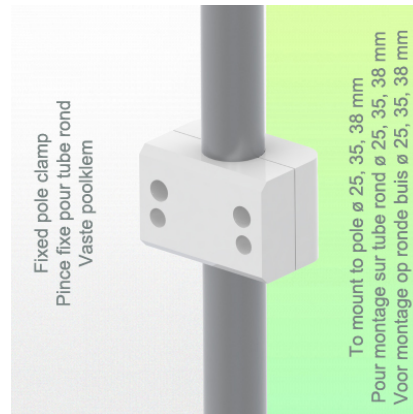
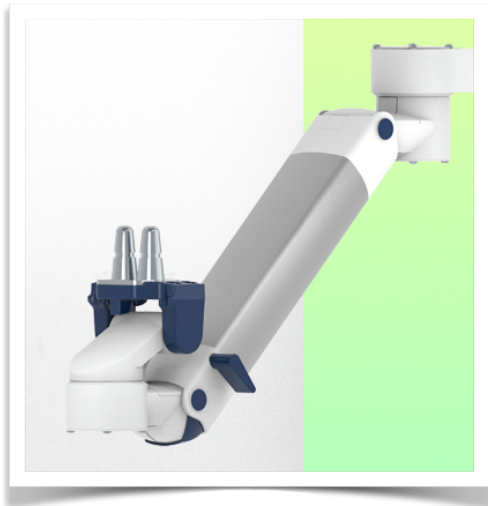
- \* Integral cable entry \* Equipotential bonding \* This 450 mm Horizontal Arm with gas spring simply adjusts to the desired height and is fixed. It has a safety stop button for height adjustment, allowing the arm to remain in the chosen position.
- \* The head of this arm is compatible with Philips Intellivue Series monitors.
- \* Suitable for monitors weighing up to 7,5-13 Kg. \* Monitor tilt: 21° down and 20° up \* Monitor rotation: 115° right, 115° left. \* Arm rotation: 105° right, 105° left
- \* Height adjustment: 438 mm \* Total length: 531 mm \* All our medical arms comply with CE, ROHS, Medical Grade, Regulations MDD 93/42 ECC. \* Colour: RAL 5013 cobalt blue and RAL 9016 traffic white \* Warranty: 5 years

## Technical specifications

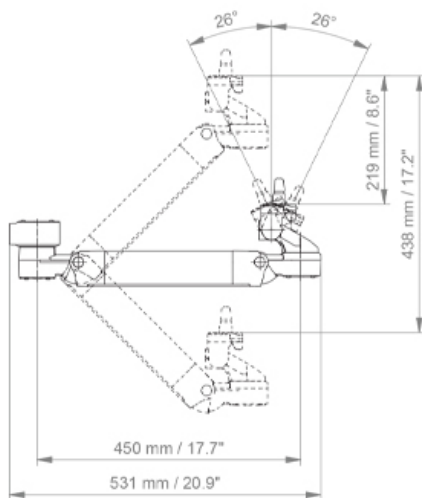
Part Number: WM 260.267

Height-adjustable medical arm, length 450 mm, for monitoring Philips Intellivue Séries, Mounting on fixed pole diameter 25, 35 and 38 mm. Supported weight balancing range from 7,5 to 13 Kg.

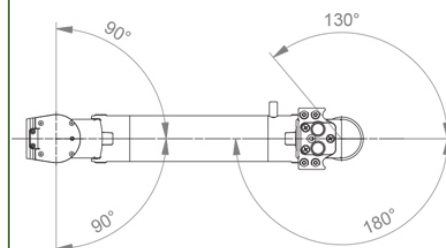
Overhead mount



SIDE VIEW - VUE DE CÔTE - ZIJAAZICHT



TOP VIEW  
VUE DE DESSUS - BOVEN BEKIJKEN



**Monitor adaptation:** Philips Intellivue Series

**Height adjustment:** Slow-release spring, parallel adapter for constant viewing angle

**Colour:** Decorative parts: RAL 5013 cobalt blue

**Aluminium parts:** RAL 9016 traffic white

**Max. load capacity:** 22 kg

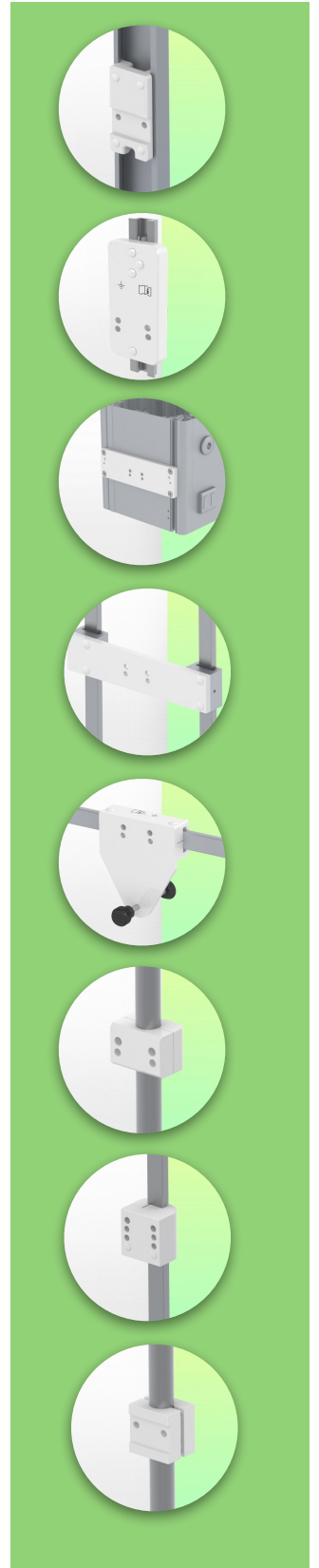
**Monitor adaptation max. load:** 18 Kg

**Balance scale on this medical arm:** 7,5 - 13 Kg

**Product weight:** 3.8 Kg

**Safety:** Has a safety stop button for height adjustment, which allows the medical arm to remain in the chosen position.

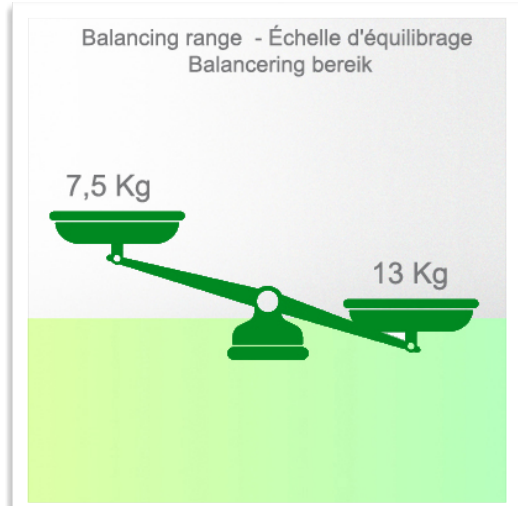
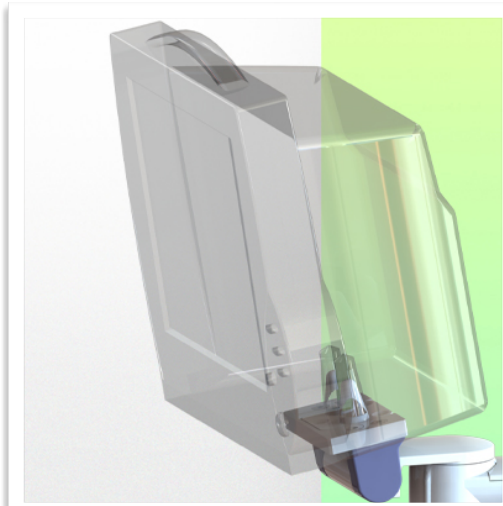
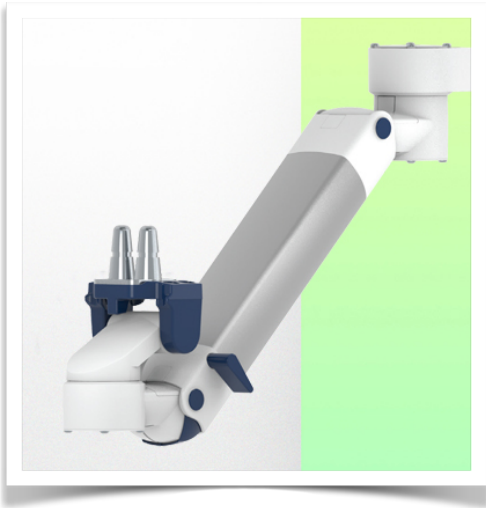
**Compatibility:** Monitoring Philips Intellivue Series



**Presentation**

**Part Number: WM 260.267**

Height-adjustable medical arm, length 450 mm, for monitoring Philips Intellivue Séries, Mounting on fixed pole diameter 25, 35 and 38 mm. Supported weight balancing range from 7,5 to 13 Kg.  
Overhead mount



**Installation information - Fixed pole clamp**

**Part Number: WM 260.267**

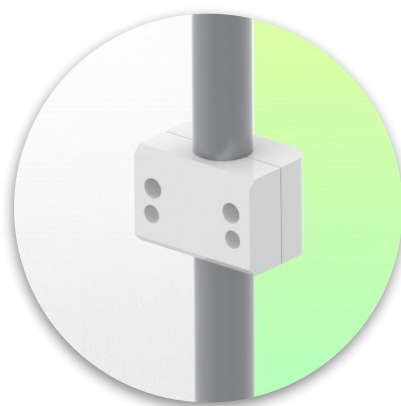
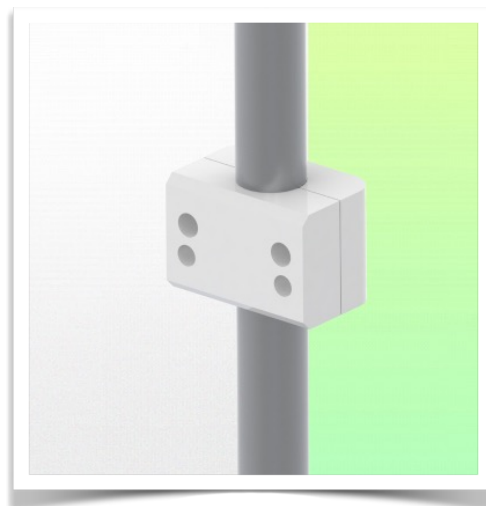
Height-adjustable medical arm, length 450 mm, for monitoring Philips Intellivue Séries, Mounting on fixed pole diameter 25, 35 and 38 mm. Supported weight balancing range from 7,5 to 13 Kg.

Overhead mount

**Fixed pole clamp:**

To mount to pole ø 25, 35, 38 mm

\* Please specify the diameter of the Pole when ordering.

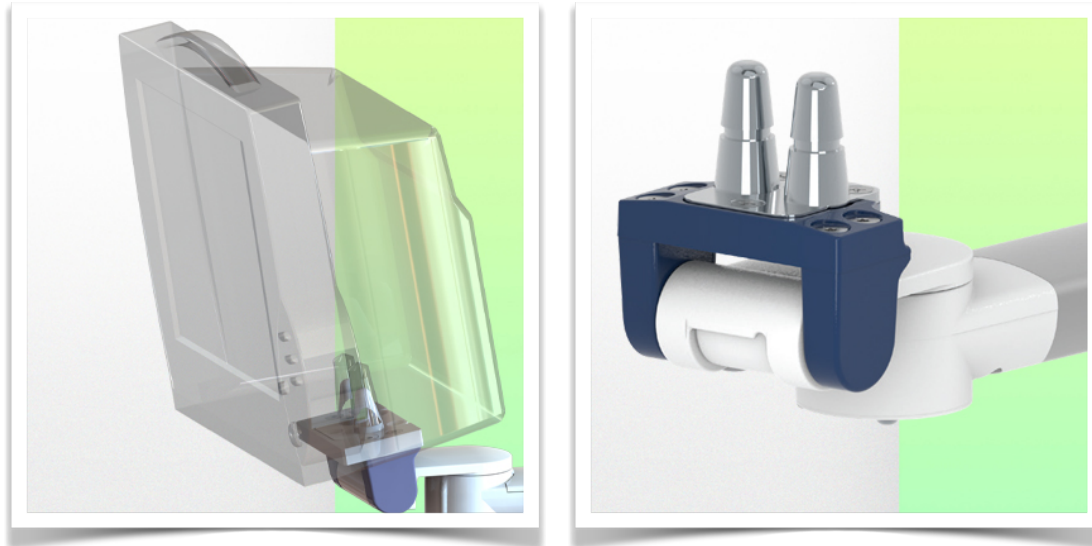


**Presentation**

**Part Number: WM 260.267**

Height-adjustable medical arm, length 450 mm, for monitoring Philips Intellivue Séries, Mounting on fixed pole diameter 25, 35 and 38 mm. Supported weight balancing range from 7,5 to 13 Kg.

Overhead mount



**Adaptation monitoring Philips Intellivue series**

All our medical arms can be fitted with this adaptation, some illustrations of which can be found here.

