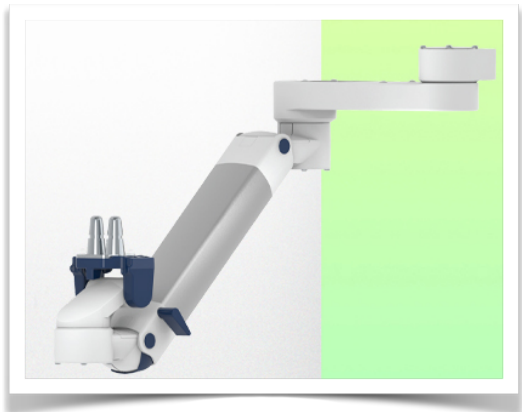


Presentation

Part Number: WM 260.296

**Extended Height Adjustable Arm for monitoring Philips Intellivue Séries, Horizontal Din rail mounting. Supported weight balancing range from 4 to 9 Kg. Overhead mount**



**Extended Height Adjustable Arm for monitoring Philips Intellivue Séries, Horizontal Din rail mounting. Supported weight balancing range from 4 to 9 Kg. Overhead mount**

Full cable integration and infection prevention thanks to easy-to-clean surfaces make this arm ideal for emergency care areas. Height adjustment for ergonomic, customised positioning of the monitor. This Horizontal Double Medical Arm with gas-lift height adjustment enables the monitor to be fixed, oriented and adjusted perfectly. It is coated with an anti-microbial agent for hygiene and cleaning down to the smallest detail. Its modern design has been specially developed for healthcare environments.

#### Technical specifications:

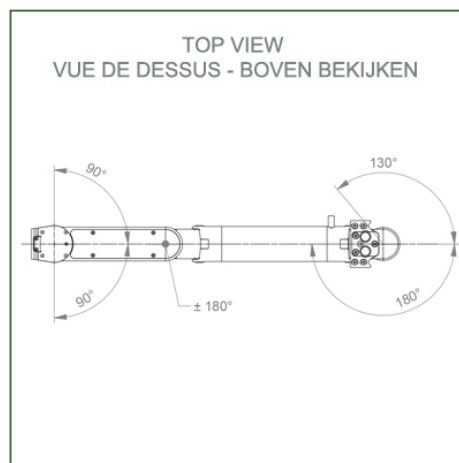
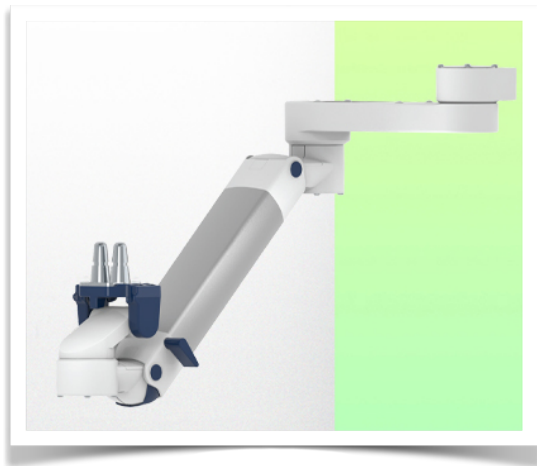
\* Integrated cable passage \* Equipotential bonding \* Fixing on the chosen adapter solution\* This gas-operated Double Arm simply slides into the column rail, then adjusts to the required height and locks into place. It has a safety stop button for height adjustment, which allows the arm to remain in the chosen position. \* The head of this arm is fitted for Philips Intellivue Series \* Compatible with monitors weighing no more than 4-9 Kg \* Monitor tilt: 21° down and 20° up \* Screen rotation: 130° right, 180° left. \* Arm rotation: 90° right, 90° left \* Height adjustment: 438 mm \* Total length 761 mm \* All our medical arms comply with CE, ROHS, Medical Grade, Regulations MDD 93/42 ECC. \* Colour: RAL 5013 cobalt blue and RAL 9016 traffic white \* Warranty: 5 years



## Technical specifications

Part Number: WM 260.296

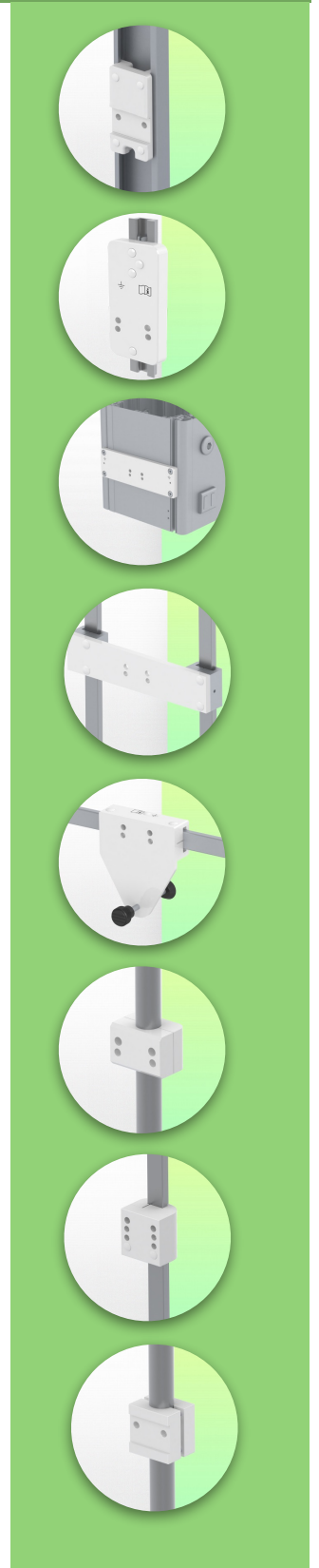
Extended Height Adjustable Arm for monitoring Philips Intellivue Séries, Horizontal Din rail mounting. Supported weight balancing range from 4 to 9 Kg. Overhead mount



**Monitor adaptation:** Philips Intellivue Series  
**Colour:** Decorative parts: RAL 5013 cobalt blue  
 Aluminium parts: RAL 9016 traffic white  
**Max. load capacity of support arm:** 22 kg  
**Max. load monitor adaptation:** 18 Kg  
**Balancing scale for this medical arm:** 4 - 9 Kg  
**Product weight:** 4,9 Kg

**Height adjustment:** parallel mechanism for a constant viewing angle

**Safety:** Has a safety stop button for height adjustment, allowing the medical arm to remain in the chosen position.



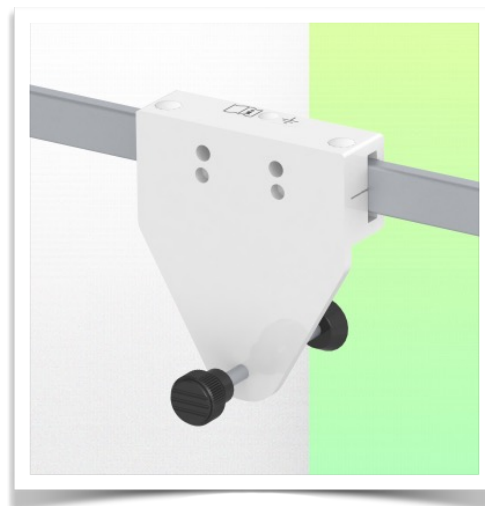
**Installation information - Adapter Din Rail Horizontal**

**Part Number: WM 260.296**

**Extended Height Adjustable Arm for monitoring Philips Intellivue Séries, Horizontal Din rail mounting. Supported weight balancing range from 4 to 9 Kg. Overhead mount**

**Din Rail Horizontal:**

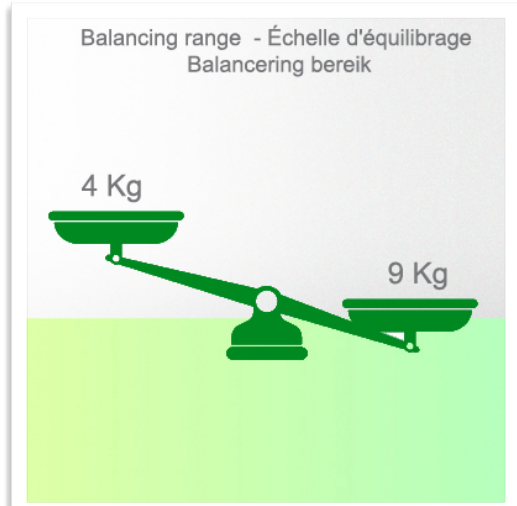
Fixed standard rail clamp For mounting on horizontal standard rail 10 x 25, 8 x 35, 10 x 30, 10 x 50 mm



Presentation

Part Number: WM 260.296

Extended Height Adjustable Arm for monitoring Philips Intellivue Séries, Horizontal Din rail mounting. Supported weight balancing range from 4 to 9 Kg. Overhead mount

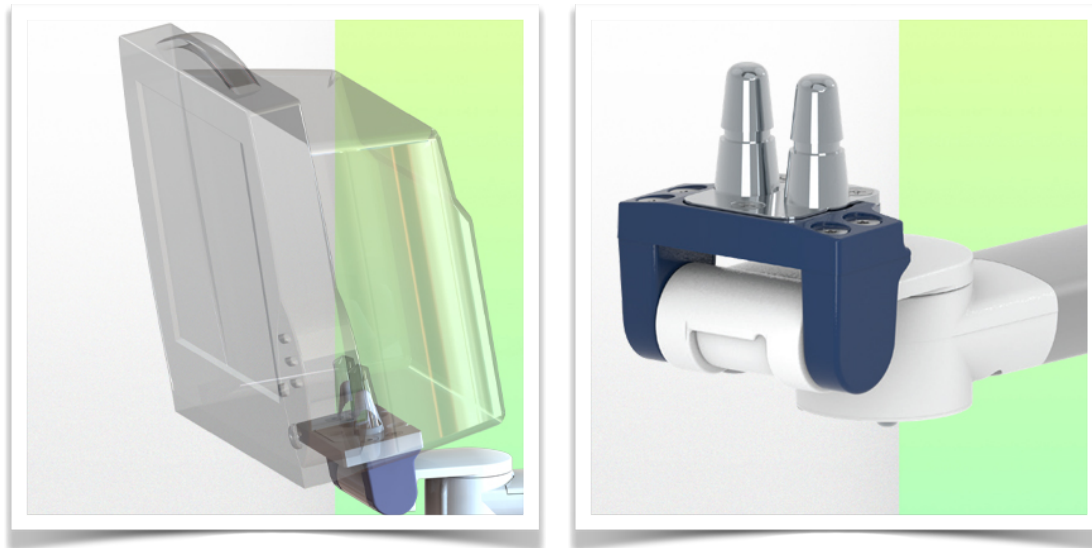




**Presentation**

**Part Number: WM 260.296**

**Extended Height Adjustable Arm for monitoring Philips Intellivue Series, Horizontal Din rail mounting. Supported weight balancing range from 4 to 9 Kg. Overhead mount**



**Adaptation monitoring Philips Intellivue series**

All our medical arms can be fitted with this adaptation, some illustrations of which can be found here.

