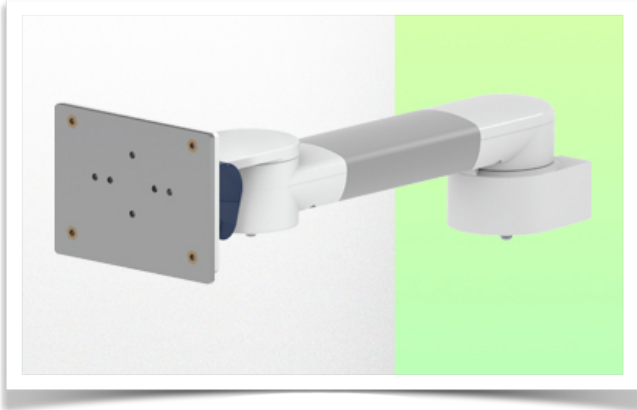


**Presentation**

**Part Number: WM 270.100**

**300 mm Swivel Horizontal Medical Arm for Philips Rack Flexible Module Server, wall-mounted on vertical sliding rail.**



**300 mm Swivel Horizontal Medical Arm for Philips Rack Flexible Module Server, wall-mounted on vertical sliding rail.**

This 300 mm Horizontal Swivel Arm for Philips FMS allows the FMS Rack to be fixed, oriented and adjusted perfectly. It is coated with an anti-microbial agent to ensure hygiene and cleaning down to the smallest detail. Its modern design has been specially developed for healthcare environments.

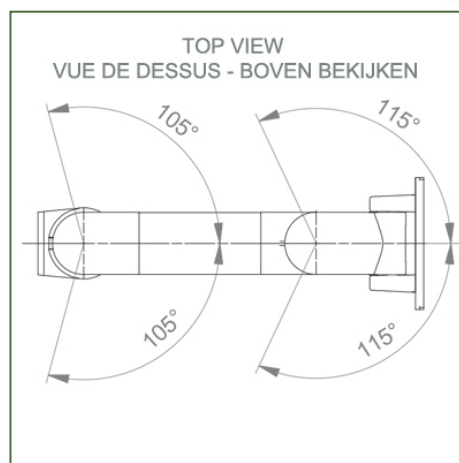
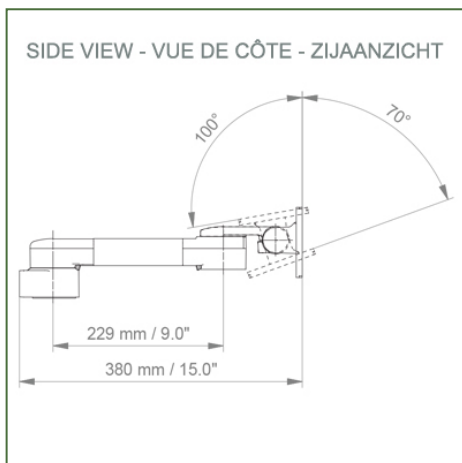
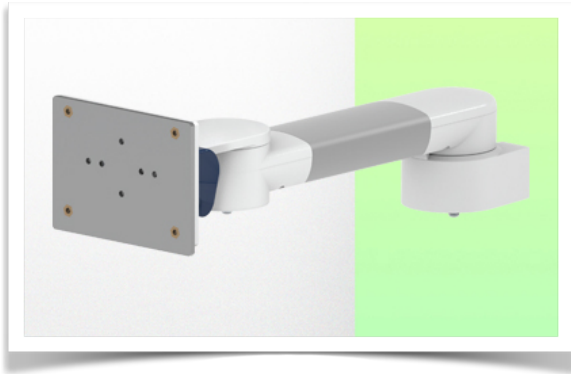
**Technical specifications:**

- \* Integrated cable management
- \* Mounting on optional Vertical Wall Rail, available in a range of lengths (480 mm - 720 mm - 960 mm - 1200 mm). These wall rails can be easily cut to size. All cables also run through the wall rail. (See Option on following pages)
- \* This 300 mm Horizontal Arm simply slides into the wall rail, then adjusts to the required height and locks in place. It has no height adjustment
- \* The head of this arm complies with the Philips FMS Rack mounting standard, weighing no more than 18 Kg.
- \* Rack tilt: 70° down and 100° up \* Rack rotation: 115° right, 115° left.
- \* Arm rotation: 105° right, 105° left.
- \* Total length: 380 mm Colour: RAL 5013 cobalt blue and RAL 9016 traffic white
- \* Warranty: 5 years

**Technical specifications**

**Part Number: WM 270.100**

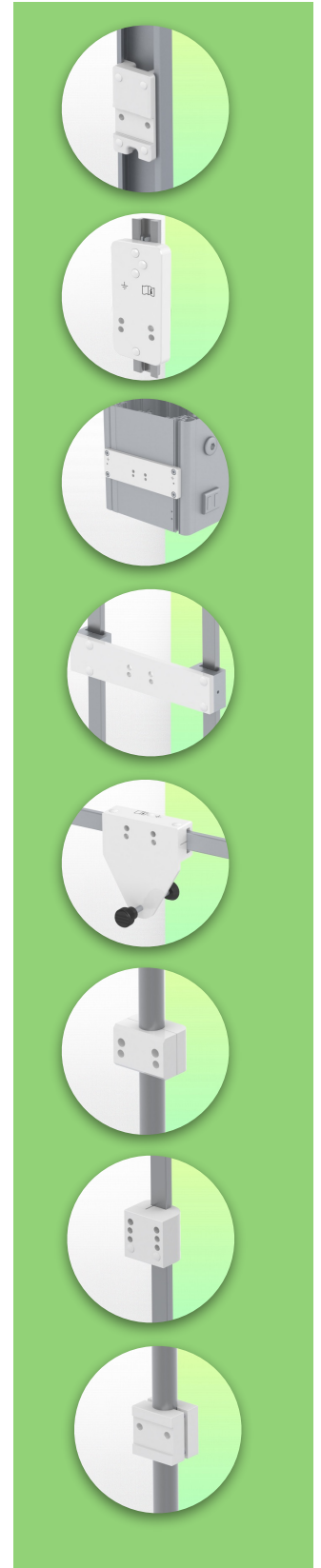
**300 mm Swivel Horizontal Medical Arm for Philips Rack Flexible Module Server, wall-mounted on vertical sliding rail.**



- Arm fitting:** Philips FMS
- Colour:** Decorative parts: RAL 5013 cobalt blue
- Aluminium parts:** RAL 9016 traffic white
- Max. load capacity of support arm:** 18 kg
- Arm fitting max. load:** 18 Kg
- Product weight:** 1,7 Kg

**Product strengths:**

Non-height-adjustable arm. Swivel arms and extended swivel arms offer full cable integration and easy cleaning for infection control in all critical care areas of the clinical environment. Our 5-year guarantee ensures reliable, trouble-free and maintenance-free operation. The swivel function at the point of attachment and the tilt and swivel function of the monitor adaptation provide optimum positioning of your unit. The extended swivel arm is a two-part arm with a central pivot point between the two arm sections. All bottom-mounted monitors have the safety feature of a 20° tilt stop.



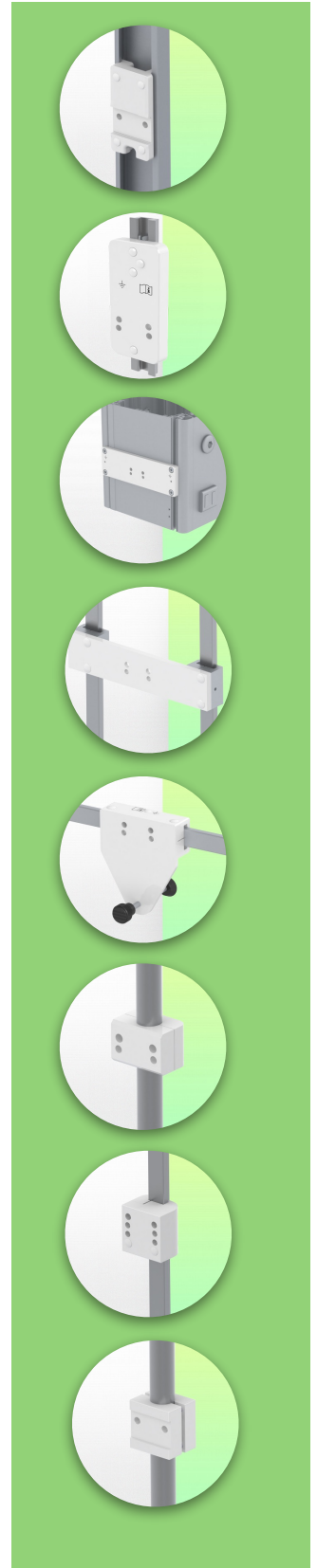
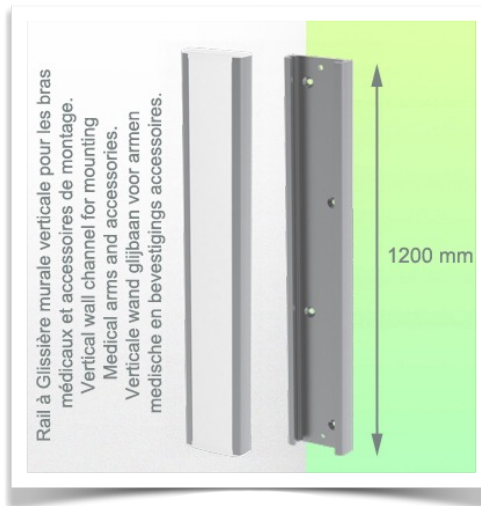
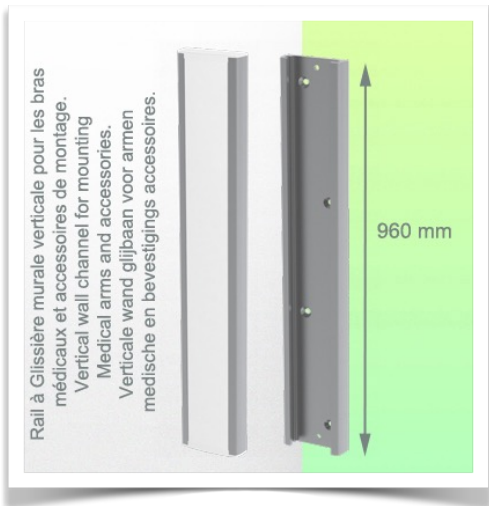
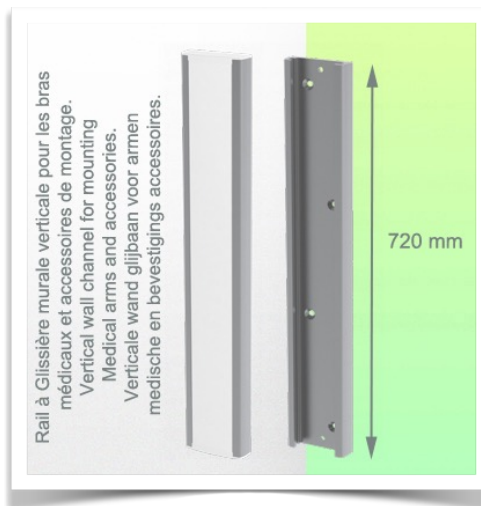
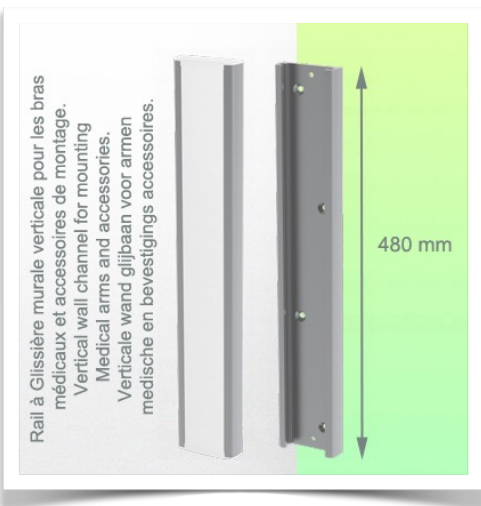
**Installation information - Wall-mounted slide rail**

**Part Number: WM 270.100**

**300 mm Swivel Horizontal Medical Arm for Philips Rack Flexible Module Server, wall-mounted on vertical sliding rail.**

**Wall-mounted slide rail:**

To install this medical arm for monitoring, you must either use an existing rail in your installation or order one of our slide rails. These are available in standard lengths of 480mm, 720mm, 960mm and 1200mm. Custom lengths are available on request. Slide covers and end caps are supplied with every order.



**Presentation**

**Part Number: WM 270.100**

**300 mm Swivel Horizontal Medical Arm for Philips Rack Flexible Module Server, wall-mounted on vertical sliding rail.**



**Adaptation Philips Rack Module Server series**

All our medical arms can be fitted with this adaptation

