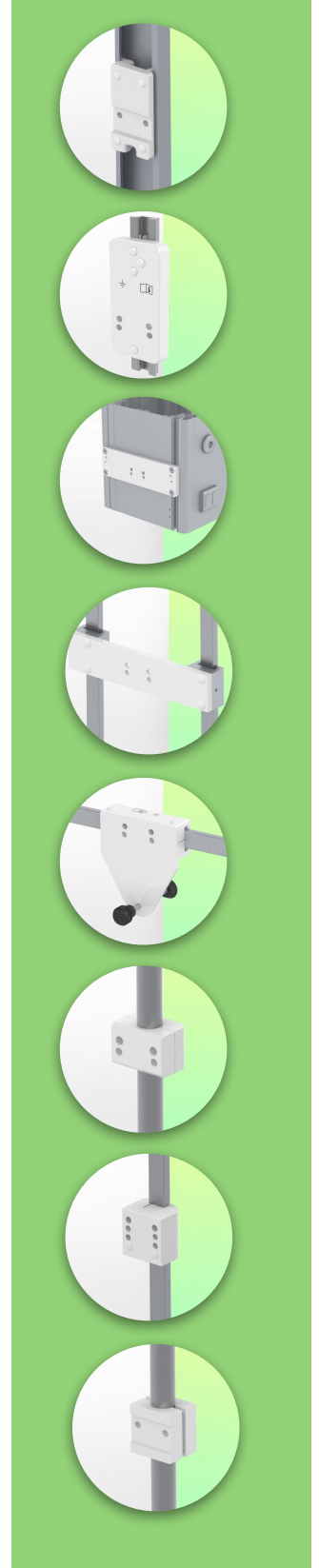
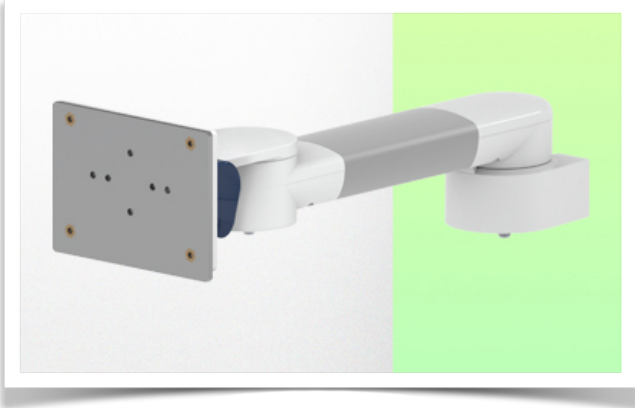


Presentation

Part Number: WM 270.116

300 mm Swivel Horizontal Medical Arm for Philips Rack Flexible Module Server, Mounting on Amico medical device pendants and headwalls.



300 mm Swivel Horizontal Medical Arm for Philips Rack Flexible Module Server, Mounting on Amico medical device pendants and headwalls.

This 300 mm Horizontal Swivel Arm for Philips FMS allows the FMS Rack to be fixed, oriented and adjusted perfectly. It is coated with an anti-microbial agent to ensure hygiene and cleaning down to the smallest detail. Its modern design has been specially developed for healthcare environments.

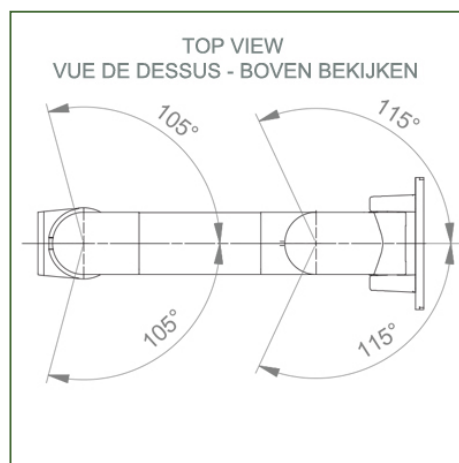
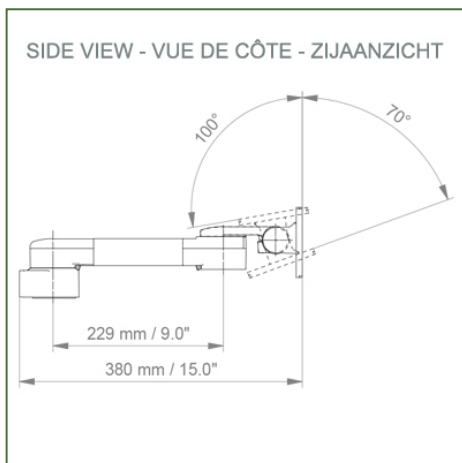
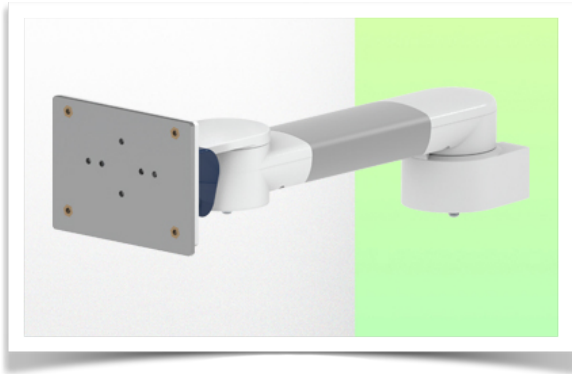
Technical specifications:

- * Integrated cable management
- * Mounting on Amico medical device pendants and headwalls
- * This 300 mm arm simply pinches on the pole and adjusts to the desired height and fixed.
- * It has no height adjustment
- * The head of this arm complies with the Philips FMS Rack mounting standard, weighing no more than 18 Kg.
- * Rack tilt: 70° down and 100° up * Rack rotation: 115° right, 115° left.
- * Arm rotation: 105° right, 105° left.
- * Total length: 380 mm
- * Colour: RAL 5013 cobalt blue and RAL 9016 traffic white
- * Warranty: 5 years

Technical specifications

Part Number: WM 270.116

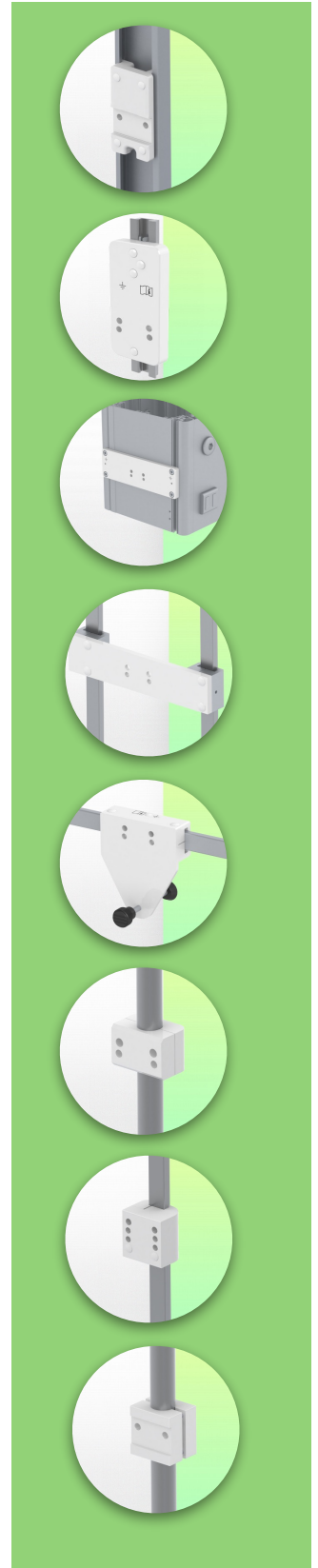
300 mm Swivel Horizontal Medical Arm for Philips Rack Flexible Module Server, Mounting on Amico medical device pendants and headwalls.



- Arm fitting:** Philips FMS
- Colour:** Decorative parts: RAL 5013 cobalt blue
- Aluminium parts:** RAL 9016 traffic white
- Max. load capacity of support arm:** 18 kg
- Arm fitting max. load:** 18 Kg
- Product weight:** 1,7 Kg

Product strengths:

Non-height-adjustable arm. Swivel arms and extended swivel arms offer full cable integration and easy cleaning for infection control in all critical care areas of the clinical environment. Our 5-year guarantee ensures reliable, trouble-free and maintenance-free operation. The swivel function at the point of attachment and the tilt and swivel function of the monitor adaptation provide optimum positioning of your unit. The extended swivel arm is a two-part arm with a central pivot point between the two arm sections. All bottom-mounted monitors have the safety feature of a 20° tilt stop.



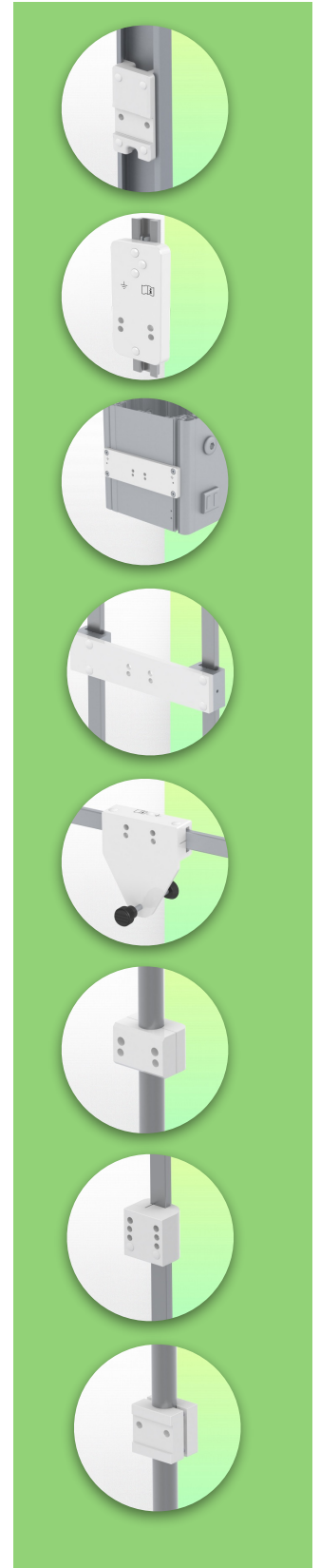
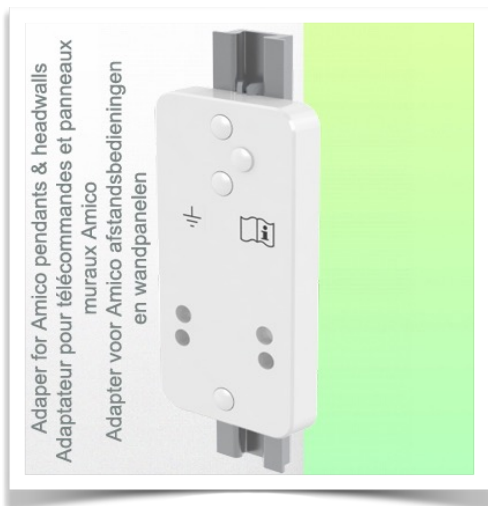
Installation information - Adapter Amico

Part Number: WM 270.116

300 mm Swivel Horizontal Medical Arm for Philips Rack Flexible Module Server, Mounting on Amico medical device pendants and headwalls.

Adapter Amico:

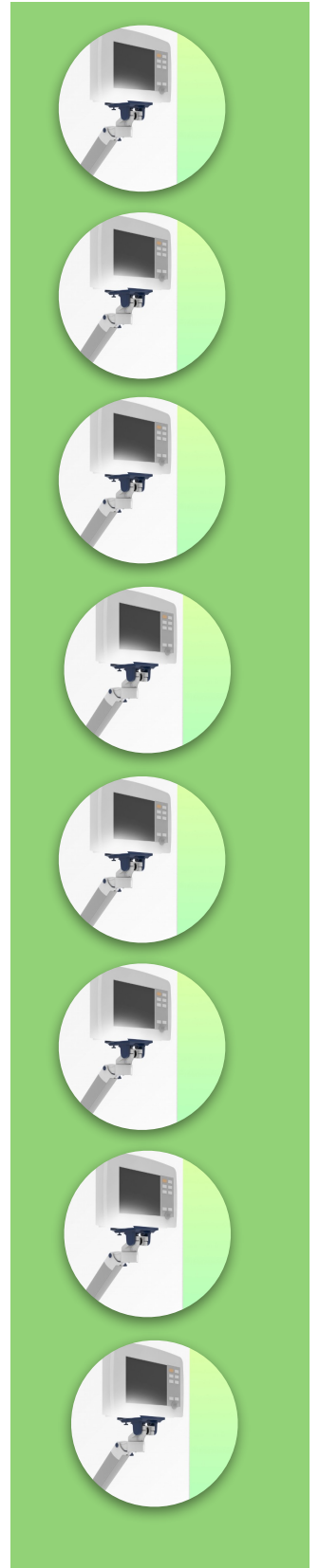
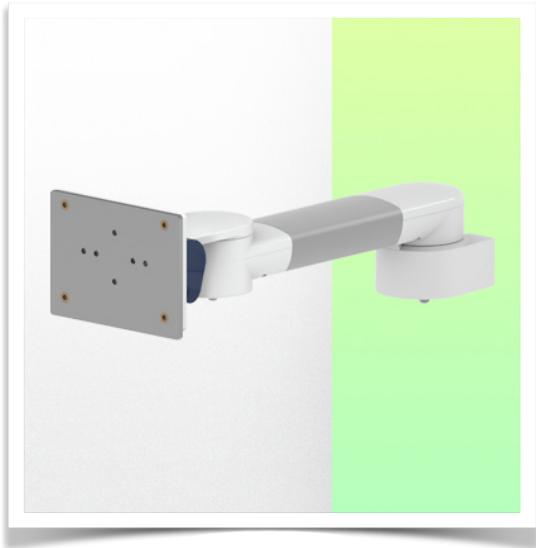
Mounting on Amico medical device pendants and headwalls



Presentation

Part Number: WM 270.116

**300 mm Swivel Horizontal Medical Arm for Philips Rack Flexible Module Server,
Mounting on Amico medical device pendants and headwalls.**



Adaptation Philips Rack Module Server series

All our medical arms can be fitted with this adaptation

