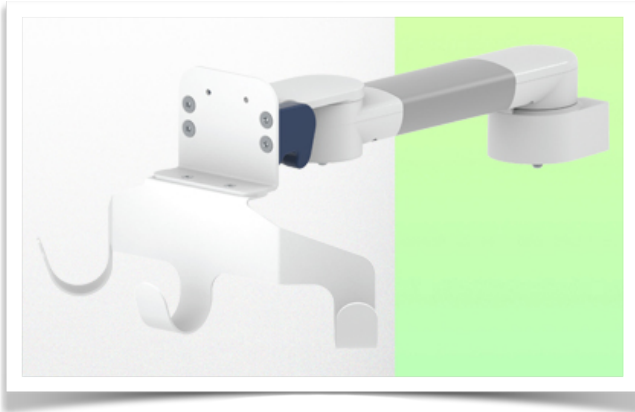


**Presentation**

**Part Number: WM 280.106**

**300 mm Horizontal Medical Arm for Monitoring Philips Intellivue MP2/X2/X3 Séries, Table column mounting. mounting with power cable hook**



Cette colonne possède deux rails de fixation pour les différents éléments qui y seront fixés. (1 rail à l'avant de la colonne, 1 rail à l'arrière)

This column has two fixing rails for the different elements that will be fixed to it (1 rail at the front of the column, 1 rail at the back)

Deze zuil heeft twee bevestigingsrails voor de verschillende elementen die eraan bevestigd zullen worden (1 rail aan de voorkant van de zuil, 1 rail aan de achterkant)

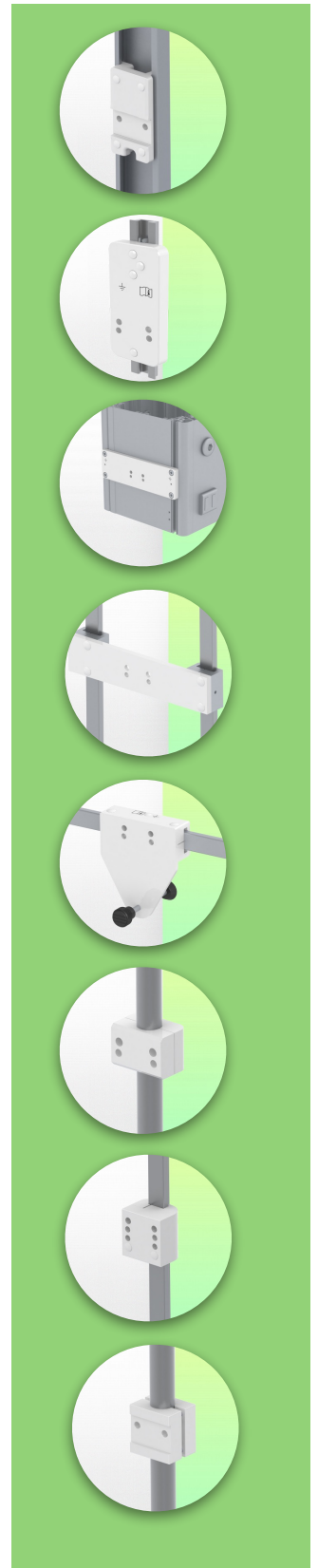


**300 mm Horizontal Medical Arm for Monitoring Philips Intellivue MP2/X2/X3 Séries, Table column mounting. mounting with power cable hook**

This 300 mm Horizontal Arm allows the monitor to be fixed, oriented and adjusted perfectly. It is coated with an anti-microbial agent for hygiene and cleaning down to the smallest detail. Its modern design has been specially developed for healthcare environments.

**Technical specifications:**

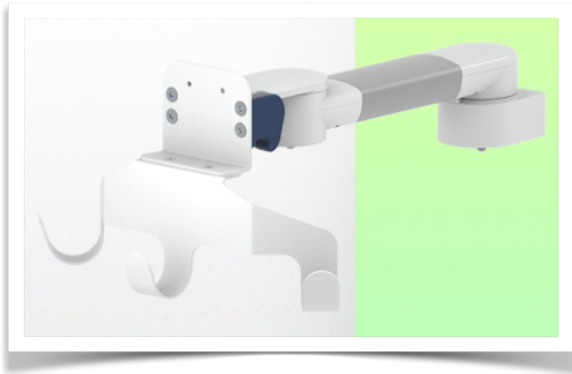
- \* Optional table column mounting, with several heights available (300 - 500 mm). These columns can be easily cut to size. All cables also pass through the column (see option on following pages)
- \* This 300 mm Horizontal Arm simply slides into the column rail, then adjusts to the required height and locks in place. It has no height adjustment
- \* The head of this arm complies with the mounting standard for Philips Intellivue series monitors weighing up to 18 Kg.
- \* Monitor tilt: 23° down and 90° up
- \* Monitor rotation: 115° right, 115° left.
- \* Arm rotation: 105° right, 105° left.
- \* Total length: 462 mm Colour: RAL 5013 cobalt blue and RAL 9016 traffic white
- \* Warranty: 5 years



**Technical specifications**

**Part Number: WM 280.106**

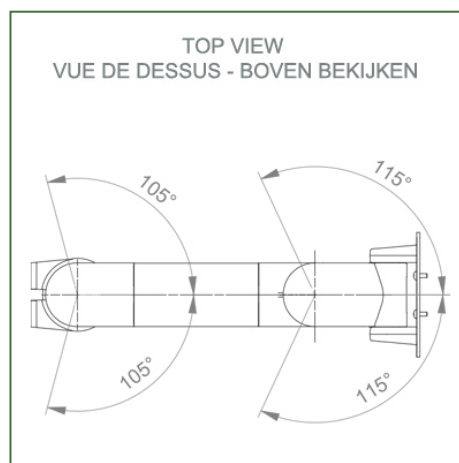
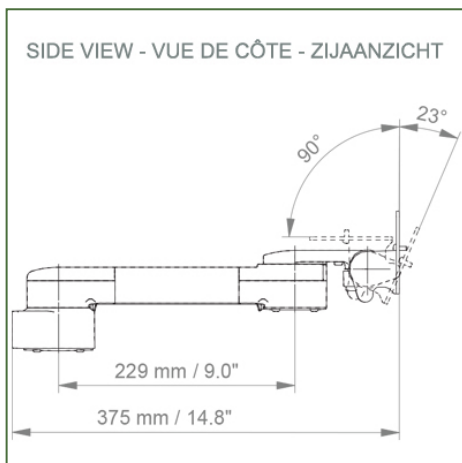
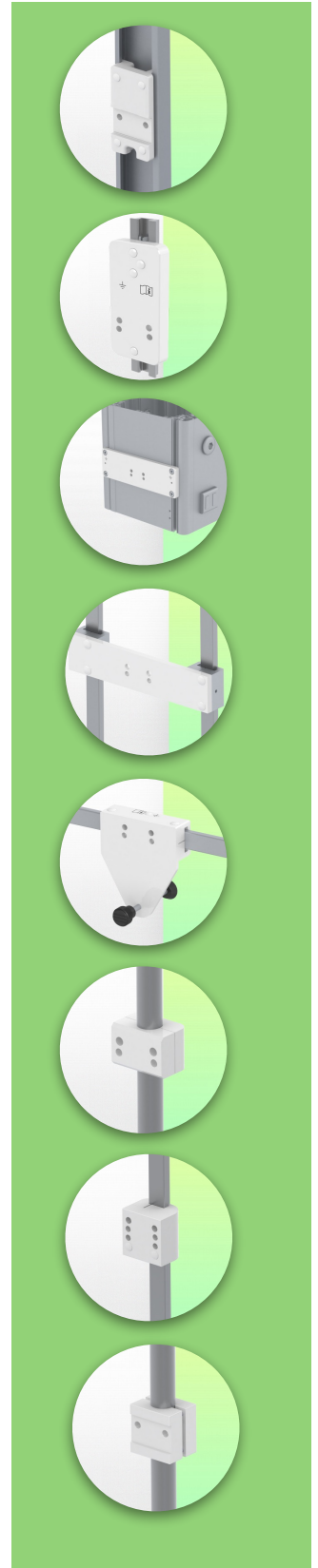
**300 mm Horizontal Medical Arm for Monitoring Philips Intellivue MP2/X2/X3 Séries, Table column mounting. mounting with power cable hook**



Cette colonne possède deux rails de fixation pour les différents éléments qui y seront fixés. (1 rail à l'avant de la colonne, 1 rail à l'arrière)

This column has two fixing rails for the different elements that will be fixed to it (1 rail at the front of the column, 1 rail at the back)

Deze zuil heeft twee bevestigingsrails voor de verschillende elementen die eraan bevestigd zullen worden (1 rail aan de voorkant van de zuil, 1 rail aan de achterkant)



**Monitor fitting:** Philips Intellivue MP2/X2/X3 Series

**Color: Decorative parts:** RAL 5013 cobalt blue

**Aluminium parts:** RAL 9016 traffic white

**Max. load capacity of support arm:** 18 kg

**Monitor fitting max. load:** 18 Kg

**Product weight:** 2,2 Kg

**Product strengths:**

Non-height-adjustable arm. Swivel arms and extended swivel arms offer full cable integration and easy cleaning for infection control in all critical care areas of the clinical environment. Our 5-year guarantee ensures reliable, trouble-free and maintenance-free operation. The swivel function at the point of attachment and the tilt and swivel function of the monitor adaptation provide optimum positioning of your unit. The extended swivel arm is a two-part arm with a central pivot point between the two arm sections. All bottom-mounted monitors have the safety feature of a 20° tilt stop.

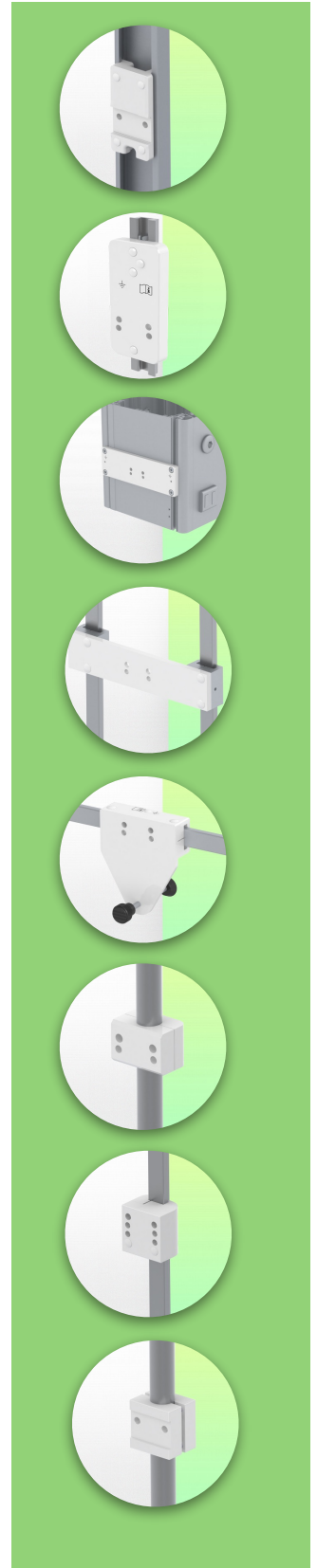
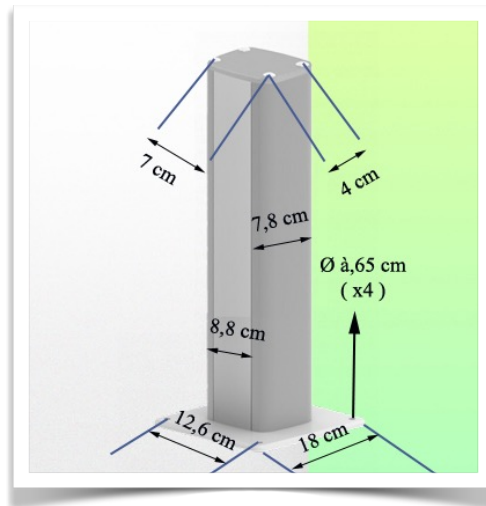
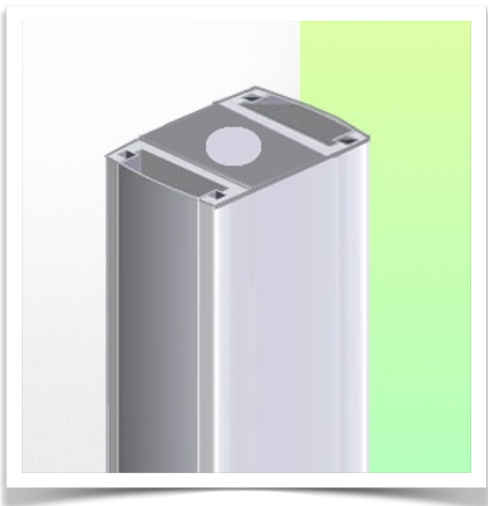
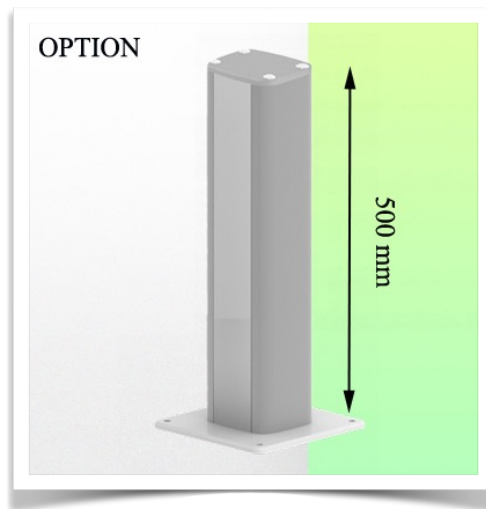
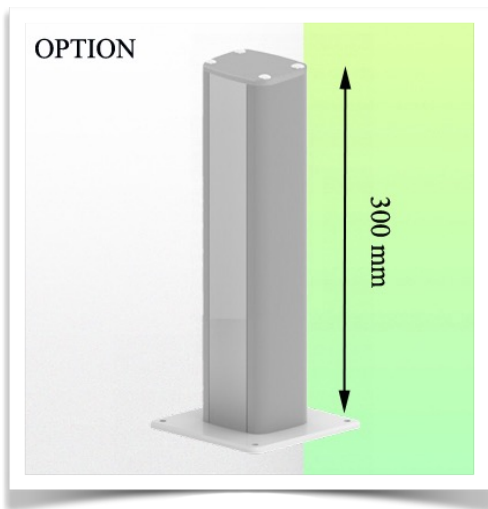
**Installation information - Column slide rail**

**Part Number: WM 280.106**

**300 mm Horizontal Medical Arm for Monitoring Philips Intellivue MP2/X2/X3 Séries, Table column mounting. mounting with power cable hook**

**Table column:**

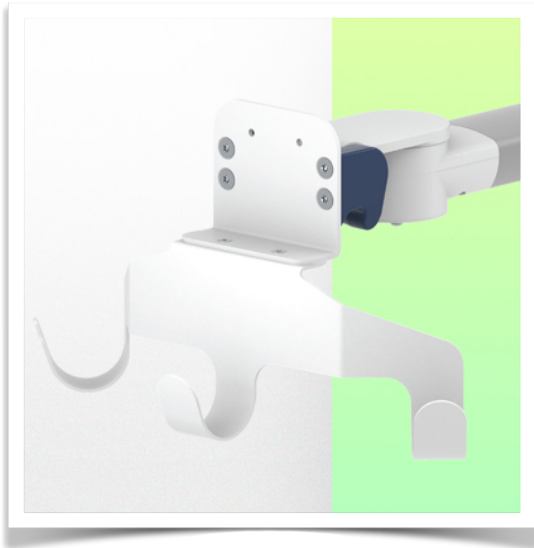
To install this medical arm, you need to use one of our medical columns. These are available in standard heights of 500 mm and 300 mm. Custom heights are available on request. Slide covers and end caps are supplied with every order.



Presentation

Part Number: WM 280.106

300 mm Horizontal Medical Arm for Monitoring Philips Intellivue MP2/X2/X3 Séries, Table column mounting. mounting with power cable hook



**Philips Intellivue MP 2 / X2 / X3 series monitoring adapter**

All our medical arms can be fitted with this adaptation, some illustrations of which can be found here

